



Fertilizer Applicator

NutriMax® Liquid Applicator
1800 & 2600 Models

Serial Number B40640100 & Higher

Parts Catalog
Part No. 415258

Refer to Part No. 415257 for Operator's Manual

Parts

**Please visit www.unverferth.com/parts/ for the most current parts listing.
Please visit Operator's Manual #415257 for complete operation, maintenance, service and set up information.**

80'/88'/90' TOOLBAR COMPONENTS

Tongue Components - 80'/88'/90' Units & Steerable Hitch Option for 60' Units	5-6
Center Toolbar, Latch, & Front Frame Components - 80'/88'/90' Units	5-10
Center Toolbar to Main Wing Components - For 80'/88'/90' Toolbars	5-12
Wing Mast Assembly Components - 80'/88'/90' Toolbars	5-14
Main Wing Components - 80'/88'/90' Toolbars	5-16
Main Wing to Outer Wing Components - 80'/88'/90' Toolbars	5-18
Outer Wing Components - 80'/88'/90' Toolbars	5-20
Extension Wing Components 88'/90' Toolbars	5-21
6 Section Manifold Components - 80'/88'/90' Toolbars	5-22
Main Wing Extension Components - For 80'-30" & 90'-30" Only	5-24
Hydraulic Hoses to Main Wing Tilt Cylinders - For 80'/88'/90' Toolbars	5-25
Hydraulic Components (Except Hydraulic Hoses) - 80'/88'/90' Toolbars	5-26

60'/66' TOOLBAR COMPONENTS

Tongue Components - 60'/66' Units without Steerable Hitch Option	5-28
Center Toolbar, Latch, & Front Frame Components	
60'/66' Units Without Steerable Hitch	5-30
Center Toolbar to Main Wing Components - For 60'/66' Toolbars	5-32
Wing Mast Assembly Components - 60'/66' Toolbars	5-34
Main Wing Components - 60'/66' Toolbars	5-36
Main Wing to Outer Wing Components - 60'/66' Toolbars	5-38
Outer Wing Components - 60'/66' Toolbars	5-40
Extension Wing Components 66' Toolbar	5-41
Add-On Coulter Packages - 60'/66' Toolbars	5-42
5 Section Manifold Components - 60'/66' Toolbars	5-44
Hydraulic Components (Except Hydraulic Hoses) - 60'/66' Toolbars	5-46

60'/66'/80'/88'/90' TOOLBAR COMPONENTS

Hydraulic Valve Block Applicator Assembly Components - 60'/66'/80'/88'/90' Toolbars	5-48
Hydraulic Hoses to Tractor & Toolbar Down Pressure Gauge	
60'/66'/80'/88'/90' Toolbars	5-50
Hydraulic Hoses to Main Wing Fold & Toolbar Latch Cylinders -	
60'/66'/80'/88'/90' Toolbars	5-52
Hydraulic Hoses to Diverter Valve - 60'/66'/80'/88'/90' Toolbars	5-53
Hydraulic Hoses to Wing Mast Cylinders - 60'/66'/80'/88'/90' Toolbars	5-54
Hydraulic Hoses to Main Wing Coulter Flip Cylinders - 60'/66'/80'/88'/90' Toolbars	5-55
Hydraulic Hoses to Outer Wing Fold Cylinders - 60'/66'/80'/88'/90' Toolbars	5-56
Hydraulic Hoses to Toolbar Lift Cylinders - 60'/66'/80'/88'/90' Toolbars	5-57
Hydraulic Pressure Reducing Valve Components	5-58
Flow Ball Components - 60'/66'/80'/88'/90' Toolbars	5-60
Flow Ball Indicator Components - 60'/66'/80'/88'/90' Toolbars	5-66
Coulter Mounting Components - 60'/66'/80'/88'/90' Toolbars	5-70

(Continued on next page)

Parts

**Please visit www.unverferth.com/parts/ for the most current parts listing.
Please visit Operator’s Manual #415257 for complete operation, maintenance,
service and set up information.**

40’ TOOLBAR COMPONENTS

Tongue Components - 40’ Toolbars	5-72
Center Toolbar & Latch - 40’ Toolbar	5-74
Center Toolbar to Main Wing Components - For 40’ Units.....	5-76
Main Wing to Outer Wing Components - Rigid Toolbar - 40’ Toolbar.....	5-78
Main Wing to Outer Wing Components - Folding Toolbar - 40’ Toolbar.....	5-80
5 Section Manifold Components - 40’ Units.....	5-82
Hydraulic Valve Block Applicator Assembly Components	5-84
Hydraulic Components (Except Hydraulic Hoses) - 40’ Toolbars.....	5-86
Hydraulic Hoses to Tractor & Toolbar Down Pressure Gauge - 40’ Toolbars	5-88
Hydraulic Hoses to Toolbar Lift Cylinders - 40’ Toolbars	5-90
Hydraulic Hoses to Toolbar Latch Cylinder - 40’ Toolbars.....	5-91
Hydraulic Hoses to Main Wing & Wing Tilt Cylinders - 40’ Toolbars	5-92
Hydraulic Hoses to Outer Wing Cylinders & Diverter Valve - 40’ Toolbars.....	5-94
Flow Ball Components - 40’ Toolbars	5-96
Coulter Mounting Components - 40’ Toolbars	5-100
Add-On Coulter Packages - 40’ Toolbars	5-102

(Continued on next page)

Parts

**Please visit www.unverferth.com/parts/ for the most current parts listing.
Please visit Operator's Manual #415257 for complete operation, maintenance,
service and set up information.**

SHARED NUTRIMAX COMPONENTS

Coulter Assemblies & Components.....	5-104
Closer Wheel Assembly & Components (Optional)	5-110
Closer Wheel Tank Guard Components (Optional).....	5-112
Injector Nozzle and Injector Knives.....	5-114
Nozzle.....	5-131
Applicator Frame Components.....	5-132
Tank Frame Components.....	5-134
Clean Water Tank Components.....	5-137
Tank & Baffle 1800 Gallon Components.....	5-138
Tank & Baffle 2600 Gallon Components.....	5-140
Axle and Hub Components.....	5-142
Wheel & Tire 1800 Gallon Components.....	5-144
Wheel & Tire 2600 Gallon Components.....	5-146
Track Axle Components.....	5-148
Track Mounting & Fender Components.....	5-150
Touch-Up Paint.....	5-152
Strainer.....	5-153
Gauge Wheel Components.....	5-154
Double Coulter Gauge Wheel Components.....	5-156
Tank Fill Kit - Raven ISO Only.....	5-158
Agitation Plumbing Components.....	5-159
Undercarriage Plumbing Components.....	5-160
Inductor Plumbing Components.....	5-164
Hydraulically Driven Centrifugal PWM Pump - HYPRO 9306C-HM1C.....	5-166
Hydraulically Driven Centrifugal PWM Pump - ACE 755 (SS).....	5-168
Hydraulically Driven Centrifugal Pump - ACE HYD 750 PWM.....	5-170
Hydraulically Driven Centrifugal Pump - ACE HYD 750.....	5-172
Hydraulically Driven Centrifugal PWM Pump - FMSCS 205F HYD 304.....	5-174
Hydraulically Driven Centrifugal PWM Pump - ACE 205 PWM (SS).....	5-176
Main Electrical Components.....	5-178
Rate Control Module (RCM) Electrical Components.....	5-180

FOR TRACK INFORMATION, PLEASE REFER TO YOUR 14" WIDE X 80" LONG EQUALIZER® TRACK MANUAL.
FOR STEERABLE HITCH INFORMATION, PLEASE REFER TO YOUR STEERABLE HITCH MANUAL.

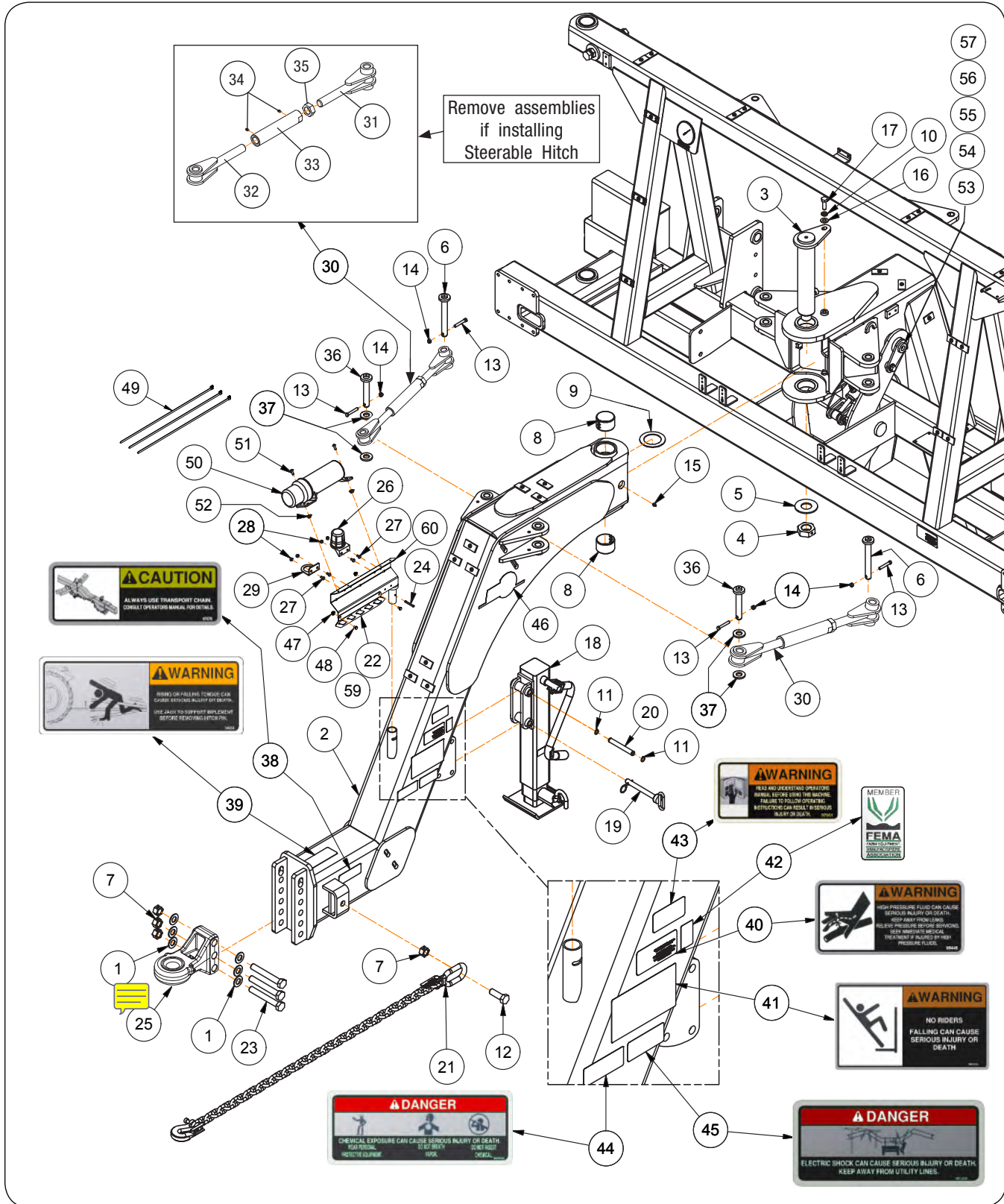
Notes

Please visit www.unverferth.com/parts/ for the most current parts listing.

1800 & 2600 NutriMax Liquid Applicator — Parts

Tongue Components - 80'/88'/90' Units & Steerable Hitch Option for 60' Units

Please visit www.unverferth.com/parts/ for the most current parts listing.



1800 & 2600 NutriMax Liquid Applicator — Parts

Tongue Components - 80'/88'/90' Units & Steerable Hitch Option for 60' Units

Please visit www.unverferth.com/parts/ for the most current parts listing.

ITEM	PART NUMBER	DESCRIPTION	QTY	NOTES
	-	Steerable Hitch Bundle (Option for 60' Units)	-	Includes Items 2, 3, 6, 8-10, 13-15, 36-46, 53-58
1	9405-116	Flat Washer 1" SAE	6	
2	412932G	Tongue Weldment =Green= (Non Steerable Hitch)	1	Includes Items 8, 15, 38-45
	412932R	Tongue Weldment =Red= (Non Steerable Hitch)		
	414305G	Tongue Weldment =Green= (Steerable Hitch)	1	
	414305R	Tongue Weldment =Red= (Steerable Hitch)		
3	410240	Tongue Pin Weldment 3" Dia. x 17 1/8	1	
4	9005290	Heavy Hex Jam Nut 1 3/4-5UNC w/Set Screw	1	
5	9405-154	Flat Washer 1 3/4" USS	1	
6	407587	Cylinder Pin Weldment 1" Dia. x 8 3/8	2	
7	92199	Locknut 1-8UNC	4	
8	9003415	Split Bushing 3 1/4" Dia. x 2	2	
9	282377	Washer 4.5" Dia.	1	
10	9404-029	Lock Washer 5/8"	2	
11	9003810	External Retaining Ring 3/4"	2	
12	9390-187	Capscrew 1-8UNC x 3	1	
13	9390-061	Capscrew 3/8-16UNC x 2 1/2	4	
14	9928	Locknut 3/8-16UNC	4	
15	9007654	Grease Zerk	2	
16	9405-098	Flat Washer 5/8" SAE	1	
17	9390-123	Capscrew 5/8-11UNC x 1 3/4	1	
18	9007176	Jack 10,000# Lift, Side Wind w/Spring Return Drop Leg	1	
19	95958	Hitch Pin 3/4" Dia. x 6 1/2 w/Hairpin Cotter	1	
20	410566	Pivot Pin 3/4" Dia. x 6	1	
21	95055	Transport Chain 40,500#	1	
22	415534B	Hose Caddy Replacement Kit (Black)	1	Includes Items 24, 47 - 49, 59 & 60 For SN B41810099 & Lower
23	91299-199	Capscrew 1-8UNC x 8	3	
24	9392-140	Roll Pin 1/4" Dia. x 2	1	
25	JAP3228	Ball Swivel Hitch, Category 4 w/Greaseable Ball	1	
26	9001968	Connector Holder	1	
27	9390-001	Capscrew 1/4-20UNC x 1/2	4	
28	9936	Locknut 1/4-20UNC	4	
29	281837B	Plate Holder =Black=	1	

(continued on next page)

1800 & 2600 NutriMax Liquid Applicator — Parts

Tongue Components - 80'/88'/90' Units & Steerable Hitch Option for 60' Units

Please visit www.unverferth.com/parts/ for the most current parts listing.

ITEM	PART NUMBER	DESCRIPTION	QTY	NOTES
30	411945	Tongue Brace Assembly	2	Not used with Steerable Hitch
31	407742	Tongue Adjustment End Weldment Right-Hand	2	
32	407745	Tongue Adjustment End Weldment Left-Hand	2	
33	411944	Turnbuckle	2	
34	9501603	Grease Zerk	4	
35	9395-024	Hex Jam Nut 1 1/4-7UNC	2	
36	411317	Cylinder Pin Weldment 1" Dia. x 6 1/2	2	
37	9448	Hardened Flat Washer 1"	4	
38	97575	Decal, CAUTION "Transport Chain"	1	
39	94094	Decal, WARNING "Tongue May Raise or Drop Rapidly..."	1	
40	95445	Decal, WARNING "High-Pressure Fluid"	1	
41	9003476	Decal, WARNING "No-Riders"	1	
42	91605	Decal, FEMA	1	
43	97961	Decal, WARNING "Read & Understand Operator Manual"	1	
44	901256	Decal, DANGER "Chemical Exposure"	1	
45	901258	Decal, DANGER "Electric Shock"	1	
46	901607	Decal, UM Oval	2	
47	91257	Hex Nut/Large Flange 5/16-18UNC	2	
48	91256	Screw/Large Flange 5/16-18UNC x 3/4	2	
49	9000104	Cable Tie 21 1/2" x 5/16"	3	
50	900552	Manual Holder	1	
51	90174-535	Truss Head 1/4-20UNC x 3/4 Phillips Machine Screw	2	
52	97189	Hex Nut/Large Flange 1/4-20UNC	2	
53	410470	Pivot Pin Weldment 1 3/4" Dia. x 15 3/8	1	See page 5-10 for layout
54	9002130	Split Tension Bushing 2" Dia. x 2	2	
55	410473	Retainer Pin Plate 2 3/4" Dia.	1	
56	9390-122	Capscrew, 5/8-11UNC x 1 1/2 (Gr.5)	1	
57	414308G	Front Frame Weldment =Green=	1	
	414308R	Front Frame Weldment =Red=		
58	95839	Decal, WARNING "Pinch Point" (Not Shown)	2	
59	415536	Hose Caddy Plate	1	
60	415532B	Hose Caddy Weldment =Black=	1	

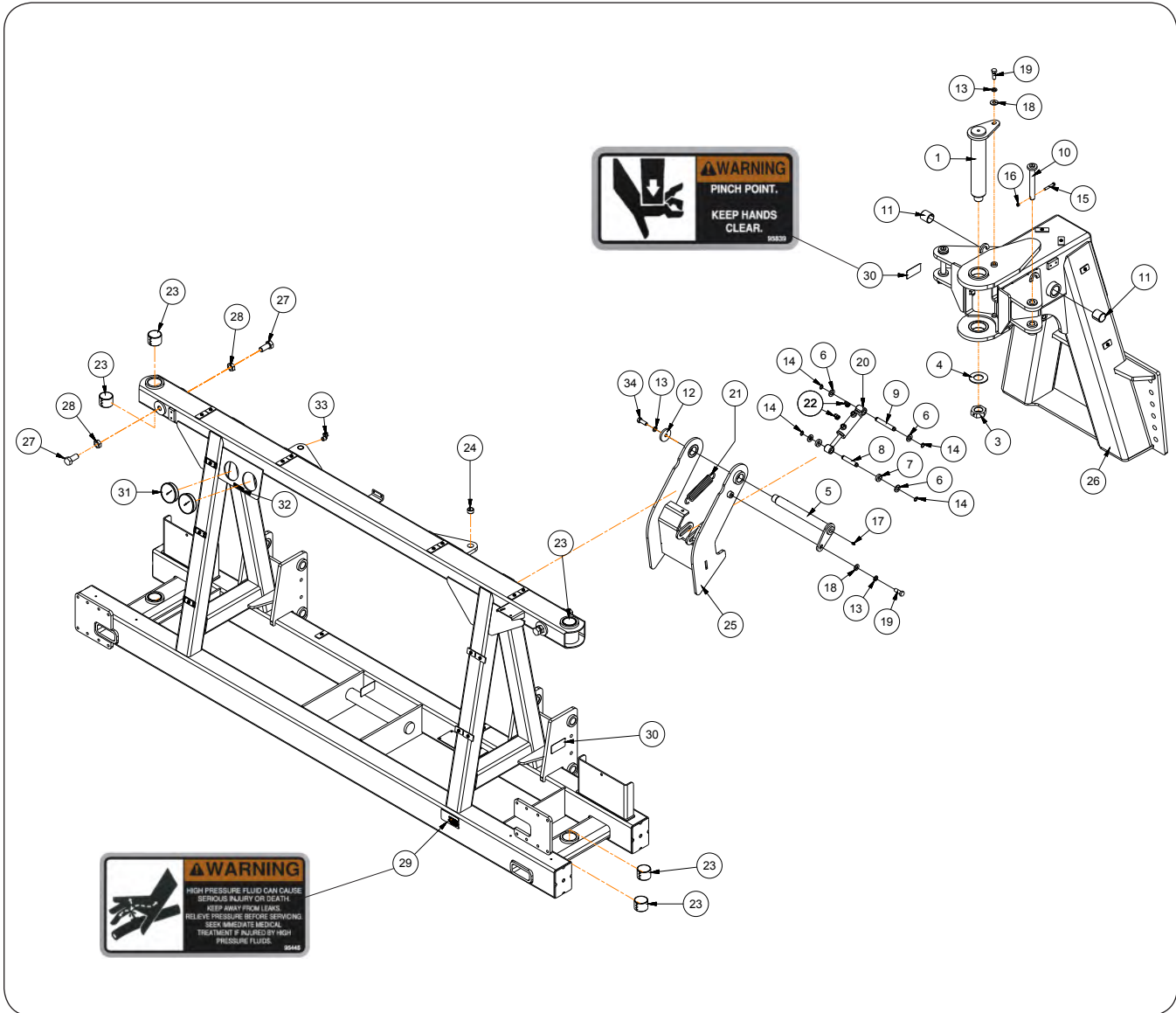
Notes

Please visit www.unverferth.com/parts/ for the most current parts listing.

1800 & 2600 NutriMax Liquid Applicator — Parts

Center Toolbar, Latch, & Front Frame Component - 80' / 88' / 90' Units

Please visit www.unverferth.com/parts/ for the most current parts listing.



1800 & 2600 NutriMax Liquid Applicator — Parts

Center Toolbar, Latch, & Front Frame Component - 80' / 88' / 90' Units

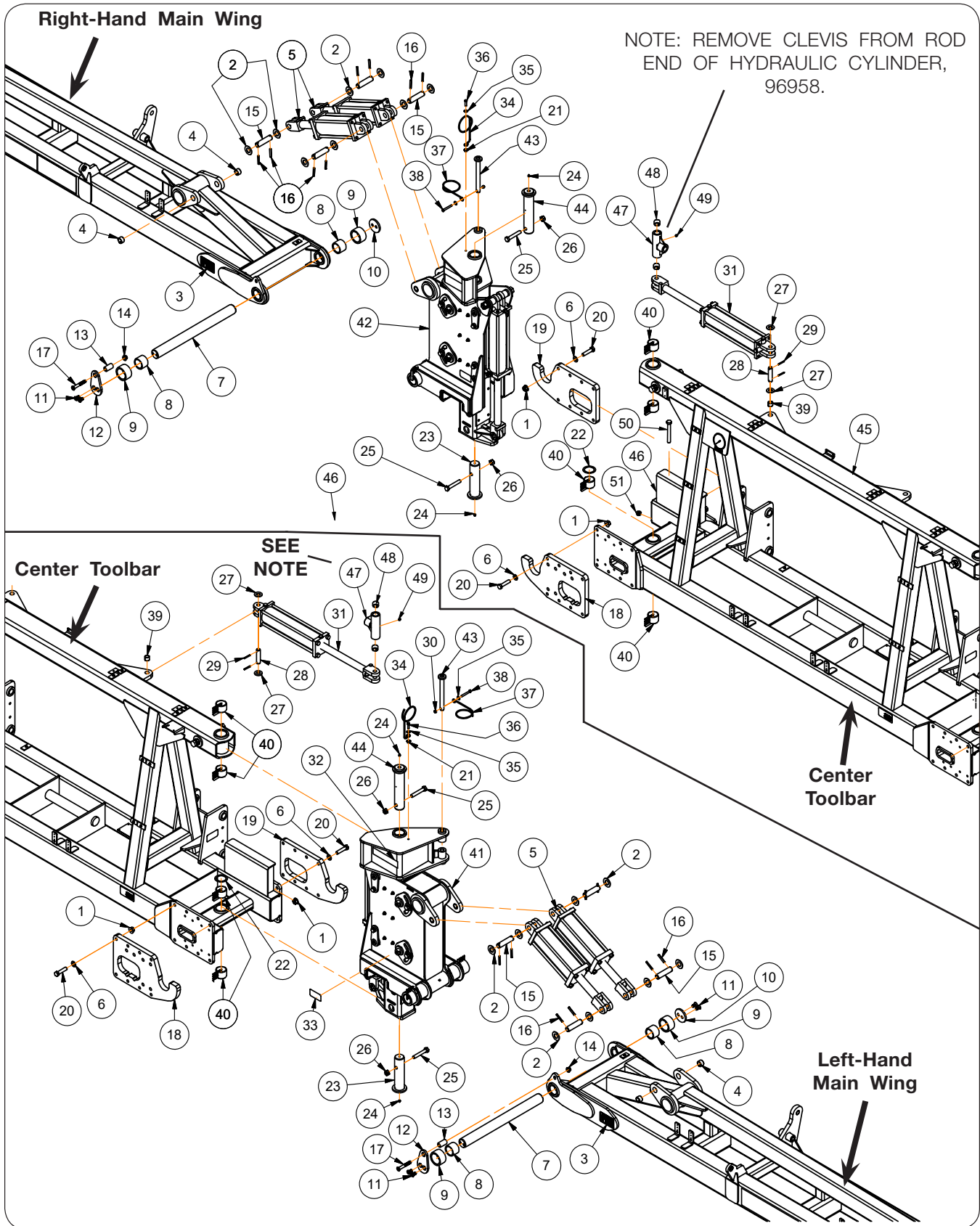
Please visit www.unverferth.com/parts/ for the most current parts listing.

ITEM	PART NUMBER	DESCRIPTION	QTY	NOTES
1	410240	Tongue Pin Weldment 3" Dia. x 17 1/8	1	
3	9005290	Heavy Hex Jam Nut 1 3/4-5UNC w/Set Screw	1	
4	9405-154	Flat Washer 1 3/4" USS	1	
5	410470	Pivot Pin Weldment 1 3/4" Dia. x 15 3/8	1	
6	9405-104	Flat Washer 3/4" SAE	4	
7	410474	Spacer Tube 1 1/2" Dia. x 3/8	2	
8	410475	Cylinder Pin 3/4" Dia. x 4 1/4	1	
9	410476	Cylinder Pin 3/4" Dia. x 5 3/8	1	
10	407587	Cylinder Pin Weldment 1" Dia. x 8 3/8	2	
11	9002130	Split Tension Bushing 2" Dia. x 2	2	
12	410473	Retainer Pin Plate 2 3/4" Dia.	1	
13	9404-029	Lock Washer 5/8"	3	
14	9003810	External Retaining Ring 3/4"	4	
15	9390-061	Capscrew 3/8-16UNC x 2 1/2	2	
16	9928	Locknut 3/8-16UNC	2	
17	9007654	Grease Zerk	1	
18	9405-098	Flat Washer 5/8" SAE	2	
19	9390-123	Capscrew 5/8-11UNC x 1 3/4	2	
20	9006935	Hydraulic Cylinder 1 1/2 x 2 1/2	1	
21	9004436	Extension Spring	1	
22	9006171	90° Elbow 9/16 Female O-Ring x 9/16 Male O-Ring	2	
23	9003230	Split Bushing 2 3/4" Dia. x 2 (Hardened)	8	
24	95122	Split Tension Bushing 1 1/4" Dia. x 3/4	2	
25	411133G	Latch Weldment =Green=	1	
	411133R	Latch Weldment =Red=		
26	414308G	Front Frame Weldment =Green=	1	Includes Item 11 and 30
	414308R	Front Frame Weldment =Red=		
27	9390-184	Capscrew 1-8UNC x 2 1/4	4	
28	9395-020	Hex Jam Nut 1-8UNC	4	
29	95445	Decal, WARNING "High-Pressure Fluid"	1	
30	95839	Decal, WARNING "Pinch Point"	4	
31	9007569	Pressure Gauge	2	
32	9007132	Decal, Pump Pressure	1	
33	TA720812	90° Elbow 1/4 FPT x 1/4 Tube	2	
34	9390-122	Capscrew, 5/8-11UNC x 1 1/2 (Gr.5)	1	

1800 & 2600 NutriMax Liquid Applicator — Parts

Center Toolbar to Main Wing Components - For 80', 88' & 90' Toolbars

Please visit www.unverferth.com/parts/ for the most current parts listing.



1800 & 2600 NutriMax Liquid Applicator — Parts

Center Toolbar to Main Wing Components - For 80', 88' & 90' Toolbars

Please visit www.unverferth.com/parts/ for the most current parts listing.

ITEM	PART NUMBER	DESCRIPTION	QTY	NOTES
1	9003399	Flange Locknut 3/4-10UNC	32	
2	9405-128	Flat Washer 1 1/4" SAE	8	
3	TA510079	Decal, WARNING (Folding/Unfolding)	2	
4	93622	Split Tension Bushing 1 1/2" Dia. x 1	6	
5	9007602	Hydraulic Cylinder 4 1/2 x 10	4	
6	9405-104	Flat Washer 3/4" SAE	32	
7	411393	Pin 2 1/2" Dia. x 28 1/2	2	
8	411397	Spacer/Bushing 3" Dia. x 2 1/4	4	
9	411398	Roller/Tube 3 3/4" Dia. x 2 1/8	4	
10	411410	Pin Retainer Plate	2	
11	902703-112	Socket Flat Countersunk Capscrew 5/8-11UNC x 1 1/4	8	
12	411408	Pin Retainer Plate	2	
13	411409	Spacer/Bushing 1 1/4" Dia. x 2 3/8	2	
14	9003398	Flange Locknut 5/8-11UNC	2	
15	410984	Pin 1 1/4" Dia. x 4 5/8	10	
16	9392-182	Roll Pin 3/8" Dia. x 2 1/2	4	
17	902703-152	Socket Flat Countersunk Capscrew 5/8-11UNC x 4 1/2	2	
18	411390G	Front Wing Hook Plate =Green=	2	
	411390R	Front Wing Hook Plate =Red=		
19	411391G	Rear Wing Hook Plate =Green=	2	
	411391R	Rear Wing Hook Plate =Red=		
20	91299-150	Capscrew 3/4-10UNC x 3 1/4	32	Grade 8
21	91263	Large Flange Nut 3/8-16UNC	2	
22	9003100	Hardened Washer	2	
23	410791	Hinge Pin Weldment 2 1/2" Dia. x 10 3/8	2	
24	9007654	Grease Zerk	4	
25	9390-154	Capscrew 3/4-10UNC x 4 1/2	4	
26	96732	Locknut 3/4-10UNC	4	
27	9405-116	Flat Washer 1" SAE	4	
28	410447	Pin 1" Dia. x 4 3/8	2	
29	9392-140	Roll Pin 1/4" Dia. x 2	4	
30	9928	Locknut 3/8-16UNC	2	
31	96958	Hydraulic Cylinder 4 x 16	2	
32	9003127	Reflector =AMBER=	2	
33	95839	Decal, WARNING (Pinch Point)	2	
34	9008673	Hose Holder 9 7/8" Lg.	2	
35	9006212	Flat Washer 3/8" (Stainless Steel)	4	
36	9390-057	Capscrew 3/8-16UNC x 1 1/2	2	
37	9008672	Hose Holder 10 9/16" Lg.	2	
38	9390-063	Capscrew 3/8-16UNC x 3	2	
39	91268	Tension Bushing 1 1/4" Dia. x 1	4	
40	9003230	Split Bushing 2 3/4" Dia. x 2	8	
41	414350G	Wing Mast Left-Hand Assembly =Green=	1	
	414350R	Wing Mast Left-Hand Assembly =Red=		
42	414351G	Wing Mast Right-Hand Assembly =Green=	1	
	414351R	Wing Mast Right-Hand Assembly =Red=		
43	415228	Cylinder Pin Weldment 1 1/4" Dia. x 11 3/8	2	
44	411388	Hinge Pin Weldment 2 1/2" Dia. x 12 5/8	2	
45	414322G	Center Toolbar Weldment =Green=	1	
	414322R	Center Toolbar Weldment =Red=		
46	411939G	Mast Rest Weldment =Green=	1	
	411939R	Mast Rest Weldment =Red=		
47	413967B	Cylinder End Weldment =Black=	2	
48	9003894	Split Tension Bushing 1 1/2" Dia. x 1 1/4	4	
49	9501603	Grease Zerk	2	
50	9390-025	Capscrew 1/4"-20UNC x 8" G5	2	
51	97189	Lrg. Flange Hex Nut 1/4"-20UNC	2	

1800 & 2600 NutriMax Liquid Applicator — Parts

Wing Mast Assembly Components — For 80', 88' & 90' Toolbars

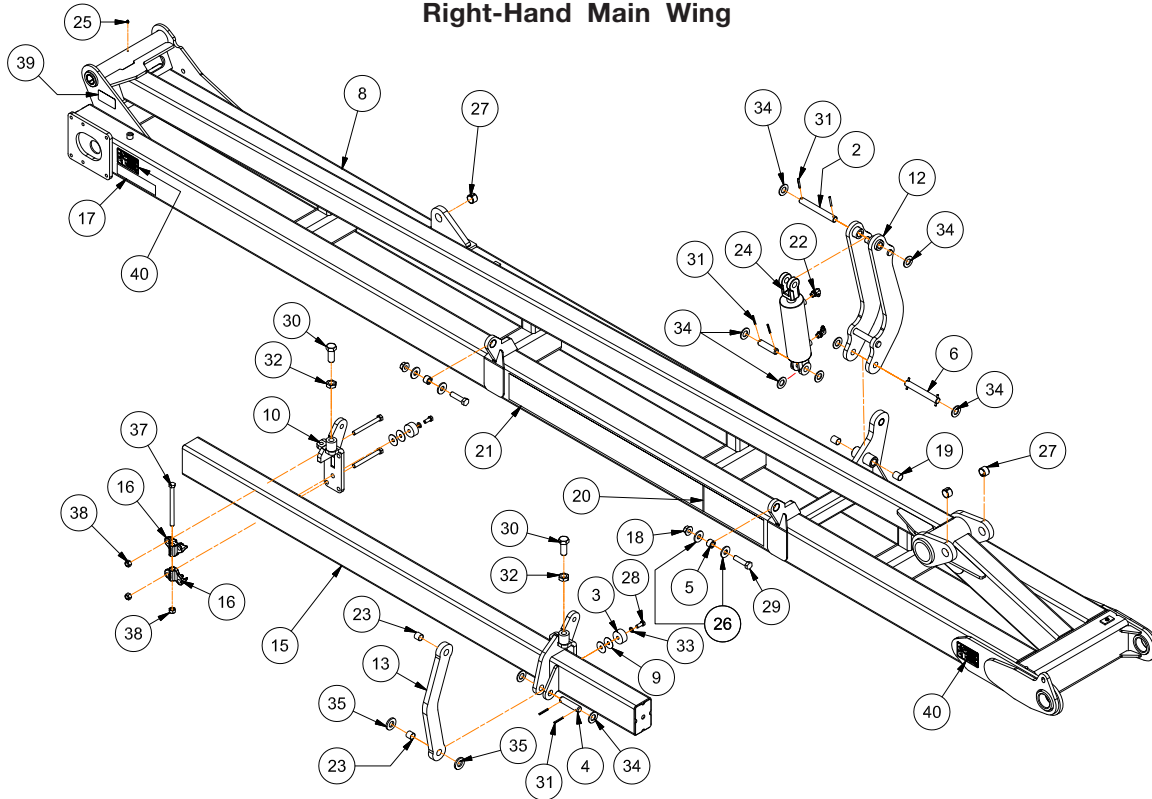
Please visit www.unverferth.com/parts/ for the most current parts listing.

ITEM	PART NUMBER	DESCRIPTION	QTY	NOTES
1A	412043G	Wing Mast Left-Hand Assembly =Green=	1	Includes Items 2, 3A, 4A, & 5 through 36
	412043R	Wing Mast Left-Hand Assembly =Red=		
1B	412053G	Wing Mast Right-Hand Assembly =Green=	1	Includes Items 2, 3B, 4B, & 5 through 36
	412053R	Wing Mast Right-Hand Assembly =Red=		
2	410447	Cylinder Pin 1" Dia. x 4 3/8	2	
3	410646	Tube Roller 2 3/4" Dia. x 5 7/8	8	
4	410653	Shim Plate 6 1/4 x 17 1/2	4	
5	410654	Wear Pad 4 1/2 x 17	4	
6	410702	Roller Washer 2 1/2" Dia.	16	
7	410709	Roller Adjustment Weldment	4	
8	410798	Spacer/Bushing 1 3/4" Dia. x 1	2	
9	410803	Roller Pin Weldment 1 1/2" Dia. x 10 7/16	4	
10	410806	Roller Adjustment Pin Weldment 1 1/2" Dia. x 11 9/16	4	
11	411142	Roller Shim Adjustment Plate	8	
12A	415210G	Wing Mast Weldment Left-Hand =Green=	1	
	415210R	Wing Mast Weldment Left-Hand =Red=		
12B	415211G	Wing Mast Weldment Right-Hand =Green=	1	
	415211R	Wing Mast Weldment Right-Hand =Red=		
13	411384	Spacer/Bushing 1 3/4" Dia. x 1 5/8	4	
14	411440	Roller Wear Plate 5 x 37 3/4	4	
15A	415219G	Wing Slide Weldment Left-Hand =Green=	1	
	415219R	Wing Slide Weldment Left-Hand =Red=		
15B	415220G	Wing Slide Weldment Right-Hand =Green=	1	
	415220R	Wing Slide Weldment Right-Hand =Red=		
16	902703-029	Flat Head/Socket Head Capscrew 5/16-18UNC x 3/4	40	
17	9002806	Split Tension Bushing 1 3/4" Dia. x 2	16	
18	9003230	Split Bushing 2 3/4" Dia. x 2 (Hardened)	4	
19	9003398	Locknut 5/8-11UNC	4	
20	9006173	90° Elbow 9/16 Female O-Ring x 3/4 Male O-Ring	4	
21	9501603	Grease Zerk	10	
22	91257	Hex Nut/Large Flange 5/16-18UNC	24	
23	92199	Locknut 1-8UNC	6	
24	93425	Flat Washer 3/4"	8	
25	93622	Tension Bushing 1 1/2" Dia. x 1	2	
26	9390-107	Capscrew 1/2-13UNC x 3	4	Grade 5
27	9390-126	Capscrew 5/8-11UNC x 2 1/2	4	Grade 5
28	9390-145	Capscrew 3/4-10UNC x 2	8	Grade 5
29	9390-464	Capscrew 1-8UNC x 10	2	Grade 5
30	9392-140	Roll Pin 1/4" Dia. x 2	4	
31	903171-662	Flat Head/Phillips Machine Screw 5/16-18UNC x 1 1/4	24	
32	9404-033	Lock Washer 3/4"	8	
33	9405-116	Flat Washer 1" SAE	8	
34	94981	Locknut 1/2-13UNC	4	
35	96958	Hydraulic Cylinder 4 x 16	2	

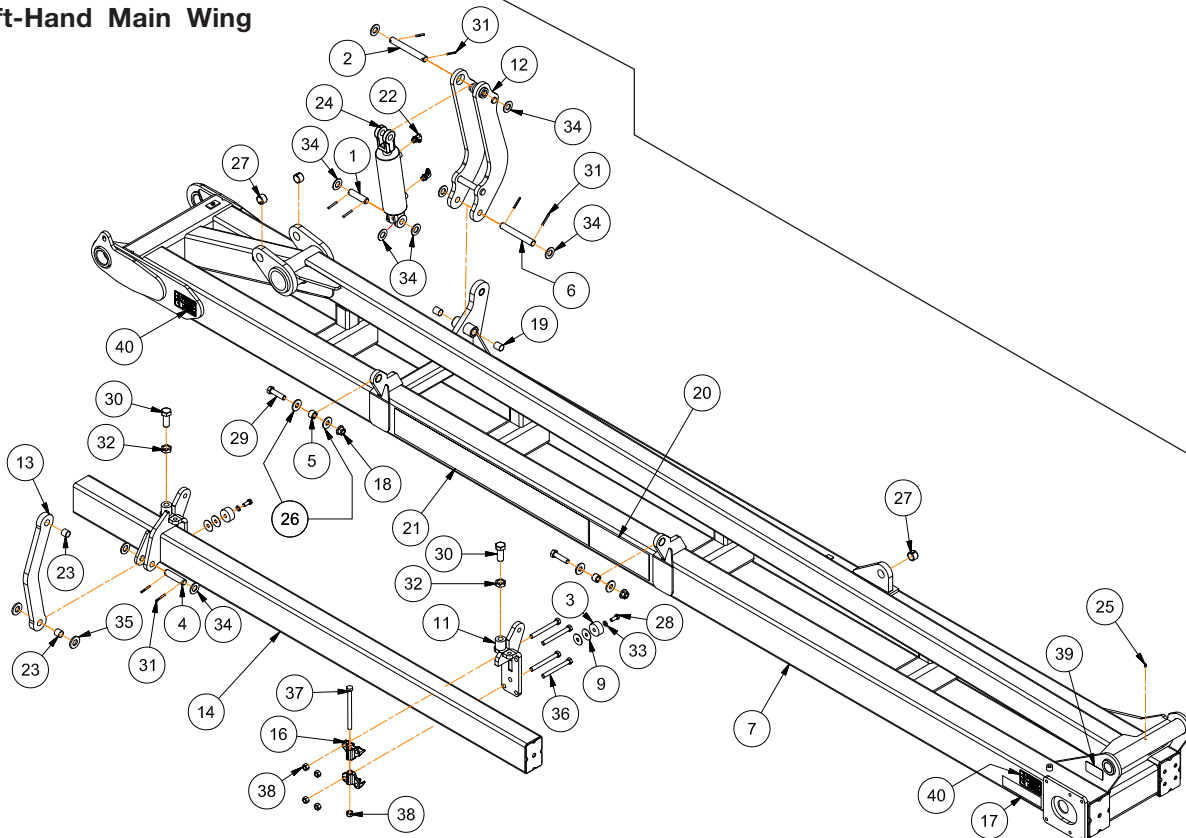
Main Wing Components — For 80', 88' & 90' Toolbars

Please visit www.unverferth.com/parts/ for the most current parts listing.

Right-Hand Main Wing



Left-Hand Main Wing



1800 & 2600 NutriMax Liquid Applicator — Parts

Main Wing Components — For 80', 88' & 90' Toolbars

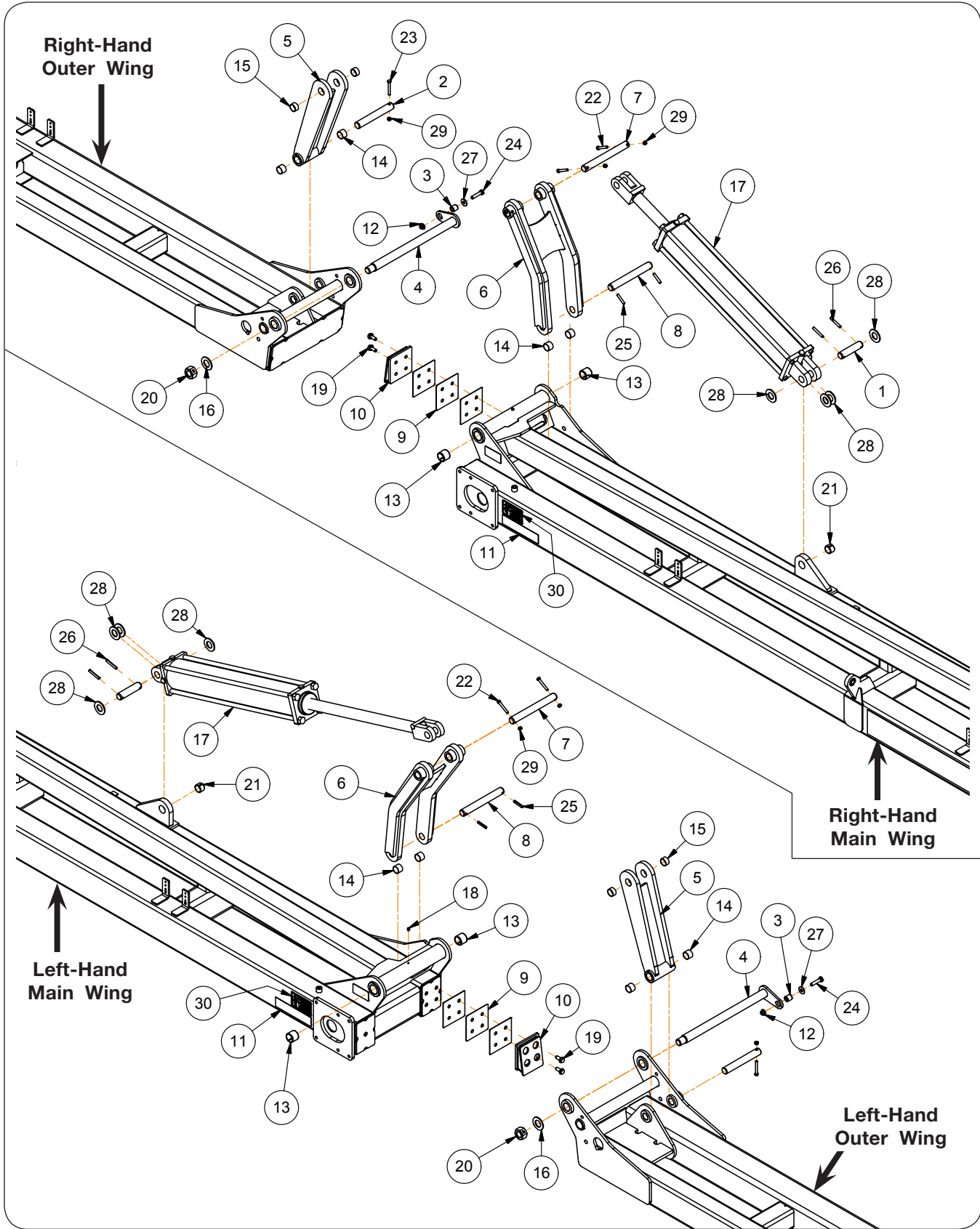
Please visit www.unverferth.com/parts/ for the most current parts listing.

ITEM	PART NUMBER	DESCRIPTION	QTY	NOTES
1	250104	Cylinder Pin 1" Dia. x 4	2	
2	410382	Linkage Pin 1" Dia. x 8	2	
3	410386	Stop Rod 2 1/4" Dia. x 1 1/2	4	
4	410447	Cylinder Pin 1" Dia. x 4 3/8	2	
5	410462	Pivot Tube Bushing 1 1/4" Dia. x 1	4	
6	410558	Linkage Pin 1" Dia. x 7 3/8	2	
7	415233G	Main Wing Weldment Left-Hand =Green=	1	
	415233R	Main Wing Weldment Left-Hand =Red=		
8	415234G	Main Wing Weldment Right-Hand =Green=	1	
	415234R	Main Wing Weldment Right-Hand =Red=		
9	410949	Shim Plate 2" Dia.	A/R	
10	411120G	Wing Hinge Weldment Right-Hand =Green=	1	
	411120R	Wing Hinge Weldment Right-Hand =Red=		
11	411121G	Wing Hinge Weldment Left-Hand =Green=	1	
	411121R	Wing Hinge Weldment Right-Hand =Red=		
12	411210B	Fold Link Weldment =Black=	2	
13	411212B	Pivoting Coultter Tube Link Plate =Black=	2	
14	411231G	Pivoting Coultter Tube Weldment Left-Hand =Green=	1	
	411231R	Pivoting Coultter Tube Weldment Left-Hand =Red=		
15	411232G	Pivoting Coultter Tube Weldment Right-Hand =Green=	1	
	411232R	Pivoting Coultter Tube Weldment Right-Hand =Red=		
16	67922B	Extension Clamp =Black=	4	
17	9003127	Reflector =Amber=	2	
18	9003399	Locknut/Flange Washer 3/4-10UNC	4	
19	9003440	Self-Lubricating Bushing 1.13" Dia. x 1 1/4	4	
20	9004213	Decal, UM Logo Tail	2	
21	9004298	Decal, UM Logo	2	
22	9006173	90° Elbow 9/16 Female O-Ring x 3/4 Male O-Ring	4	
23	9007175	Self-Lubricating Bushing 1.12" Dia. x 1	4	
24	9007264	Hydraulic Welded Cylinder 3 1/2 x 8	2	
25	9501603	Grease Zerk	2	
26	93425	Flat Washer 3/4"	8	
27	93622	Split Tension Bushing 1 1/2" Dia. x 1	6	
28	9390-100	Capscrew 1/2-13UNC x 1 1/4	4	
29	9390-149	Capscrew 3/4-10UNC x 3	4	
30	9390-185	Capscrew 1-8UNC x 2 1/2	4	
31	9392-140	Roll Pin 1/4" Dia. x 2	16	
32	9395-020	Hex Jam Nut 1-8UNC	4	
33	9404-025	Lock Washer 1/2"	4	
34	9405-116	Flat Washer 1" SAE	18	
35	9448	Flat Washer 1" (Hardened)	4	
36	9501438-136	Capscrew 5/8-11UNC x 6 (Black)	8	
37	9501438-140	Capscrew 5/8-11UNC x 8 (Black)	2	
38	9501439-036	Locknut 5/8-11UNC (Black)	10	
39	95839	Decal, WARNING "Pinch Point"	2	
40	TA510079	Decal, WARNING "Stand Clear...Folding/Unfolding"	4	

1800 & 2600 NutriMax Liquid Applicator — Parts

Main Wing to Outer Wing Components — For 80', 88' & 90' Toolbars

Please visit www.unverferth.com/parts/ for the most current parts listing.



1800 & 2600 NutriMax Liquid Applicator — Parts

Main Wing to Outer Wing Components — For 80', 88' & 90' Toolbars

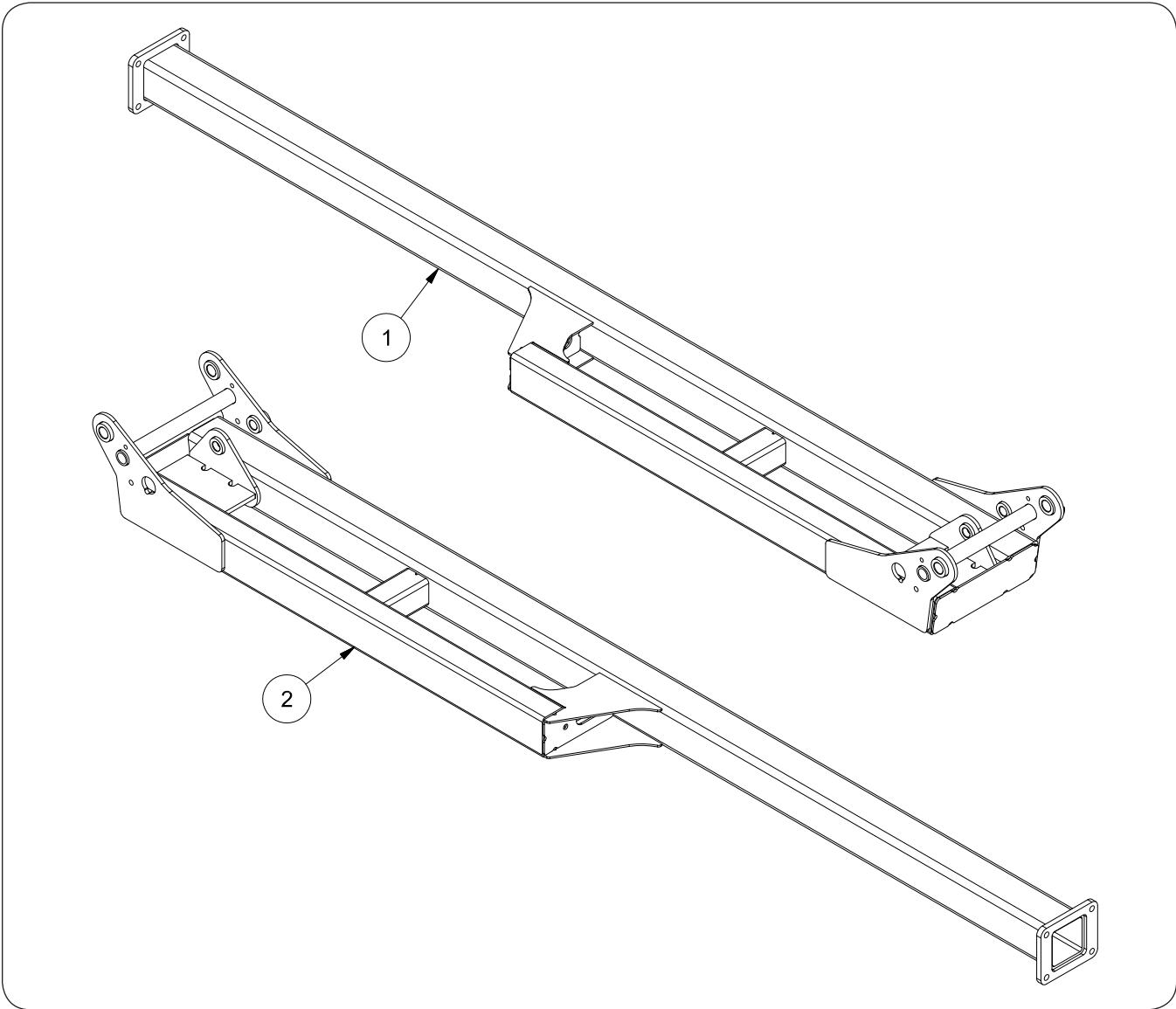
Please visit www.unverferth.com/parts/ for the most current parts listing.

ITEM	PART NUMBER	DESCRIPTION	QTY	NOTES
1	406437	Pin 1 1/4" Dia. x 5 1/4	2	
2	410507	Linkage Pin 1 1/4" Dia. x 8 3/4	2	
3	410511	Spacer Bushing 1" Dia. x 1	2	
4	414147	Outer Wing Pin Weldment 2" Dia. x 23	2	
5	410965B	Outer Link Weldment =Black=	2	
6	410968B	Outer Linkage Weldment =Black=	2	
7	410975	Upper Linkage Pin 1 1/4" Dia. x 10 7/8	2	
8	410521	Upper Linkage Pin, 1 1/4" Dia. x 10 1/8	2	
9	411278	Shim Plate 5 1/2 x 5 1/2 x .048" Thick	A/R	
10	411418B	Wing Stop Weldment =Black=	2	
11	9003127	Reflector =Amber=	2	
12	9003397	Locking Flange Nut 1/2-13UNC	2	
13	9003553	Split Tension Bushing 1 3/4" Dia. x 1 1/2	4	
14	9003828	Self-Lubricating Bushing 1.41" Dia. x 1	8	
15	9004396	Self-Lubricating Bushing 1.41" Dia. x .75	8	
16	9007160	Hardened Washer 2 1/2" Dia.	2	
17	9007618	Hydraulic Cylinder 5 x 30	2	
18	9501603	Grease Zerk	2	
19	91266	Flange Screw 1/2-13UNC x 1 1/4	8	
20	93476	Locknut 1 1/4-7UNC	2	
21	93622	Tension Bushing 1 1/2" Dia. x 1	2	
22	9390-061	Capscrew 3/8-16UNC x 2 1/2	4	
23	9390-062	Capscrew 3/8-16UNC x 2 3/4	2	
24	9390-105	Capscrew 1/2-13UNC x 2 1/4	2	
25	9392-180	Roll Pin 3/8" Dia. x 2	4	
26	9392-180	Roll Pin 3/8" Dia. x 2 1/2	4	
27	9405-088	Flat Washer 1/2" USS	2	
28	9405-128	Flat Washer 1 1/4" SAE	4	
29	9928	Locknut 3/8-16UNC	6	
30	TA510079	Decal, WARNING "Stand Clear...Folding/Unfolding"	4	

1800 & 2600 NutriMax Liquid Applicator — Parts

Outer Wing Components — For 80', 88' & 90' Toolbars

Please visit www.unverferth.com/parts/ for the most current parts listing.

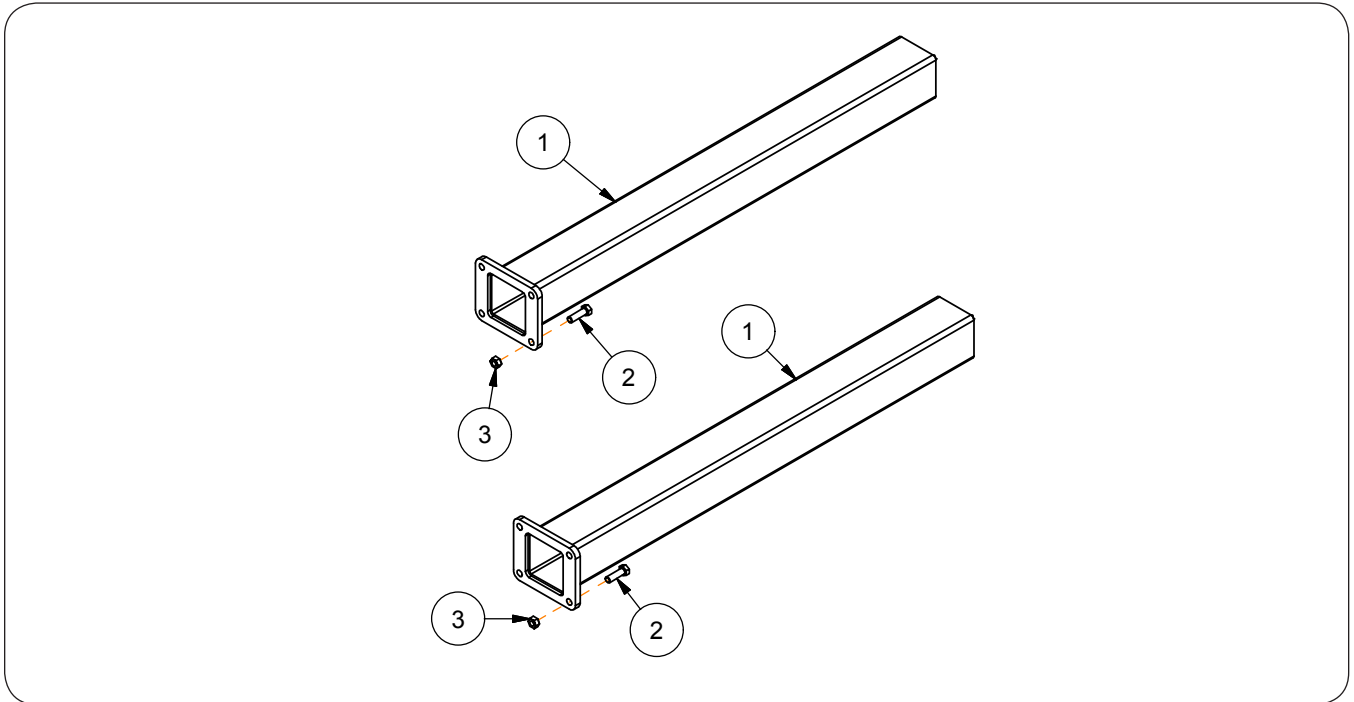


ITEM	PART NUMBER	DESCRIPTION	QTY	NOTES
1	414141G	Outer Wing Weldment Right-Hand =Green=	1	
	414141R	Outer Wing Weldment Right-Hand =Red=		
2	414140G	Outer Wing Weldment Left-Hand =Green=	1	
	414140R	Outer Wing Weldment Left-Hand =Red=		

1800 & 2600 NutriMax Liquid Applicator — Parts

Extension Wing Components — For 88' & 90' Toolbars

Please visit www.unverferth.com/parts/ for the most current parts listing.

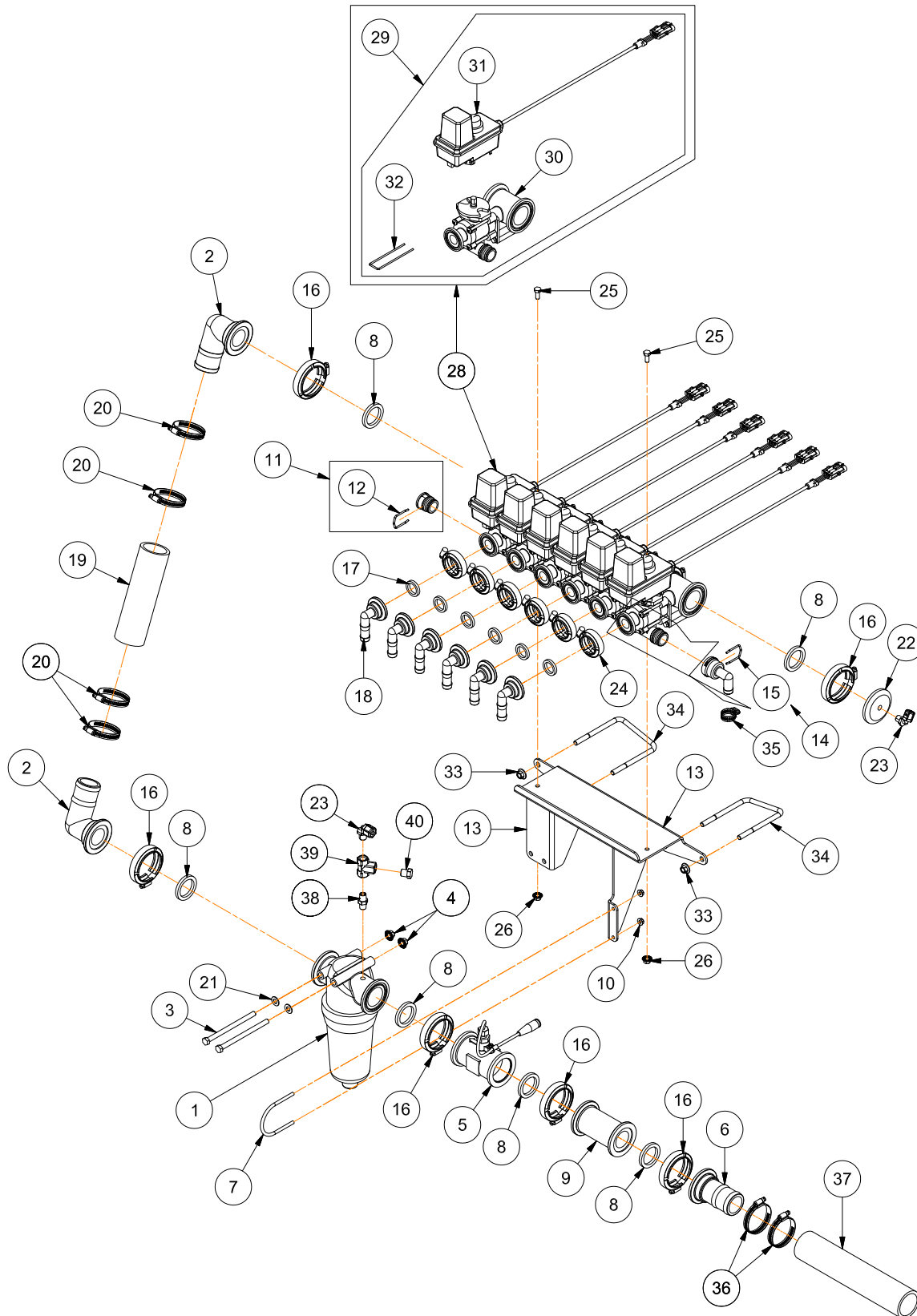


ITEM	PART NUMBER	DESCRIPTION	QTY	NOTES
1	410944G	Extension Wing Weldment =Green=	2	
	410944R	Extension Wing Weldment =Red=		
2	96732	Locknut 3/4-10UNC	8	
3	9390-147	Capscrew 3/4-10UNC x 2 1/2	8	Grade 5

1800 & 2600 NutriMax Liquid Applicator — Parts

6 Section Manifold Components — For 80', 88' & 90' Toolbars

Please visit www.unverferth.com/parts/ for the most current parts listing.



1800 & 2600 NutriMax Liquid Applicator — Parts

6 Section Manifold Components — For 80', 88' & 90' Toolbars

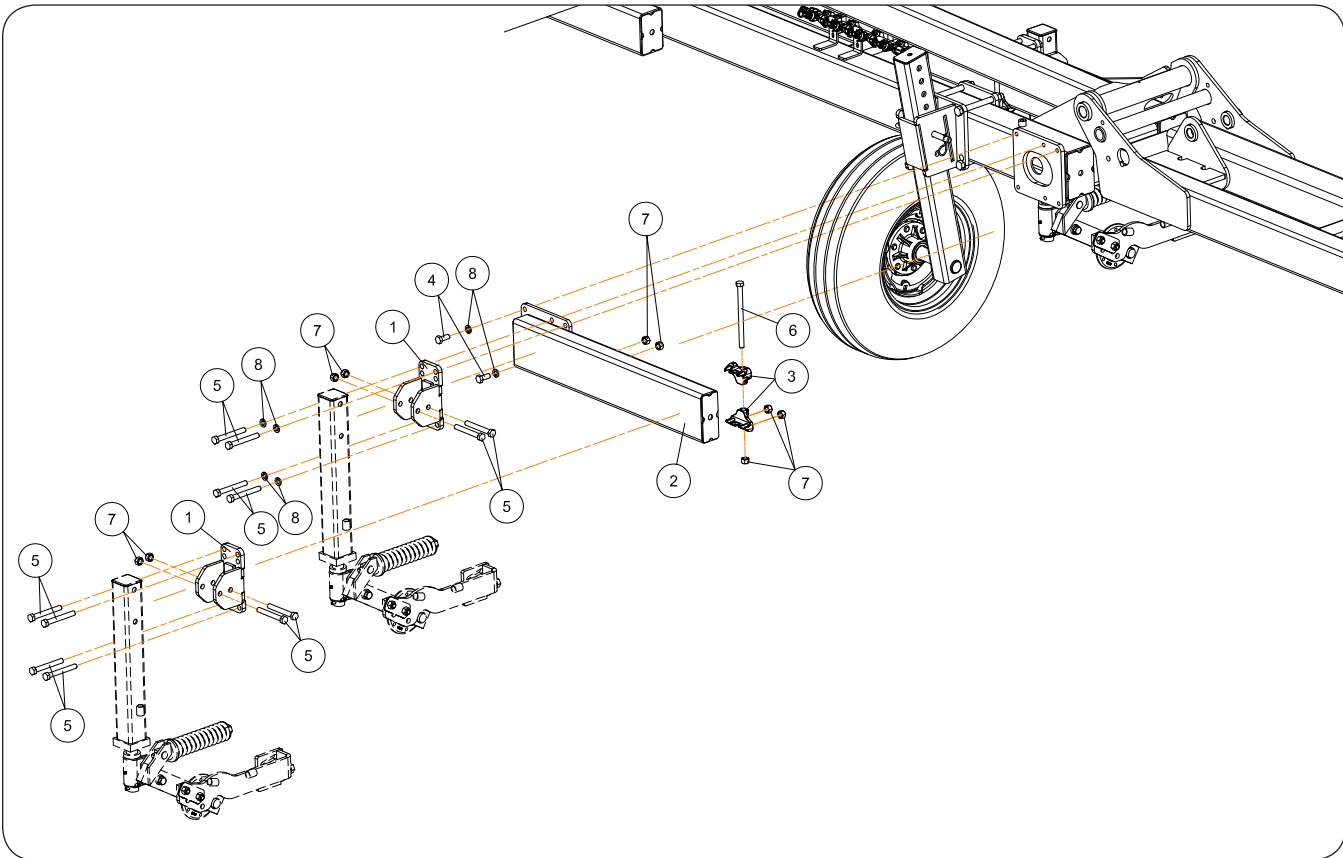
Please visit www.unverferth.com/parts/ for the most current parts listing.

ITEM	PART NUMBER	DESCRIPTION	QTY	NOTES
	412099B	6 Section Manifold Assembly	-	Includes Items 1 through 32
1	402255	2" Strainer	1	
2	TA815021	90° Elbow - 2" Flange to Barb	2	
3	9390-070	Capscrew 3/8-16UNC x 5 1/2	2	
4	91263	Nut/Large Flange 3/8-16UNC	2	
5	TA720365	Flow Meter	1	
6	TA815016	Adapter 2" Flange x 2" Barb	1	
7	9004681	U-Bolt	1	
8	TA811944	Gasket	6	
9	TA815003	Coupling - 2" Flange	1	
10	9004720	Serrated Flange Nut	2	
11	TA854884	Plug Kit	1	
12	TA854883	Wire Clip Retainer	1	
13	410865B	Valve Bracket Weldment =Black=	1	
14	TA854885	Adapter Kit	1	
15	TA854883	Wire Clip Retainer	1	
16	TA815025	2" Flange Clamp	6	
17	TA815029	Gasket 1" Flange	5	
18	TA815017	90° Elbow - Hose Barb	5	
19	TA806328	Hose	1	
20	TA800922	Hose Clamp	4	
21	9405-074	Flat Washer 3/8" SAE	2	
22	TA883114	Plug 2" Flange	1	
23	TA720802	1/4" NPT Elbow	1	
24	TA815026	1" Flange Clamp	5	
25	9390-028	Capscrew 5/16-18UNC x 3/4	2	
26	91257	Flange Nut 5/16-18UNC	2	
27	TA809875	Hex Plug 1/4" NPT	1	
28	9006629	Six Ball Valve Assembly	1	
29	TA854881	Ball Valve Assembly	5	
30	TA854882	Ball Valve	1	
31	TA854874	Valve Motor	1	
32	TA854875	Retainer Clip	1	
33	91263	Large Flange Nut 3/8-16UNC	2	
34	9501076	U-Bolt 3/8-16UNC	2	
35	TA800910	Hose Clamp (1/2")	2	
36	TA800922	Hose Clamp (3/4" to 2 5/8")	8	
37	TA806328	Hose 2" EPDM	15 Ft.	
38	TA809325	Hex Pipe Nipple, 1/4"	1	
39	TA809190	Tee, 1/4"	1	
40	TA809875	Hex Plug, 1/4"-18 NPT	1	

1800 & 2600 NutriMax Liquid Applicator — Parts

Main Wing Extension Components For 80'-30", 80'-20", & 90'-30" Only

Please visit www.unverferth.com/parts/ for the most current parts listing.

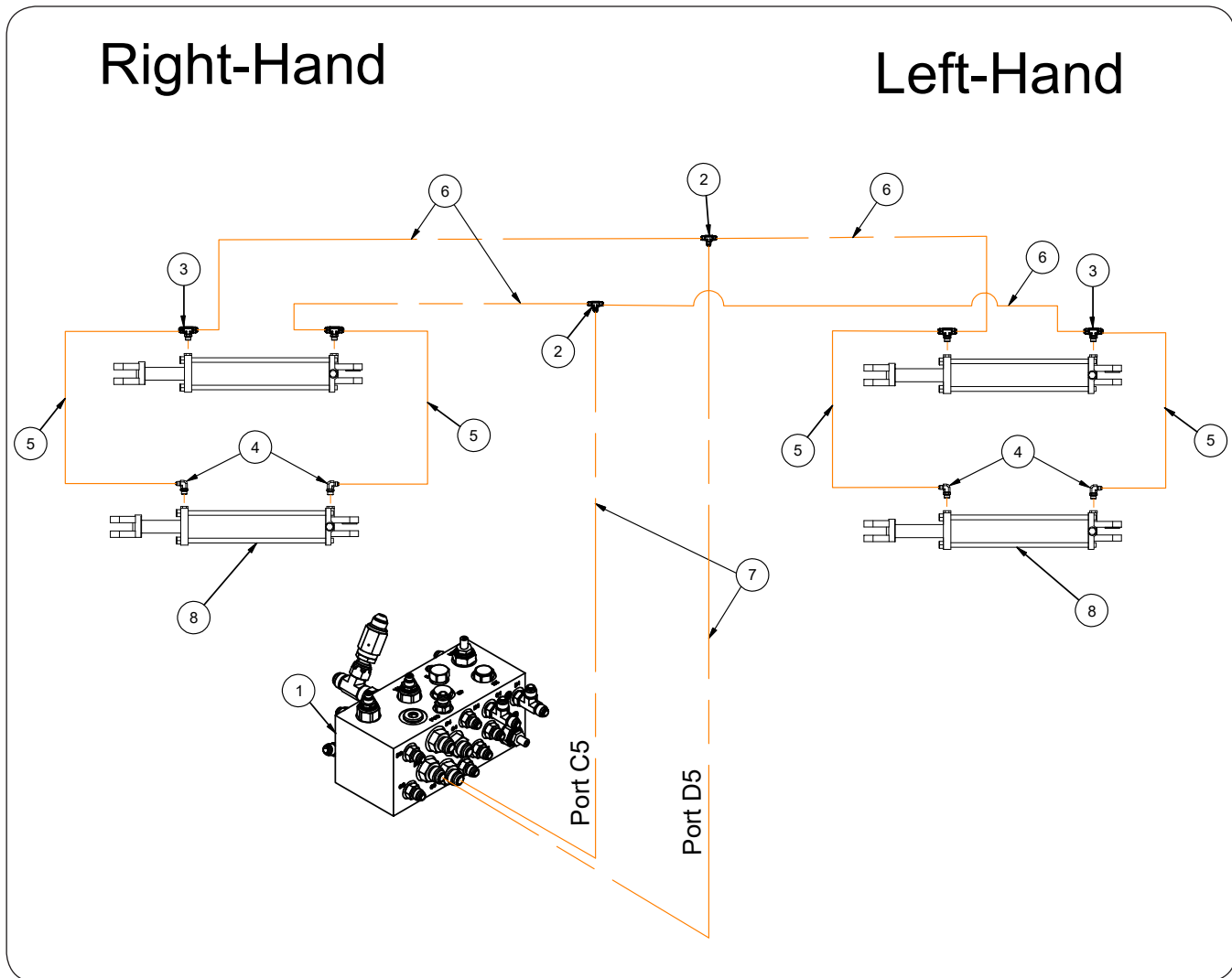


ITEM	PART NUMBER	DESCRIPTION	QTY	NOTES
1	414887B	Coulter Mount Weldment =Black=	2	Qty. 3 for 80'-20"
2	411407G	Extension Wing Weldment =Green=	1	For 80'-20" Toolbar
	411407R	Extension Wing Weldment =Red=		
	412802G	Extension Wing Weldment =Green=		
	412802R	Extension Wing Weldment =Red=		
3	67922B	Extension Clamp Casting =Black=	2	
4	9501438-122	Capscrew, 5/8-11UNC x 1 1/2 Gr.5	2	
5	9501438-134	Capscrew, 5/8-11UNC x 5 Gr.5	12	
6	9501438-442	Capscrew, 5/8-11UNC x 9 Gr.5	1	
7	9501439-036	Locknut, 5/8-11UNC Gr.5	9	
8	9501440-029	Lock Washer, 5/8	6	

Hydraulic Hoses to Main Wing Tilt Cylinders

For 80'/88'/90' Toolbars

Please visit www.unverferth.com/parts/ for the most current parts listing.



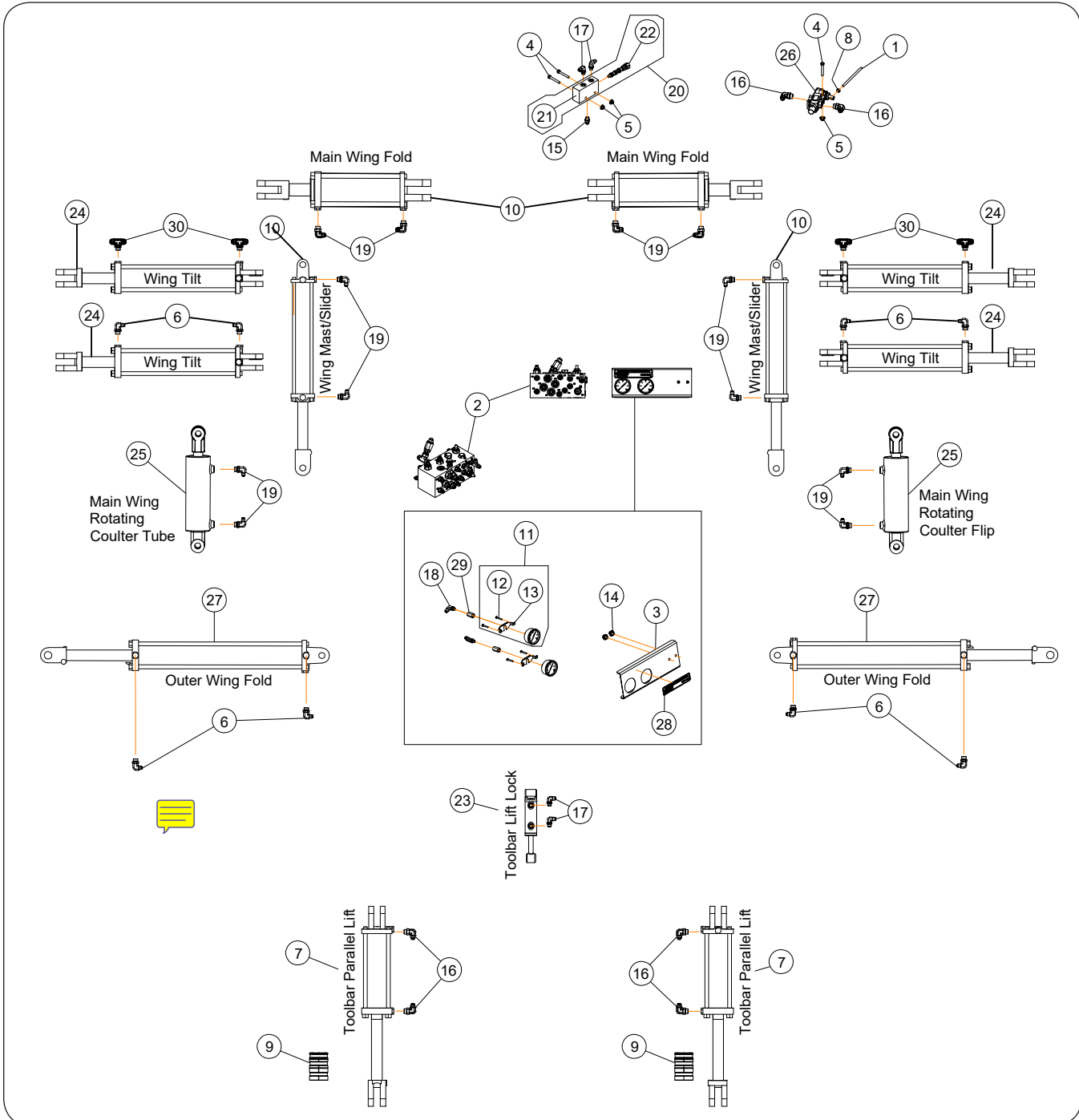
ITEM	PART NUMBER	DESCRIPTION	QTY
1	410914	Hydraulic Block Valve Assembly	1
2	9007577	Tee 3/4-16 JIC Male x 3/4-16 JIC Male x 3/4-16 JIC Male	2
3	9007606	Tee 7/8-14 Male O-Ring, 3/4-16 JIC Male x 3/4-16 JIC Male (For 80'/88'/90' Toolbars)	4
4	9006175	90° Elbow 3/4-16 Female x 7/8-14 Male	4
5	9001104	Hydraulic Hose 1/2 x 25 3/4-16 JIC Female x 3/4-16 JIC Female	4
6	94704	Hydraulic Hose 1/4 x 144 3/4-16 JIC Female x 3/4-16 JIC Female	4
7	9007328	Hydraulic Hose 1/4 x 100 3/4-16 JIC Female x 3/4-16 90° Female	2
8	9007602	Hydraulic Cylinder 4 1/2" x 10"	4 (For 80'/88'/90' Toolbars)

1800 & 2600 NutriMax Liquid Applicator — Parts

Hydraulic Components (Except Hydraulic Hoses)

— For 80', 88' & 90' Toolbars

Please visit www.unverferth.com/parts/ for the most current parts listing.



1800 & 2600 NutriMax Liquid Applicator — Parts

Hydraulic Components (Except Hydraulic Hoses) — For 80', 88' & 90' Toolbars

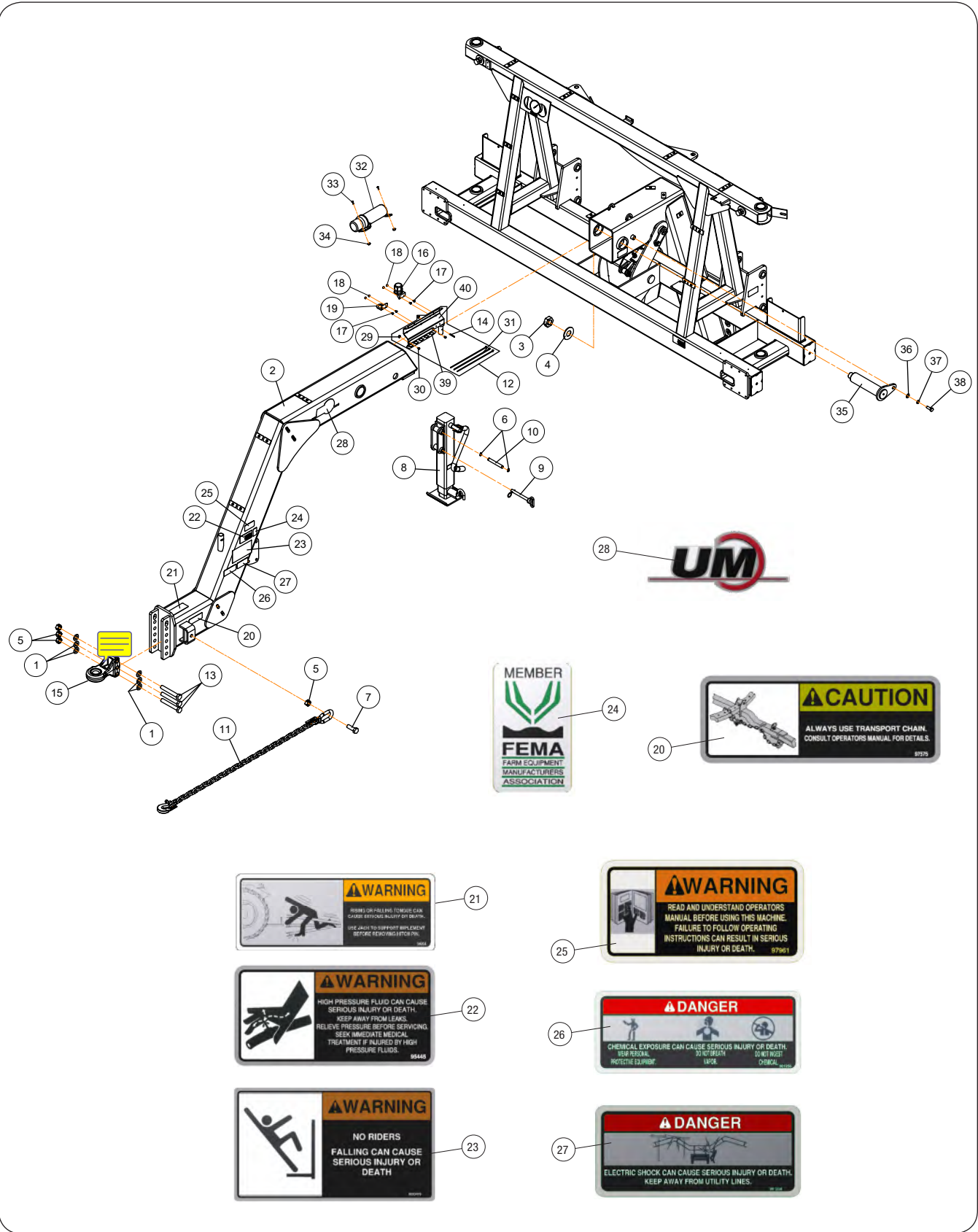
Please visit www.unverferth.com/parts/ for the most current parts listing.

ITEM	PART NUMBER	DESCRIPTION	QTY.	NOTES
1	410749	Rod Lever Plate	1	
2	410914	Hydraulic Valve Block Applicator Assembly	1	
3	411339B	Gauge Plate	1	
4	9390-035	Capscrew 5/16-18UNC x 2 1/4 (Grade 5)	4	
5	91257	Hex Nut/Large Flange 5/16-18UNC	4	
6	9006175	90° Elbow 3/4-16 Female x 7/8-14 Male	6	
7	97310	Hydraulic Cylinder 4 x 10	2	
	95407	Seal Kit	-	
8	97692	Hex Nut M8-1.25 (Class 8)	1	
9	9003729	Depth Stop Collar Kit	2	
10	96958	Hydraulic Cylinder 4 x 16	4	
	95407	Seal Kit	-	
11	9006017	Pressure Gauge Panel Assembly	2	
12	903172-329	Machine Screw, Pan Head Phillips 8-36 x 1 1/4	2	
13	9002292	Pressure Gauge Panel Mount Clamp	1	
14	9006040	Flange Screw 3/8-16UNC x 1/2 (Grade 5)	2	
15	9006150	Adapter 9/16-18 JIC Male x 9/16-18 Male O-Ring	1	
16	9006167	90° Elbow 3/4-16 JIC Male x 3/4-16 Male O-Ring	10	
17	9006171	90° Elbow 9/16-18 JIC Male x 9/16-18 Male O-Ring	4	
18	9006172	90° Elbow 9/16-18 JIC Male x 7/16-20 Male O-Ring	2	
19	9006173	90° Elbow 9/16-18 JIC Male x 3/4-16 Male O-Ring	16	
20	9006405	Flow Divider/Combiner	1	
21	9006404	Cartridge Manifold	1	
22	9006403	Flow Divider/Combiner Cartridge	1	
23	9006935	Hydraulic Cylinder 1 1/2 x 2 1/2	1	
	9006089	Seal Kit	-	
24	9007602	Hydraulic Cylinder 4 1/2 x 10	4	
	9007603	Seal Kit	-	
25	9007264	Hydraulic Cylinder 3 1/2 x 8	2	
26	9007267	Hydraulic Valve - 2-Way Diverter Valve w/ Lever Box	1	
27	9007618	Hydraulic Cylinder 5 x 30	2	
	9007593	Seal Kit	-	
28	9007579	Decal, Hydraulic Down Pressure	1	
29	9007580	Coupling 7/16-20 Female O-Ring	2	
30	9007606	Tee 7/8-14 Male O-Ring, 3/4-16 JIC Male x 3/4-16 JIC Male	4	

1800 & 2600 NutriMax Liquid Applicator — Parts

Tongue Components - 60' / 66' Units Without Steerable Hitch

Please visit www.unverferth.com/parts/ for the most current parts listing.



1800 & 2600 NutriMax Liquid Applicator — Parts

Tongue Components - 60' / 66' Units Without Steerable Hitch

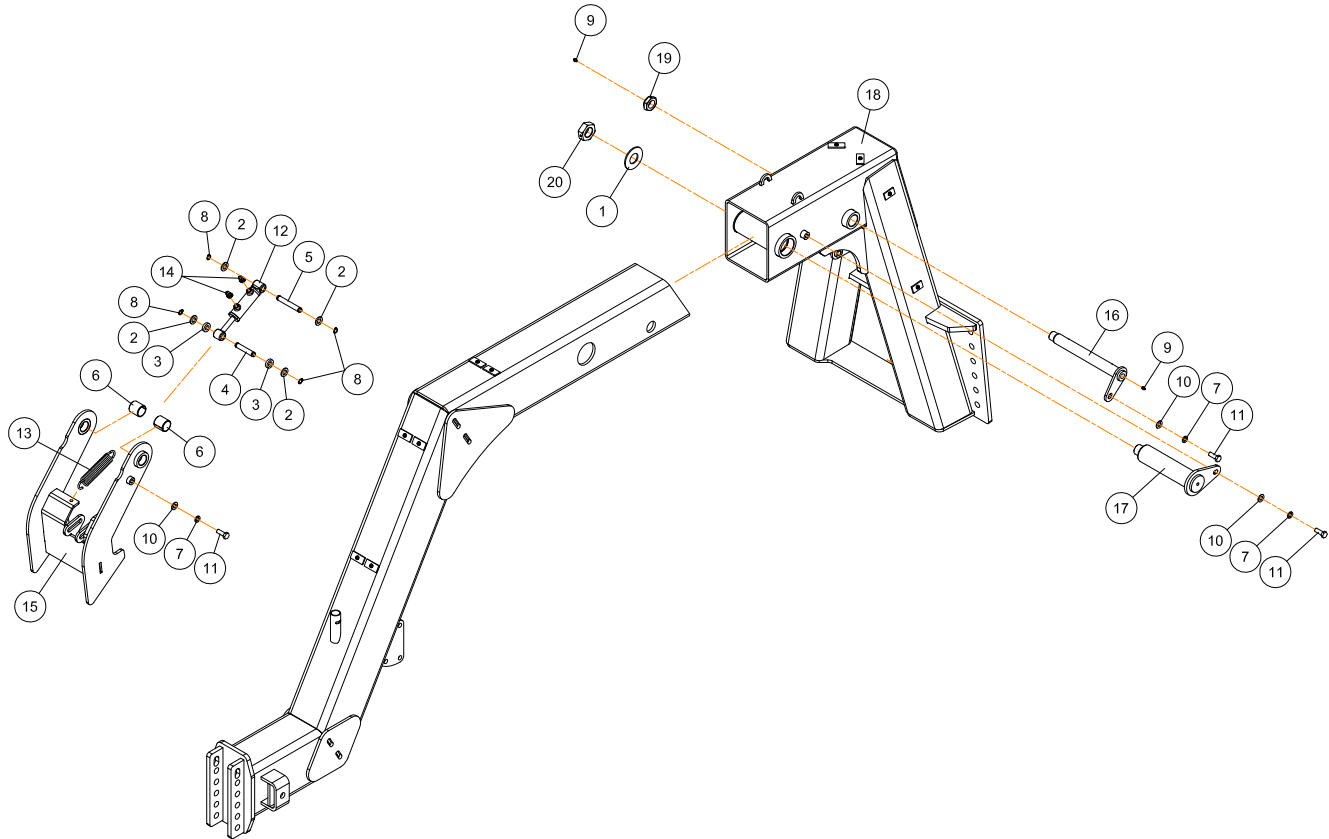
Please visit www.unverferth.com/parts/ for the most current parts listing.

ITEM	PART NUMBER	DESCRIPTION	QTY	NOTES
1	9405-116	Flat Washer 1" SAE	6	
2	414315G	Tongue Weldment =Green=	1	Includes Items 20-27
	414315R	Tongue Weldment =Red=		
3	9005290	Heavy Hex Jam Nut 1 3/4-5UNC w/Set Screw	1	
4	9405-154	Flat Washer 1 3/4" USS	1	
5	92199	Locknut 1-8UNC	4	
6	9003810	External Retaining Ring 3/4"	2	
7	9390-187	Capscrew 1-8UNC x 3	1	
8	9007176	Jack 10,000# Lift, Side Wind w/Spring Return Drop Leg	1	
9	95958	Hitch Pin 3/4" Dia. x 6 1/2 w/Hairpin Cotter	1	
10	410566	Pivot Pin 3/4" Dia. x 6	1	
11	95055	Transport Chain 40,500#	1	
12	415534B	Hose Caddy Replacement Kit (Black)	1	Includes Items 14, 29 - 31, 39 & 40 For SN B41810099 & Lower
13	91299-199	Capscrew 1-8UNC x 8	3	
14	9392-140	Roll Pin 1/4" Dia. x 2	1	
15	JAP3228	Ball Swivel Hitch, Category 4 w/Greaseable Ball	1	
16	9001968	Connector Holder	1	
17	9390-001	Capscrew 1/4-20UNC x 1/2	4	
18	9936	Locknut 1/4-20UNC	4	
19	281837B	Plate Holder =Black=	1	
20	97575	Decal, CAUTION "Transport Chain"	1	
21	94094	Decal, WARNING "Tongue May Raise or Drop Rapidly..."	1	
22	95445	Decal, WARNING "High-Pressure Fluid"	1	
23	9003476	Decal, WARNING "No-Riders"	1	
24	91605	Decal, FEMA	1	
25	97961	Decal, WARNING "Read & Understand Operator Manual"	1	
26	901256	Decal, DANGER "Chemical Exposure"	1	
27	901258	Decal, DANGER "Electric Shock"	1	
28	901607	Decal, UM Oval	2	
29	91257	Hex Nut/Large Flange 5/16-18UNC	2	
30	91256	Screw/Large Flange 5/16-18UNC x 3/4	2	
31	9000104	Cable Tie 21 1/2" x 5/16"	3	
32	900552	Manual Holder	1	
33	903174-535	Truss Head 1/4-20UNC x 3/4 Phillips Machine Screw	2	
34	97189	Hex Nut/Large Flange 1/4-20UNC	2	
35	411887	Tongue Pin Weldment	1	
36	9405-098	Flat Washer, 5/8"	1	
37	9404-029	Split Lock Washer, 5/8"	1	
38	9390-123	Capscrew, 5/8-11UNC x 1 3/4" Gr.5	1	
	97015	Touch-Up Paint =Green=	-	
	97301	Touch-Up Paint =Red=		
	97013	Touch-Up Paint =Black=		
	97012	Touch-Up Paint =Silver Mist=		
39	415536	Hose Caddy Plate	1	
40	415532B	Hose Caddy Weldment =Black=	1	

1800 & 2600 NutriMax Liquid Applicator — Parts

Center Toolbar, Latch, & Front Frame Components - 60' / 66' Units Without Steerable Hitch

Please visit www.unverferth.com/parts/ for the most current parts listing.



1800 & 2600 NutriMax Liquid Applicator — Parts

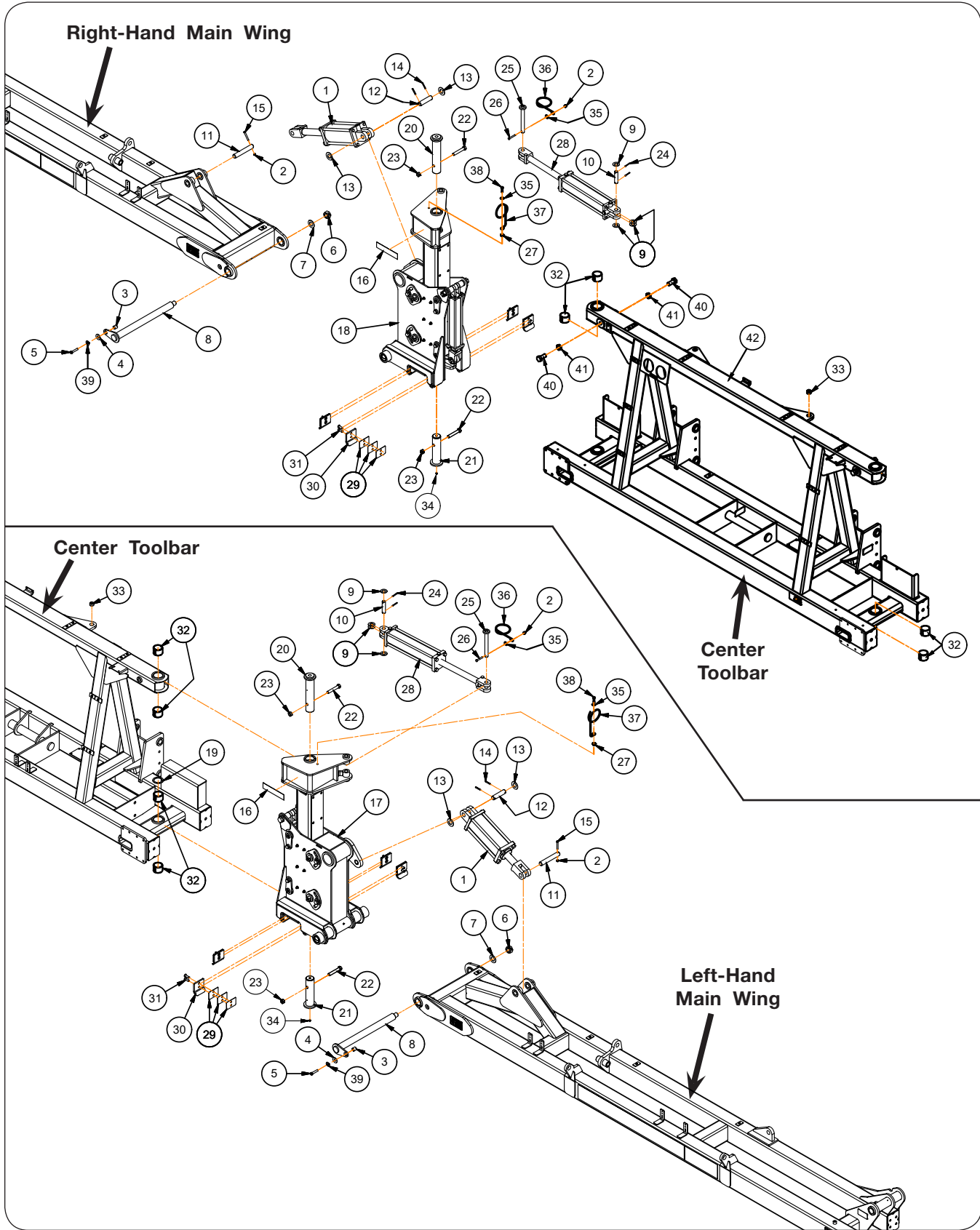
Center Toolbar, Latch, & Front Frame Components - 60' / 66' Units Without Steerable Hitch

Please visit www.unverferth.com/parts/ for the most current parts listing.

ITEM	PART NUMBER	DESCRIPTION	QTY	NOTES
1	9405-154	Flat Washer 1 3/4" USS	1	
2	9405-104	Flat Washer 3/4" SAE	4	
3	410474	Spacer Tube 1 1/2" Dia. x 3/8	2	
4	410475	Cylinder Pin 3/4" Dia. x 4 1/4	1	
5	410476	Cylinder Pin 3/4" Dia. x 5 3/8	1	
6	9002130	Split Tension Bushing 2" Dia. x 2	2	
7	9404-029	Lock Washer 5/8"	3	
8	9003810	External Retaining Ring 3/4"	4	
9	9007654	Grease Zerk	2	
10	9405-098	Flat Washer 5/8" SAE	3	
11	9390-123	Capscrew 5/8-11UNC x 1 3/4	3	
12	9006935	Hydraulic Cylinder 1 1/2 x 2 1/2	1	
13	9004436	Extension Spring	1	
14	9006171	90° Elbow, 9/16 Female O-Ring x 9/16 Male O-Ring	2	
15	411133G	Latch Weldment =Green=	1	
	411133R	Latch Weldment =Red=		
16	412362	Pivot Pin Weldment	1	
17	411887	Tongue Pin Weldment	1	
18	414314G	Front Frame Weldment =Green=	1	
	414314R	Front Frame Weldment =Red=		
19	96976-056	Locknut, 1 1/2-12UNF	1	
20	9395-049	Heavy Hex Jam Nut, 1 3/4-5 UNC Gr.5	1	

**Center Toolbar to Main Wing Components —
For 60' & 66' Toolbars**

Please visit www.unverferth.com/parts/ for the most current parts listing.



1800 & 2600 NutriMax Liquid Applicator — Parts

Center Toolbar to Main Wing Components — For 60' & 66' Toolbars

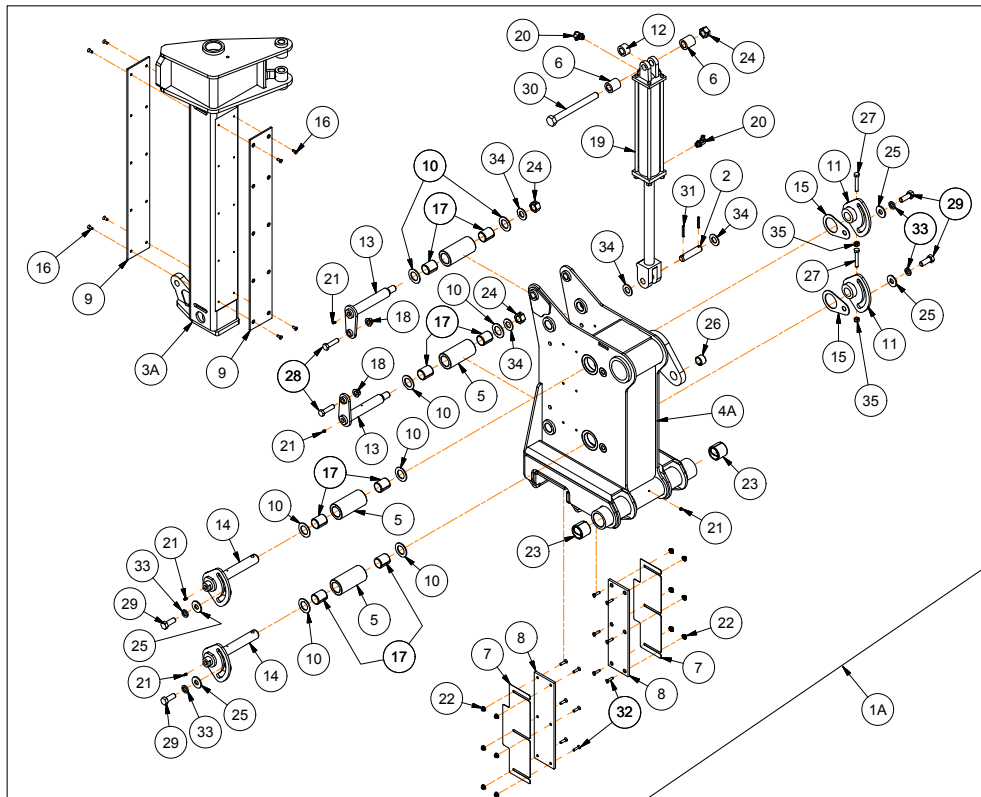
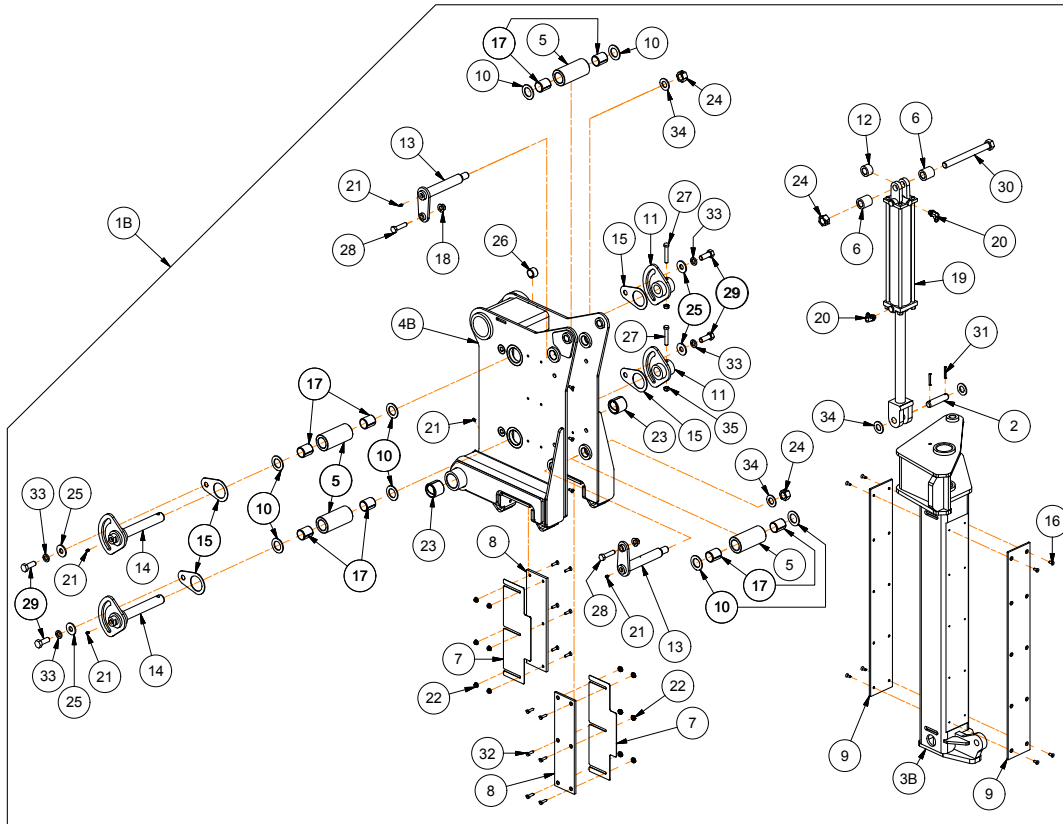
Please visit www.unverferth.com/parts/ for the most current parts listing.

ITEM	PART NUMBER	DESCRIPTION	QTY	NOTES
1	9007256	Hydraulic Cylinder 5 x 10	2	
2	9928	Locknut 3/8-16UNC	4	
3	410511	Spacer Bushing 1" Dia.	2	
4	9405-088	Flat Washer 1/2" USS	2	
5	9390-104	Capscrew 1/2-13UNC x 2 1/4	2	
6	93476	Locknut 1 1/4-17UNC	2	
7	9007160	Washer 2 1/2" Dia.	2	
8	410542	Flag Pin Weldment 2" Dia.	2	
9	9405-116	Flat Washer 1" SAE	8	
10	410447	Cylinder Pin 1" Dia. x 4 3/8	2	
11	410556	Cylinder Pin 1 1/4" Dia. x 7 7/8	2	
12	406437	Cylinder Pin 1 1/4" Dia. x 5 1/4	2	
13	9405-128	Flat Washer 1 1/4" SAE	8	
14	9392-182	Roll Pin 3/8" Dia. x 2 1/2	4	
15	9390-062	Capscrew 3/8-16UNC x 2 3/4	2	
16	9003127	Reflector =AMBER=	2	
17	410643G	Wing Mast Left-Hand Assembly =Green=	1	
	410643R	Wing Mast Left-Hand Assembly =Red=		
18	410644G	Wing Mast Right-Hand Assembly =Green=	1	
	410644R	Wing Mast Right-Hand Assembly =Red=		
19	9003100	Hardened Washer	2	
20	410785	Hinge Pin Weldment 2 1/2" Dia. x 13	2	
21	410791	Hinge Pin Weldment 2 1/2" Dia. x 10 3/8	2	
22	9390-154	Capscrew 3/4-10UNC x 4 1/2	4	
23	96732	Locknut 3/4-10UNC	4	
24	9392-140	Roll Pin 1/4" Dia. x 2	4	
25	410815	Cylinder Pin Weldment 1" Dia. x 9 7/8	2	
26	9390-063	Capscrew 3/8-16UNC x 3	2	
27	91263	Nut/Large Flange 3/8-16UNC	2	
28	96958	Hydraulic Cylinder 4 x 16	2	
29	412047	Shim Plate	A/R	
30	412044	Wear Pad Plate	8	
31	98625	Socket Head Capscrew 1/2-13UNC x 1 1/2	16	
32	9003230	Split Bushing 2 3/4" Dia. x 2	8	
33	95122	Split Tension Bushing 1 1/4" Dia. x 3/4	2	
34	9007654	Grease Zerk	4	
35	9006212	Flat Washer 3/8" (Stainless Steel)	4	
36	9008672	Hose Holder 10 9/16" Lg.	2	
37	9008673	Hose Holder 9 7/8" Lg.	2	
38	9390-057	Capscrew 3/8-16UNC x 1 1/2	2	
39	9404-025	Lock Washer 1/2"	2	
40	9390-184	Capscrew, 1-8UNC x 2 1/4 Gr.5	4	
41	9395-020	Hex Jam Nut, 1-8UNC Gr.5	4	
42	414316G	Center Toolbar Weldment =Green=	1	
	414316R	Center Toolbar Weldment =Red=		

1800 & 2600 NutriMax Liquid Applicator — Parts

Wing Mast Assembly Components — For 60' & 66' Toolbars

Please visit www.unverferth.com/parts/ for the most current parts listing.



1800 & 2600 NutriMax Liquid Applicator — Parts

Wing Mast Assembly Components — For 60' & 66' Toolbars

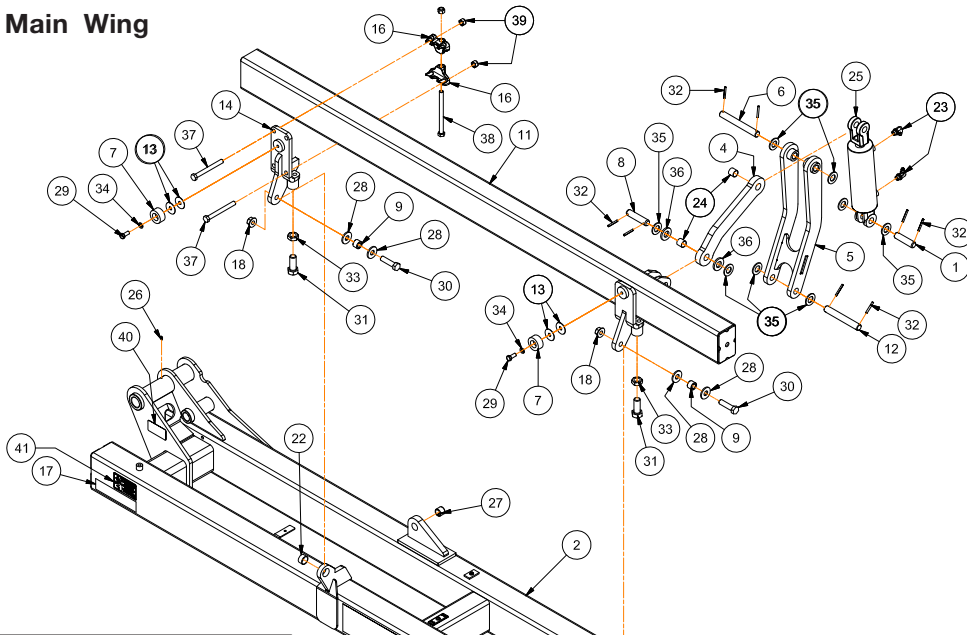
Please visit www.unverferth.com/parts/ for the most current parts listing.

ITEM	PART NUMBER	DESCRIPTION	QTY	NOTES
1A	410643G	Wing Mast Assembly Left-Hand =Green=	1	Includes Items 2, 3A, 4A, & 5 through 36
	410643R	Wing Mast Assembly Left-Hand =Red=		
1B	410644G	Wing Mast Assembly Right-Hand =Green=	1	Includes Items 2, 3B, 4B, & 5 through 36
	410644R	Wing Mast Assembly Right-Hand =Red=		
2	410447	Cylinder Pin 1" Dia. x 4 3/8	2	
3A	411441G	Wing Mast Weldment Left-Hand =Green=	1	
	411441R	Wing Mast Weldment Left-Hand =Red=		
3B	411442G	Wing Mast Weldment Right-Hand =Green=	1	
	411442R	Wing Mast Weldment Right-Hand =Red=		
4A	414301G	Wing Slide Weldment Left-Hand =Green=	1	
	414301R	Wing Slide Weldment Left-Hand =Red=		
4B	414302G	Wing Slide Weldment Right-Hand =Green=	1	
	414302R	Wing Slide Weldment Right-Hand =Red=		
5	410646	Tube Roller 2 3/4" Dia. x 5 7/8	8	
6	410648	Spacer/Bushing 1 3/4" Dia. x 1 13/16	4	
7	410653	Shim Plate 6 1/4 x 17 1/2	4	
8	410654	Wear Pad 4 1/2 x 17	4	
9	411440	Roller Wear Plate 5 x 37 3/4	4	
10	410702	Roller Washer 2 1/2" Dia.	16	
11	410709	Roller Adjustment Weldment	4	
12	410798	Spacer/Bushing 1 3/4" Dia. x 1	2	
13	410803	Roller Pin Weldment 1 1/2" Dia. x 10 7/16	4	
14	410806	Roller Adjustment Pin Weldment 1 1/2" Dia. x 11 9/16	4	
15	411142	Roller Shim Adjustment Plate	8	
16	902703-029	Flat Head/Socket Head Capscrew 5/16-18UNC x 3/4	40	
17	9002806	Split Tension Bushing 1 3/4" Dia. x 2	16	
18	9003398	Locknut 5/8-11UNC	4	
19	9004660	Hydraulic Cylinder 3 x 16	2	
20	9006173	90° Elbow 9/16 Female O-Ring x 3/4 Male O-Ring	4	
21	9501603	Grease Zerk	10	
22	91257	Hex Nut/Large Flange 5/16-18UNC	24	
23	95123	Tension Bushing 2 3/8" Dia. x 2	4	
24	92199	Locknut 1-8UNC	6	
25	93425	Flat Washer 3/4"	8	
26	93622	Tension Bushing 1 1/2" Dia. x 1	2	
27	9390-107	Capscrew 1/2-13UNC x 3	4	Grade 5
28	9390-126	Capscrew 5/8-11UNC x 2 1/2	4	Grade 5
29	9390-145	Capscrew 3/4-10UNC x 2	8	Grade 5
30	9390-464	Capscrew 1-8UNC x 10	2	Grade 5
31	9392-140	Roll Pin 1/4" Dia. x 2	4	
32	903171-662	Flat Head/Phillips Machine Screw 5/16-18UNC x 1 1/4	24	
33	9404-033	Lock Washer 3/4"	8	
34	9405-116	Flat Washer 1" SAE	8	
35	94981	Locknut 1/2-13UNC	4	

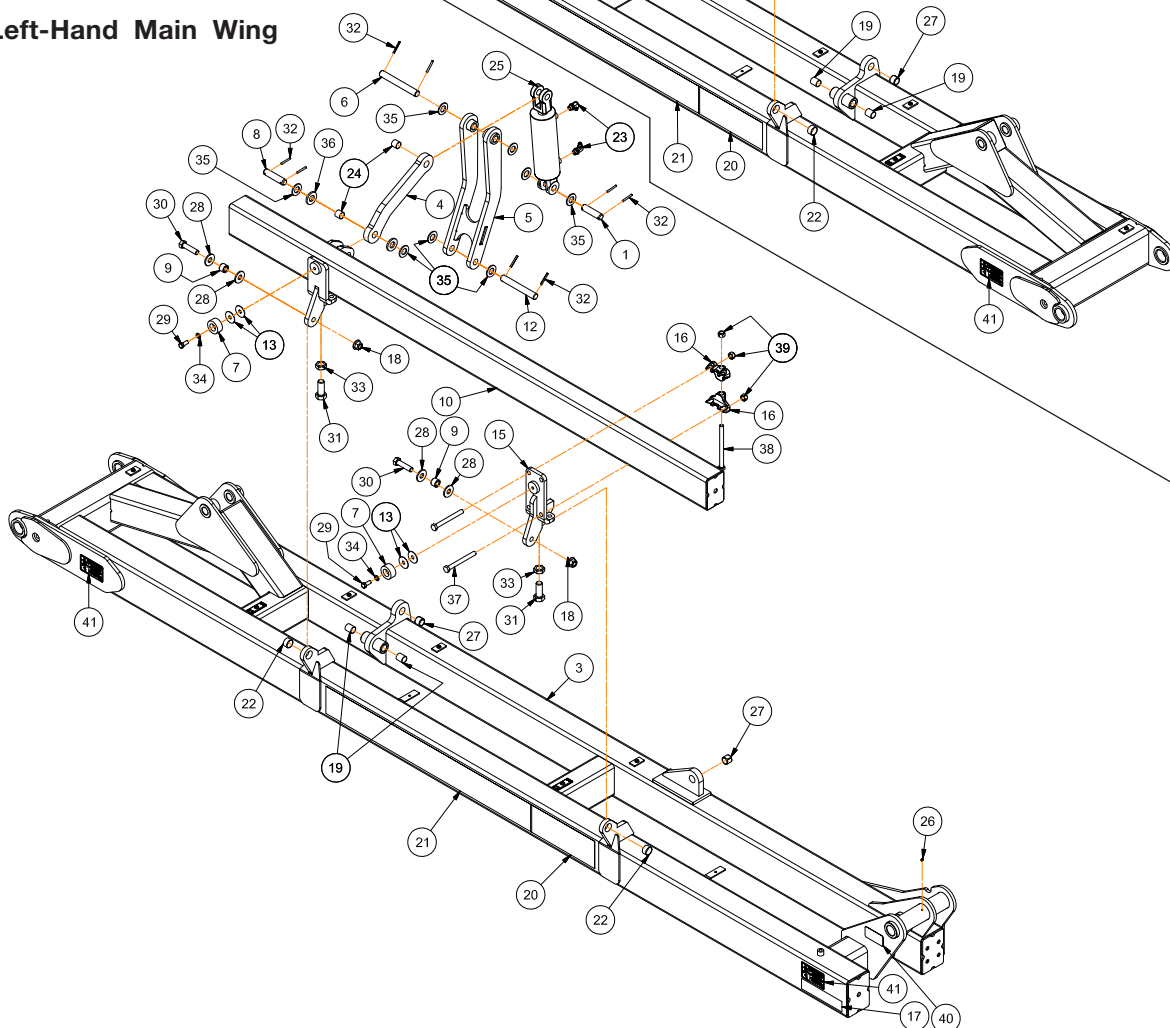
Main Wing Components — For 60' & 66' Toolbars

Please visit www.unverferth.com/parts/ for the most current parts listing.

Right-Hand Main Wing



Left-Hand Main Wing



1800 & 2600 NutriMax Liquid Applicator — Parts

Main Wing Components — For 60' & 66' Toolbars

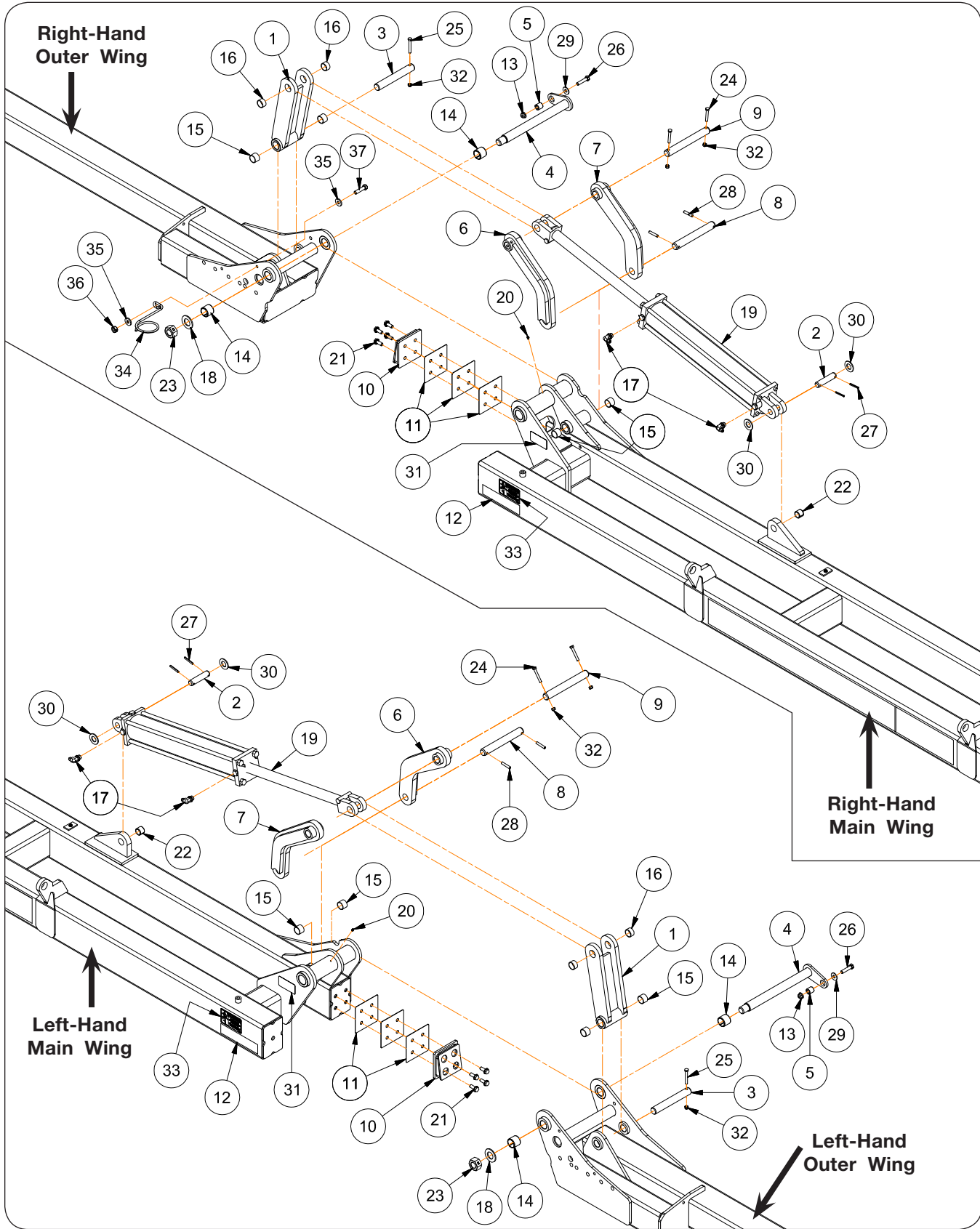
Please visit www.unverferth.com/parts/ for the most current parts listing.

ITEM	PART NUMBER	DESCRIPTION	QTY	NOTES
1	250104	Cylinder Pin 1" Dia. x 4	2	
2	414317G	Main Wing Weldment Right-Hand =Green=	1	
	414317R	Main Wing Weldment Right-Hand =Red=		
3	414318G	Main Wing Weldment Left-Hand =Green=	1	
	414318R	Main Wing Weldment Left-Hand =Red=		
4	410368B	Pivoting Coulter Tube Link Plate =Black=	2	
5	410373B	Fold Link Weldment =Black=	2	
6	410382	Linkage Pin 1" Dia. x 8	2	
7	410386	Stop Rod 2 1/4" Dia. x 1 1/2	4	
8	410447	Cylinder Pin 1" Dia. x 4 3/8	2	
9	410462	Pivot Tube Bushing 1 1/4" Dia. x 1	4	
10	410529G	Pivoting Coulter Tube Weldment Left-Hand =Green=	1	
	410529R	Pivoting Coulter Tube Weldment Left-Hand =Red=		
11	410530G	Pivoting Coulter Tube Weldment Right-Hand =Green=	1	
	410530R	Pivoting Coulter Tube Weldment Right-Hand =Red=		
12	410558	Linkage Pin 1" Dia. x 7 3/8	2	
13	410949	Shim Plate 2" Dia.	A/R	
14	411120G	Wing Hinge Weldment Right-Hand =Green=	1	
	411120R	Wing Hinge Weldment Right-Hand =Red=		
15	411121G	Wing Hinge Weldment Left-Hand =Green=	1	
	411121R	Wing Hinge Weldment Right-Hand =Red=		
16	67922B	Extension Clamp =Black=	4	
17	9003127	Reflector =Amber=	2	
18	9003399	Locknut/Flange Washer 3/4-10UNC	4	
19	9003440	Self-Lubricating Bushing 1.13" Dia. x 1 1/4	4	
20	9004213	Decal, UM Logo Tail	2	
21	9004298	Decal, UM Logo	2	
22	9004396	Self-Lubricating Bushing 1.41" Dia. x .75	4	
23	9006173	90° Elbow 9/16 Female O-Ring x 3/4 Male O-Ring	4	
24	9007175	Self-Lubricating Bushing 1.12" Dia. x 1	4	
25	9007264	Hydraulic Welded Cylinder 3 1/2 x 8	2	
26	9501603	Grease Zerk	2	
27	91268	Tension Bushing 1 1/4" Dia. x 1	4	
28	93425	Flat Washer 3/4"	8	
29	9390-100	Capscrew 1/2-13UNC x 1 1/4	4	
30	9390-149	Capscrew 3/4-10UNC x 3	4	
31	9390-185	Capscrew 1-8UNC x 2 1/2	4	
32	9392-140	Roll Pin 1/4" Dia. x 2	16	
33	9395-020	Hex Jam Nut 1-8UNC	4	
34	9404-025	Lock Washer 1/2"	4	
35	9405-116	Flat Washer 1" SAE	16	
36	9448	Flat Washer 1" (Hardened)	4	
37	9501438-136	Capscrew 5/8-11UNC x 6 (Black)	8	
38	9501438-140	Capscrew 5/8-11UNC x 8 (Black)	2	
39	9501439-036	Locknut 5/8-11UNC (Black)	10	
40	95839	Decal, WARNING "Pinch Point"	2	
41	TA510079	Decal, WARNING "Stand Clear...Folding/Unfolding"	4	

1800 & 2600 NutriMax Liquid Applicator — Parts

Main Wing to Outer Wing Components — For 60' & 66' Toolbars

Please visit www.unverferth.com/parts/ for the most current parts listing.



1800 & 2600 NutriMax Liquid Applicator — Parts

Main Wing to Outer Wing Components — For 60' & 66' Toolbars

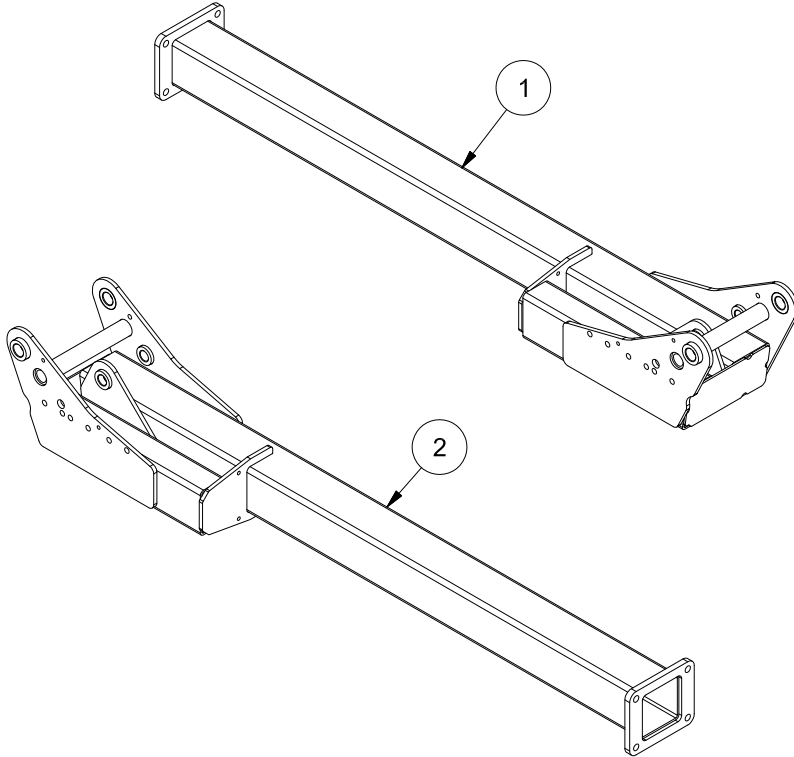
Please visit www.unverferth.com/parts/ for the most current parts listing.

ITEM	PART NUMBER	DESCRIPTION	QTY	NOTES
1	410414B	Outer Link Weldment =Black=	2	
2	410447	Cylinder Pin 1" Dia. x 4 3/8	2	
3	410507	Linkage Pin 1 1/4" Dia. x 8 3/4	2	
4	410508	Outer Wing Pin Weldment 1 1/2" Dia. x 17 1/4	2	
5	410511	Spacer Bushing 1" Dia. x 1	2	
6	410513B	Linkage Weldment Left-Hand =Black=	2	
7	410514B	Linkage Weldment Right-Hand =Black=	2	
8	410520	Fold Linkage Pin 1 1/4" Dia. x 9 1/2	2	
9	410521	Upper Linkage Pin 1 1/4" Dia. x 10 1/8	2	
10	410880B	Wing Stop Weldment =Black=	2	
11	411278	Shim Plate 5 1/2 x 5 1/2	A/R	
12	9003127	Reflector =Amber=	2	
13	9003397	Locking Flange Nut 1/2-13UNC	2	
14	9003553	Split Tension Bushing 1 3/4" Dia. x 1 1/2	4	
15	9003828	Self-Lubricating Bushing 1.41" Dia. x 1	8	
16	9004396	Self-Lubricating Bushing 1.41" Dia. x .75	4	
17	9006173	90° Elbow 9/16 Female O-Ring x 3/4 Male O-Ring	4	
18	9007160	Hardened Washer 2 1/2" Dia.	2	
19	9007452	Hydraulic Cylinder 4 x 24	2	
20	9501603	Grease Zerk	2	
21	91266	Flange Screw 1/2-13UNC x 1 1/4	8	
22	91268	Tension Bushing 1 1/4" Dia. x 1	2	
23	93476	Locknut 1 1/4-7UNC	2	
24	9390-061	Capscrew 3/8-16UNC x 2 1/2	4	
25	9390-062	Capscrew 3/8-16UNC x 2 3/4	2	
26	9390-104	Capscrew 1/2-13UNC x 2 1/4	2	
27	9392-140	Roll Pin 1/4" Dia. X 2	4	
28	9392-180	Roll Pin 3/8" Dia. X 2	4	
29	9405-088	Flat Washer 1/2" USS	2	
30	9405-116	Flat Washer 1" SAE	4	
31	95839	Decal, WARNING "Pinch Point"	2	
32	9928	Locknut 3/8-16UNC	6	
33	TA510079	Decal, WARNING "Stand Clear...Folding/Unfolding"	4	
34	9007747	Hose Holder	1	
35	9006212	Flat Washer, 3/8"	2	
36	900906-006	Center Locknut, 3/8"-16UNC	1	
37	900900-057	Capscrew, 3/8"-16UNC x 1 1/2	1	

1800 & 2600 NutriMax Liquid Applicator — Parts

Outer Wing Components — For 60' & 66' Toolbars

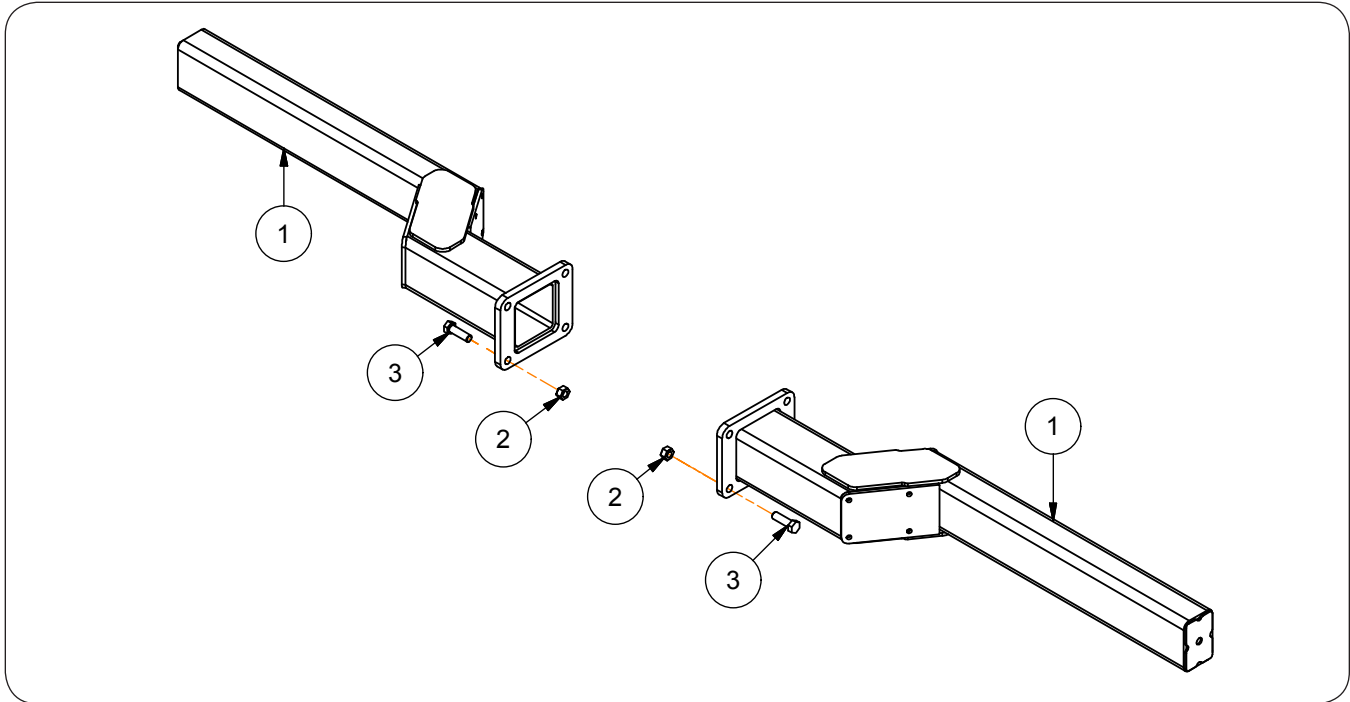
Please visit www.unverferth.com/parts/ for the most current parts listing.



ITEM	PART NUMBER	DESCRIPTION	QTY	NOTES
1	411953G	Outer Wing Weldment Right-Hand =Green=	1	
	411953R	Outer Wing Weldment Right-Hand =Red=		
2	411952G	Outer Wing Weldment Left-Hand =Green=	1	
	411952R	Outer Wing Weldment Left-Hand =Red=		

Extension Wing Components — For 66' Toolbars

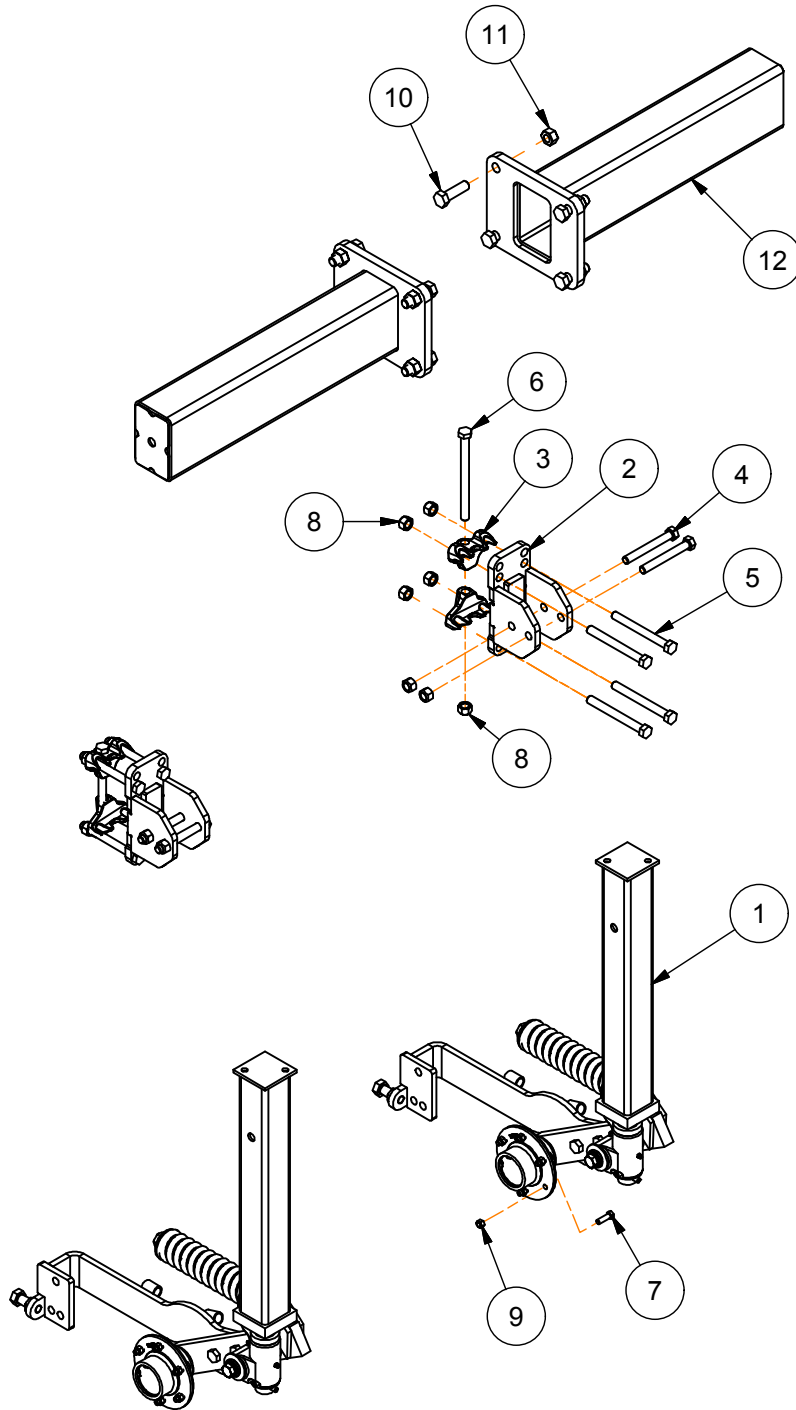
Please visit www.unverferth.com/parts/ for the most current parts listing.



ITEM	PART NUMBER	DESCRIPTION	QTY	NOTES
1	410434G	66' Toolbar Extension Weldment =Green=	2	
	410434R	66' Toolbar Extension Weldment =Red=		
2	96732	Locknut 3/4-10UNC	8	
3	9390-147	Capscrew 3/4-10UNC x 2 1/2	8	Grade 5

Add-On Coulter Packages — For 60' & 66' Toolbars

Please visit www.unverferth.com/parts/ for the most current parts listing.



Add-On Coulter Packages — For 60' & 66' Toolbars

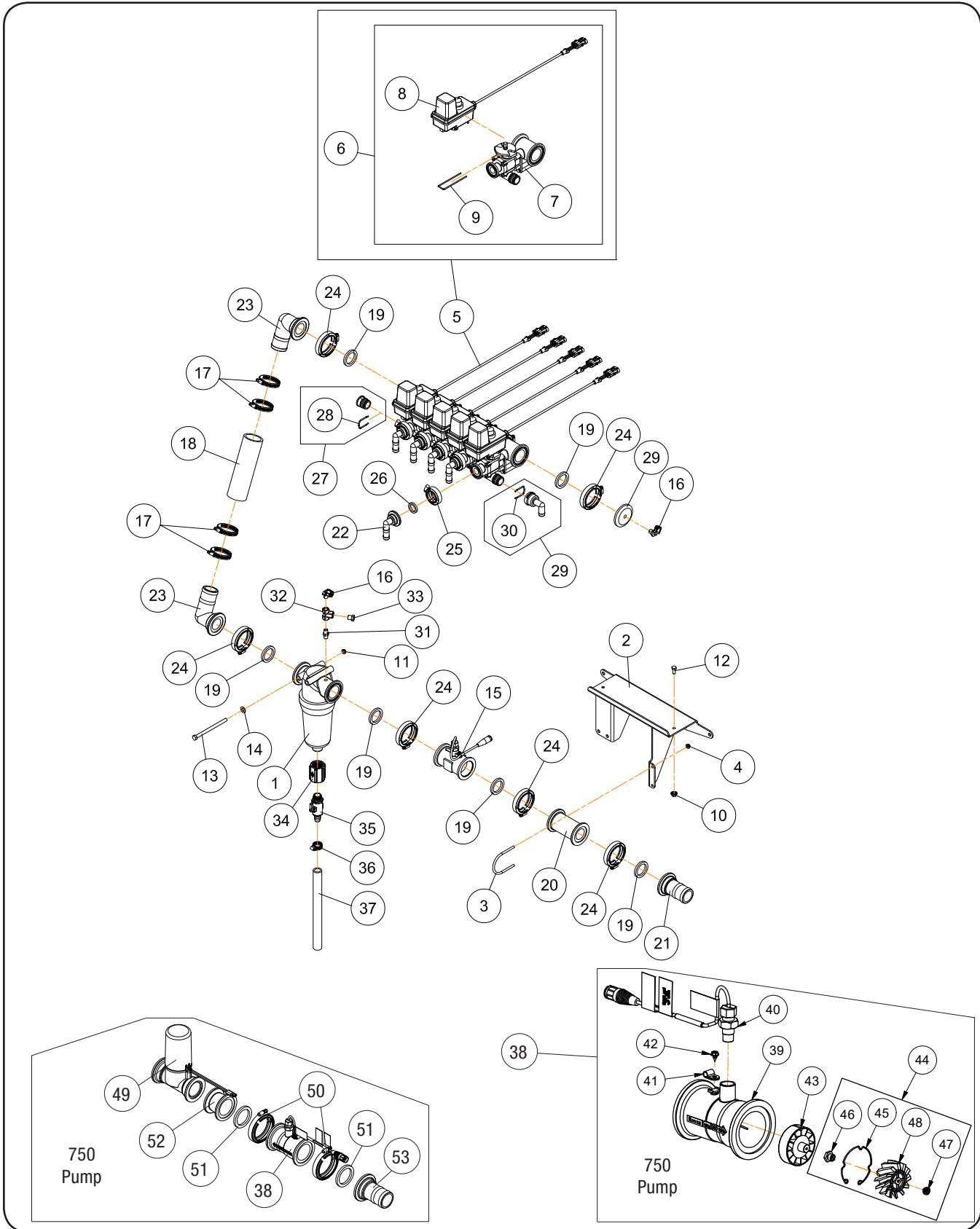
Please visit www.unverferth.com/parts/ for the most current parts listing.

ITEM	PART NUMBER	DESCRIPTION	QTY.	NOTES
	412020B	Add-On Coulter Package (2 Coulters For 66' / 22" Rows) (Black)	-	Includes Items 1 through 9
	412019G	Add-On Coulter Package (2 Coulters For 60' / 20" & 30" Rows) (Green)		Includes Items 1 through 12
	412019R	Add-On Coulter Package (2 Coulters For 60' / 20" & 30" Rows) (Red)		
1	67931B	Coulter Post Assembly (Straight Post) (Black)	2	
2	414887B	Coulter Mount Weldment (Black)	2	
3	67922B	Extension Clamp (Black)	4	
4	9501438-134	Capscrew 5/8-11UNC x 5 (Black)	4	
5	9501438-136	Capscrew 5/8-11UNC x 6 (Black)	8	
6	9501438-140	Capscrew 5/8-11UNC x 8 (Black)	2	
7	9501438-056	Capscrew 3/8-16UNC x 1 1/4	12	Grade 5
8	9501439-036	Locknut 5/8-11UNC (Black)	14	
9	9501439-032	Locknut 3/8-16UNC	12	
10	9390-147	Capscrew 3/4-10UNC x 2 1/2	8	Grade 5
11	96732	Locknut 3/4-10UNC	8	
12	410824G	Extension Weldment (Green)	2	For 60' Toolbar
	410824R	Extension Weldment (Red)		

1800 & 2600 NutriMax Liquid Applicator — Parts

5 Section Manifold Components — For 60' & 66' Toolbars

Please visit www.unverferth.com/parts/ for the most current parts listing.



1800 & 2600 NutriMax Liquid Applicator — Parts

5 Section Manifold Components — For 60' & 66' Toolbars

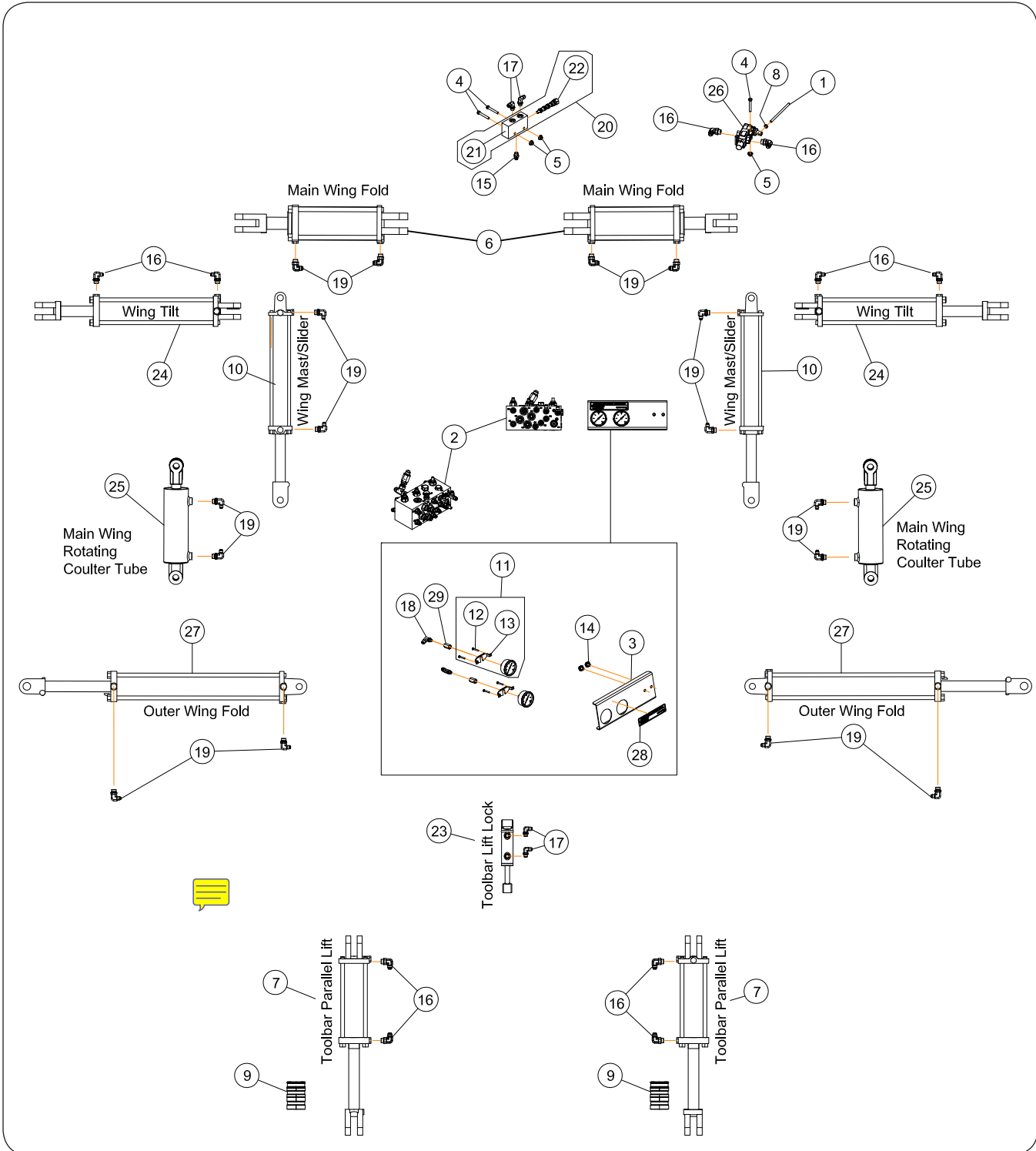
Please visit www.unverferth.com/parts/ for the most current parts listing.

ITEM	PART NUMBER	DESCRIPTION	QTY	NOTES
	412060B	5 Section Manifold Assembly	-	Includes Items 1 through 30
1	402255	2" Strainer	1	
2	410865B	Valve Bracket Weldment =Black=	1	
3	9004681	U-Bolt	1	
4	9004720	Serrated Flange Nut	2	
5	9006801	Five Ball Valve Assembly	1	
6	TA854881	Ball Valve Assembly	5	
7	TA854882	Ball Valve	1	
8	TA854874	Valve Motor	1	
9	TA854875	Retainer Clip	1	
10	91257	Flange Nut 5/16-18UNC	2	
11	91263	Nut/Large Flange 3/8-16UNC	2	
12	9390-028	Capscrew 5/16-18UNC x 3/4	2	
13	9390-070	Capscrew 3/8-16UNC x 5 1/2	2	
14	9405-074	Flat Washer 3/8" SAE	2	
15	TA720365	Flow Meter	1	
16	TA720802	1/4" NPT Elbow	2	
17	TA800922	Hose Clamp	4	
18	TA806328	Hose	1	
19	TA811944	Gasket	6	
20	TA815003	Coupling - 2" Flange	1	
21	TA815016	Adapter 2" Flange x 2" Barb	1	
22	TA815017	90° Elbow - Hose Barb	5	
23	TA815021	90° Elbow - 2" Flange to Barb	2	
24	TA815025	2" Flange Clamp	6	
25	TA815026	1" Flange Clamp	5	
26	TA815029	Gasket 1" Flange	5	
27	TA854884	Plug Kit	1	
28	TA854883	Wire Clip Retainer	1	
29	TA854885	Adapter Kit	1	
30	TA854883	Wire Clip Retainer	1	
31	TA809325	Hex Pipe Nipple, 1/4"	1	
32	TA809190	Tee, 1/4"	1	
33	TA809875	Hex Plug, 1/4"-18 NPT	1	
34	TA814710	Poly Coupling Reducer, 1" x 3/4"	1	
35	9007699	Poly Valve, 3/4" MPT x 3/4" HB	1	
36	TA800910	Hose Clamp, 1/2" SAE (SS)	1	
37	TA806250	Hose, 3/4" Dia. x 12 EPDM	1	
38	9007613	Flow Meter (RFM 100)	1	750 Pump
39	9009608	Flow Meter Body (RFM 100)	1	
40	9009609	Sensor Assembly - CON-X-ALL Connector	1	
41	9009610	Cable Clamp, 1/4" x 1/2"	1	
42	9009611	Thread Forming Screw, #10-16UNC x 3/8"	1	
43	9009615	Upstream Hub/Bearing Assembly RFM-100P	1	
44	9009619	Flow Meter Service Kit	1	
45	9009612	Wireform Retaining Ring	1	
46	9009616	Turbine Threaded Stud	1	
47	9009617	Flow Meter Downstream Stud	1	
48	9009618	Flow Meter Turbine RFM-100P	1	
49	TA720260	Flow Control Valve - 1.5"	1	
50	TA816000	Clamp, 2"	2	
51	TA816001	Gasket, 2"	2	
52	TA816007	Reducer Coupling, (2" x 2")	1	
53	TA816008	Straight Hose Barb, 2" FP Flange	1	

1800 & 2600 NutriMax Liquid Applicator — Parts

Hydraulic Components (Except Hydraulic Hoses) — For 60' & 66' Toolbars

Please visit www.unverferth.com/parts/ for the most current parts listing.



1800 & 2600 NutriMax Liquid Applicator — Parts

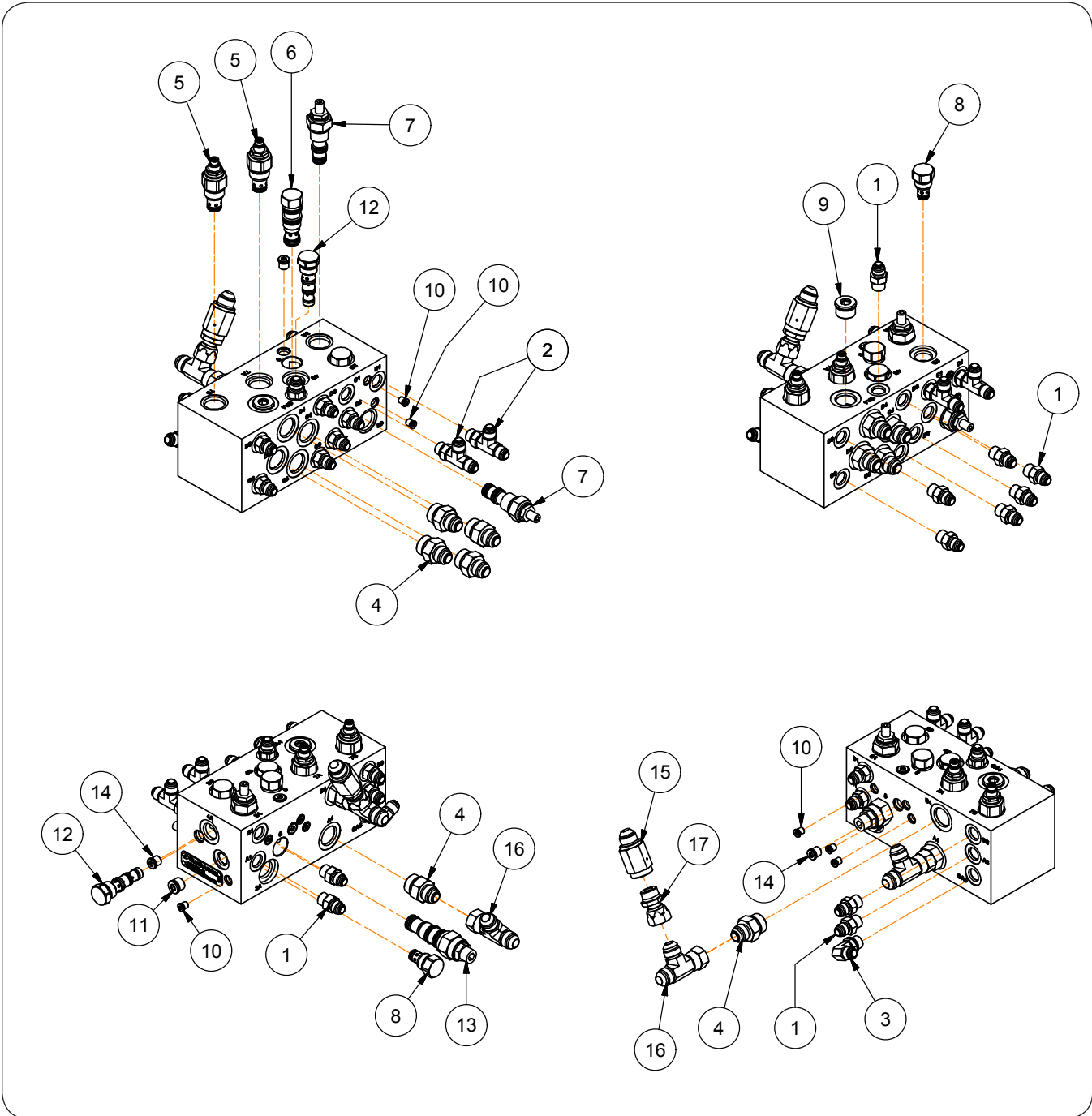
Hydraulic Components (Except Hydraulic Hoses) — For 60' & 66' Toolbars

Please visit www.unverferth.com/parts/ for the most current parts listing.

ITEM	PART NUMBER	DESCRIPTION	QTY.	NOTES
1	410749	Rod Lever Plate	1	
2	410914	Hydraulic Valve Block Applicator Assembly	1	
3	411339B	Gauge Plate	1	
4	9390-035	Capscrew 5/16-18UNC x 2 1/4 (Grade 5)	4	
5	91257	Hex Nut/Large Flange 5/16-18UNC	4	
6	96958	Hydraulic Cylinder 4 x 16	2	
	95407	Seal Kit	-	
7	97310	Hydraulic Cylinder 4 x 10	2	
	95407	Seal Kit	-	
8	97692	Hex Nut M8-1.25 (Class 8)	1	
9	9003729	Depth Stop Collar Kit	2	
10	9004660	Hydraulic Cylinder 3 x 16	2	
	9004661	Seal Kit	-	
11	9006017	Pressure Gauge Panel Assembly	2	
12	903172-329	Machine Screw, Pan Head 8-36UNF x 1 1/4	2	
13	9002292	Pressure Gauge Panel Mount Clamp	1	
14	9006040	Flange Screw 3/8-16UNC x 1/2 (Grade 5)	2	
15	9006150	Adapter 9/16-18 JIC Male x 9/16-18 Male O-Ring	1	
16	9006167	90° Elbow 3/4-16 JIC Male x 3/4-16 Male O-Ring	10	
17	9006171	90° Elbow 9/16-18 JIC Male x 9/16-18 Male O-Ring	4	
18	9006172	90° Elbow 9/16-18 JIC Male x 7/16-20 Male O-Ring	2	
19	9006173	90° Elbow 9/16-18 JIC Male x 3/4-16 Male O-Ring	16	
20	9006405	Flow Divider/Combiner	1	
21	9006404	Cartridge Manifold	1	
22	9006403	Flow Divider/Combiner Cartridge	1	
23	9006935	Hydraulic Cylinder 1 1/2 x 2 1/2	1	
	9006089	Seal Kit	-	
24	9007256	Hydraulic Cylinder 5 x 10	2	
	9007593	Seal Kit	-	
25	9007264	Hydraulic Cylinder 3 1/2 x 8	2	
	9007880	Seal Kit	-	
26	9007267	Hydraulic Valve - 2-Way Diverter Valve w/ Lever Box	1	
27	9007452	Hydraulic Cylinder 4 x 24	2	
	95407	Seal Kit	-	
28	9007579	Decal, Hydraulic Down Pressure	1	
29	9007580	Coupling 7/16-20 Female O-Ring	2	

Hydraulic Valve Block Applicator Assembly Components
— For 60'/66'/80'/88'/90' Toolbars

Please visit www.unverferth.com/parts/ for the most current parts listing.



1800 & 2600 NutriMax Liquid Applicator — Parts

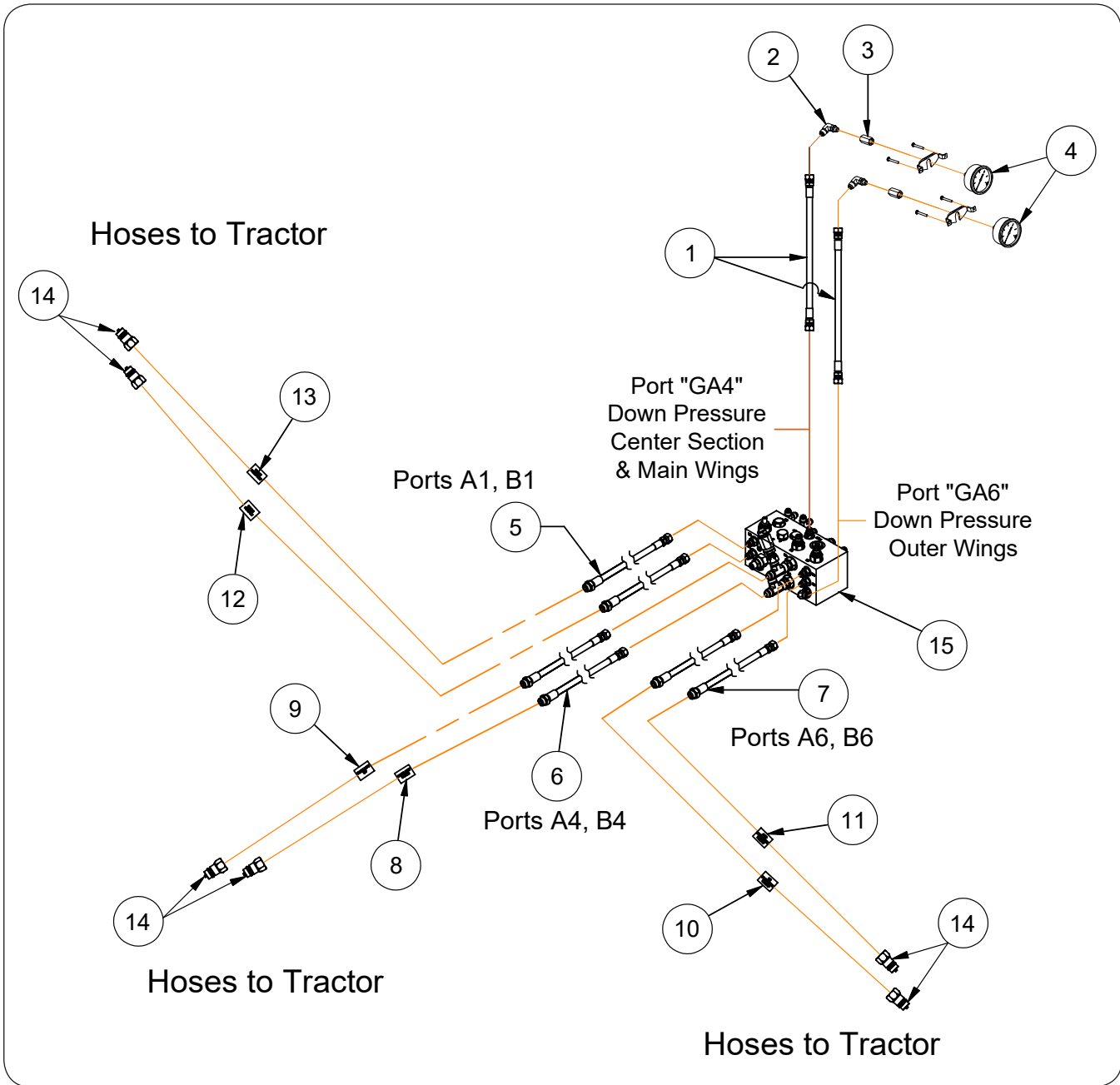
Hydraulic Valve Block Applicator Assembly Components — For 60'/66'/80'/88'/90' Toolbars

Please visit www.unverferth.com/parts/ for the most current parts listing.

ITEM	PART NUMBER	DESCRIPTION	QTY.	NOTES
	410914	Hydraulic Valve Block Applicator Assembly	-	Includes Items 1 through 17
1	9006150	Adapter 9/16-16 JIC Male x 9/16-16 Male O-Ring	11	
2	9006170	Tee 9/16 JIC Male x 9/16 JIC Male x 9/16 Male O-Ring	2	
3	9006171	90° Elbow 9/16 JIC Male x 9/16 Male O-Ring	1	
4	9006176	Adapter 3/4-16 JIC Male x 7/8-14 Male O-Ring	6	
5	9007382	Cartridge Valve - Down Pressure	2	
6	9007381	Valve	1	
7	9007240	Cartridge Valve - Sequence Valve	2	
8	9007239	Valve	2	
9	99878	Plug, 7/8-14 with Hollow Hex Socket	1	
10	9006082	Plug, Hollow Hex O-Ring	10	
11	9003423	Plug, with Hollow Hex Socket 9/16-18 O-Ring Male Boss	1	
12	9007241	Valve	2	
13	9007380	Valve	1	
14	9002598	Plug, with Hollow Hex Socket 7/16-20 O-Ring Male Boss	5	
15	94909	Check Valve 3/4-16 JIC Male x 3/4-16 Female	1	
16	95059	Tee 3/4-16 JIC Male x 3/4-16 JIC Male x 3/4-16 Female	2	
17	96935	Adapter 3/4-16 Male O-Ring x 3/4-16 Female	1	

Hydraulic Hoses to Tractor & Toolbar Down Pressure Gauge
For 60'/66'/80'/88'/90' Toolbars

Please visit www.unverferth.com/parts/ for the most current parts listing.



1800 & 2600 NutriMax Liquid Applicator — Parts

Hydraulic Hoses to Tractor & Toolbar Down Pressure Gauge For 60'/66'/80'/88'/90' Toolbars

Please visit www.unverferth.com/parts/ for the most current parts listing.

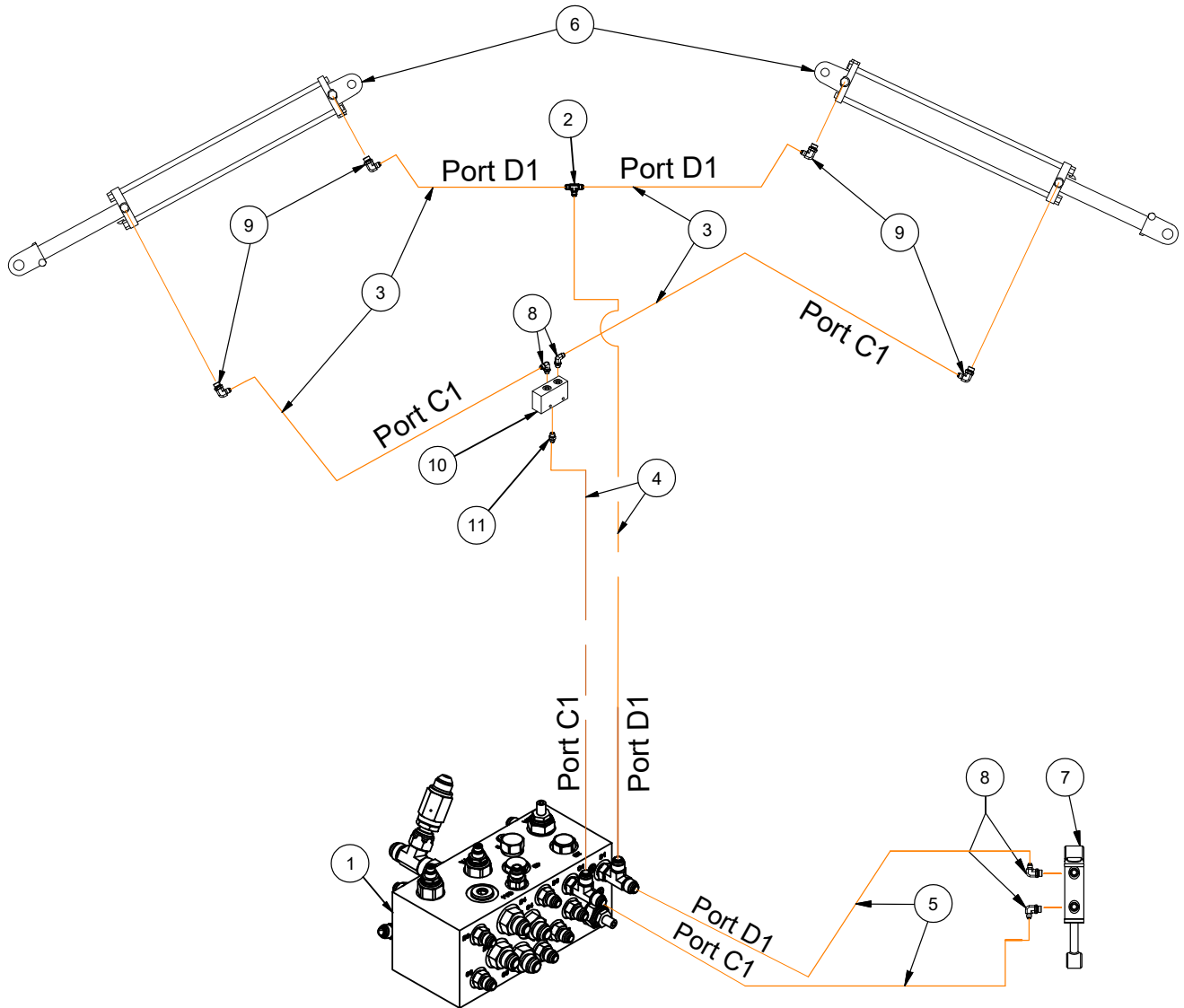
ITEM	PART NUMBER	DESCRIPTION	QTY	NOTES
1	9004109	Hydraulic Hose 1/4" x 14" 9/16-18 JIC Female x 9/16-18 JIC 90° Female Short Drop	2	
2	9006172	90° Elbow 9/16 Male Flare x 7/16 O-Ring Male	2	
3	9007580	Coupling-O-Ring, 7/16	2	
4	9006017	Gauge (3000 PSI)	2	
5	9005003	Hydraulic Hose 1/4" x 360" 3/4-16 O-Ring Male x 9/16-18 JIC Female	2	
6	9008648	Hydraulic Hose 1/2" x 360" 3/4-16 O-Ring Male x 3/4-16 JIC Female	2	
7	9008649	Hydraulic Hose 3/8" x 360" 3/4-16 O-Ring Male x 9/16-18 JIC Female	2	
8	9007463	Hose Marker-Main Lift Down (Red)	1	
9	9007464	Hose Marker-Main Lift Up (Red)	1	
10	9007466	Hose Marker-Outer Wing Fold In (Blue)	1	
11	9007465	Hose Marker-Outer Wing Fold Out (Blue)	1	
12	9007467	Hose Marker-Wing Fold In (Gray)	1	
13	9007468	Hose Marker-Wing Fold Out (Gray)	1	
14	91383	Male Tip Coupling 3/4-16 JIC	6	
15	410914	Hydraulic Block Valve Assembly	1	

Hydraulic Hoses to Main Wing Fold & Toolbar Latch Cylinders
For 60'/66'/80'/88'/90' Toolbars

Please visit www.unverferth.com/parts/ for the most current parts listing.

Right-Hand

Left-Hand



1800 & 2600 NutriMax Liquid Applicator — Parts

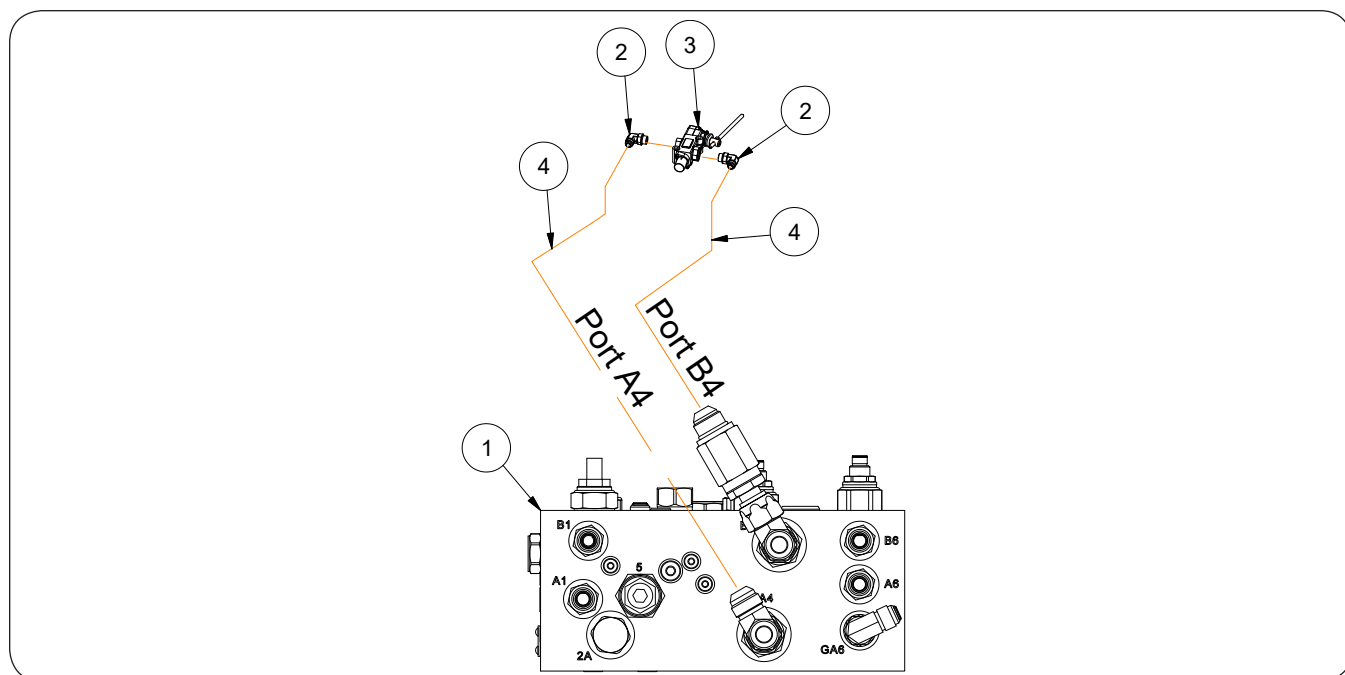
Hydraulic Hoses to Main Wing Fold & Toolbar Latch Cylinders For 60'/66'/80'/88'/90' Toolbars

Please visit www.unverferth.com/parts/ for the most current parts listing.

ITEM	PART NUMBER	DESCRIPTION	QTY
1	410914	Hydraulic Block Valve Assembly	1
2	9006164	Tee 9/16-18 JIC Male x 9/16-18 JIC Male x 9/16-18 JIC Male	1
3	9005298	Hydraulic Hose 1/4 x 53 9/16-18 JIC Female x 9/16-18 JIC Female	4
4	9001350	Hydraulic Hose 1/4 x 102 9/16-18 JIC 90° x 9/16-18 JIC Female	2
5	9001424	Hydraulic Hose 1/4 x 210 9/16-18 JIC Female x 9/16-18 JIC Female	2
6	96958	Hydraulic Cylinder 4" x 16"	2
7	9006935	Hydraulic Cylinder 1 1/2" x 2 1/2"	1
8	9006171	90° Elbow 9/16-18 JIC Male x 9/16-18 Male O-Ring	4
9	9006173	90° Elbow 9/16 Male Flare x 3/4 O-Ring Male	4
10	9006404	Cartridge Manifold	1
11	9006150	Adapter 9/16-18 JIC Male x 9/16-18 Male O-Ring	1

Hydraulic Hoses to Diverter Valve

For 60'/66'/80'/88'/90' Toolbars



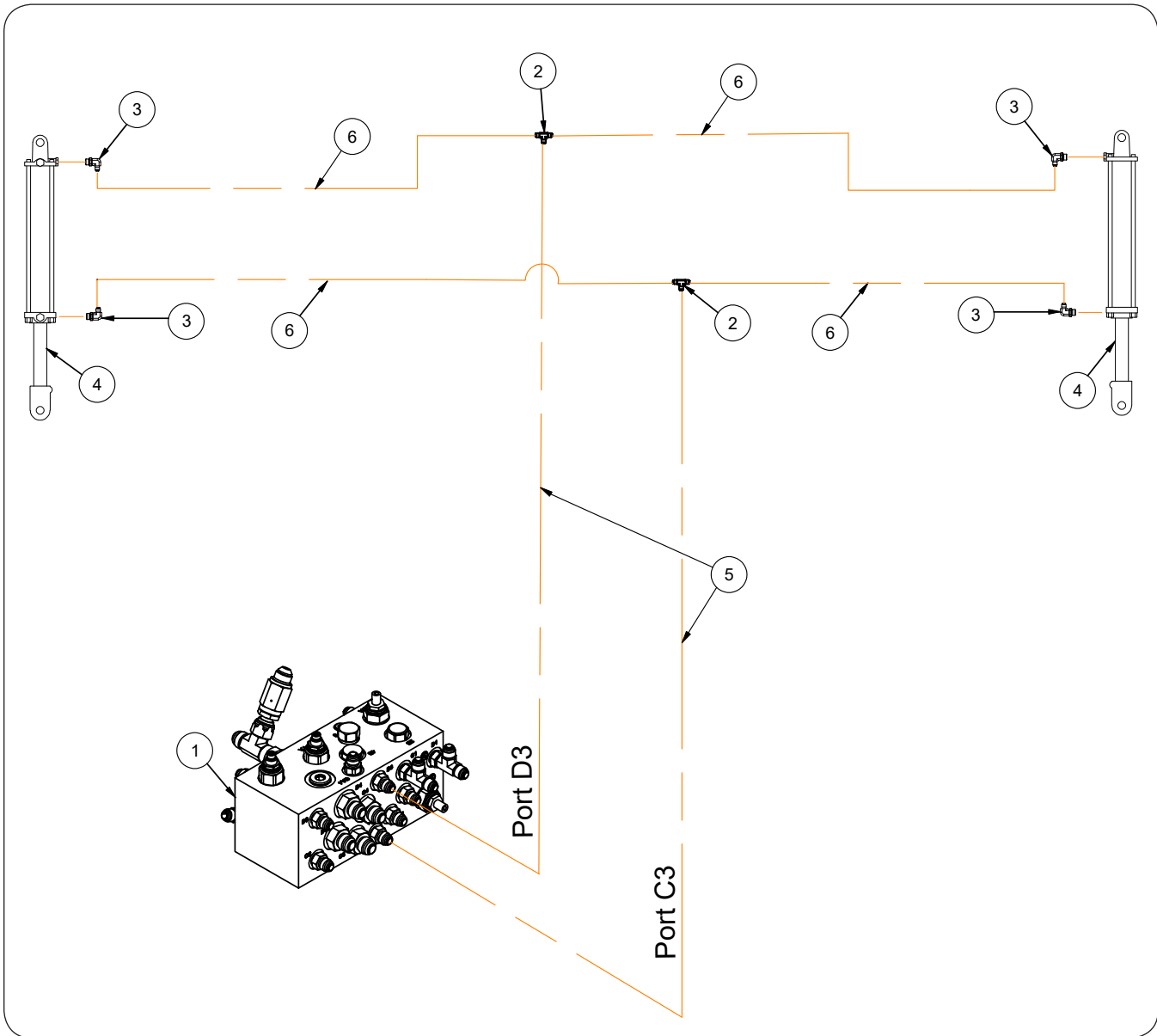
ITEM	PART NUMBER	DESCRIPTION	QTY
1	410914	Hydraulic Block Valve Applicator Assembly	1
2	9006167	90° Elbow 3/4-16 JIC Male x 3/4-16 Male O-Ring	2
3	9007267	Hydraulic Valve - 2-Way Diverter Valve w/ Lever Box	1
4	9007325	Hydraulic Hose 1/2 x 83 3/4-16 JIC Female x 3/4-16 90° Female Short Drop	2

1800 & 2600 NutriMax Liquid Applicator — Parts

Hydraulic Hoses to Wing Mast Cylinders

For 60'/66'/80'/88'/90' Toolbars

Please visit www.unverferth.com/parts/ for the most current parts listing.

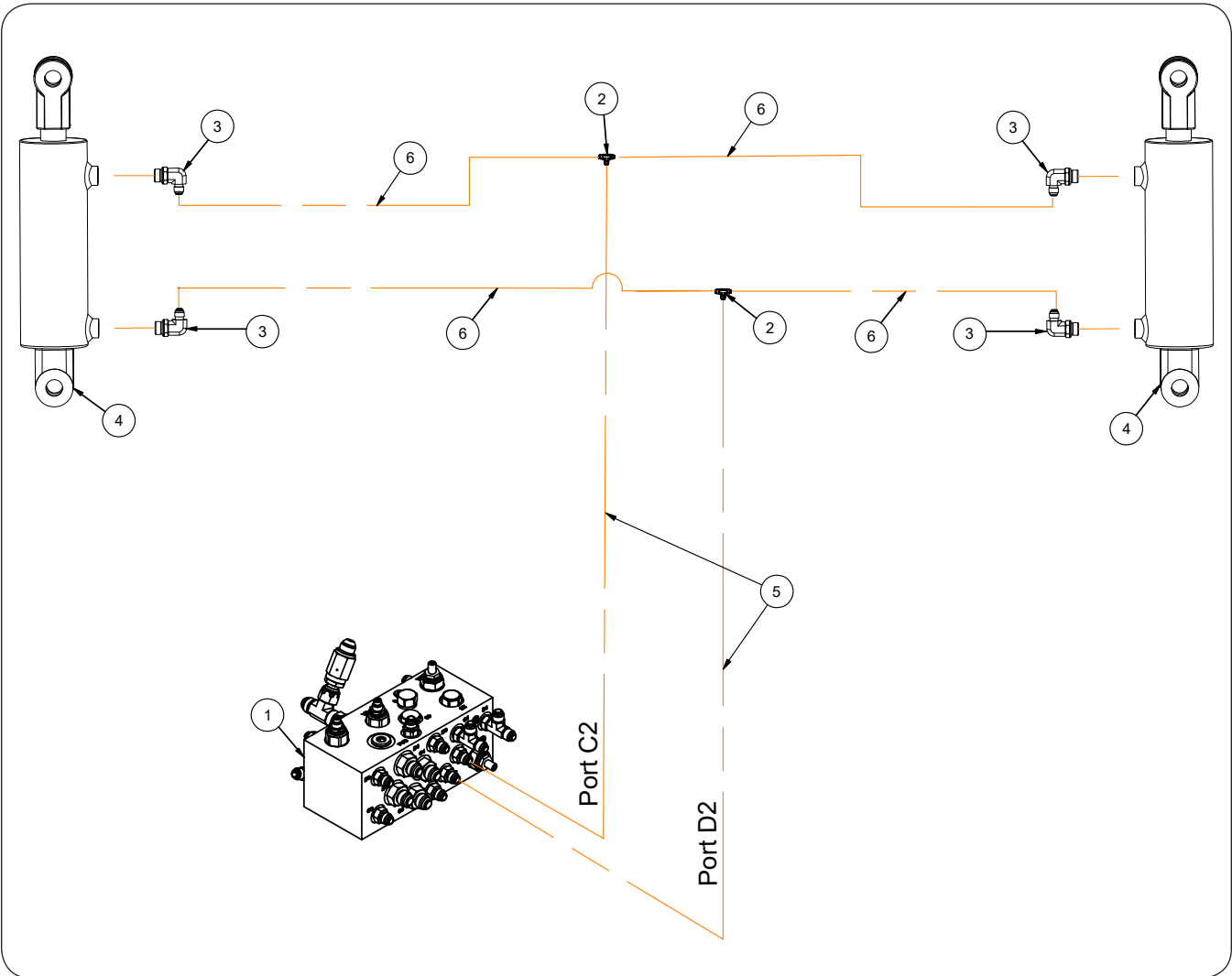


ITEM	PART NUMBER	DESCRIPTION	QTY
1	410914	Hydraulic Block Valve Appilicator Assembly	1
2	9006164	Tee 9/16-18 JIC Male x 9/16-18 JIC Male x 9/16-18 JIC Male	2
3	9006173	90° Elbow 9/16-18 JIC Male x 3/4-16 Male O-Ring	4
4	9004660	Hydraulic Cylinder 3 x 16	2
5	9001350	Hydraulic Hose 1/4 x 102 9/16-18 JIC 90° x 9/16-18 JIC Female	2
6	9003218	Hydraulic Hose 1/4 x 141 9/16-18 JIC Female x 9/16-18 JIC Female	4

1800 & 2600 NutriMax Liquid Applicator — Parts

Hydraulic Hoses to Main Wing Coulter Flip Cylinders For 60'/66'/80'/88'/90' Toolbars

Please visit www.unverferth.com/parts/ for the most current parts listing.



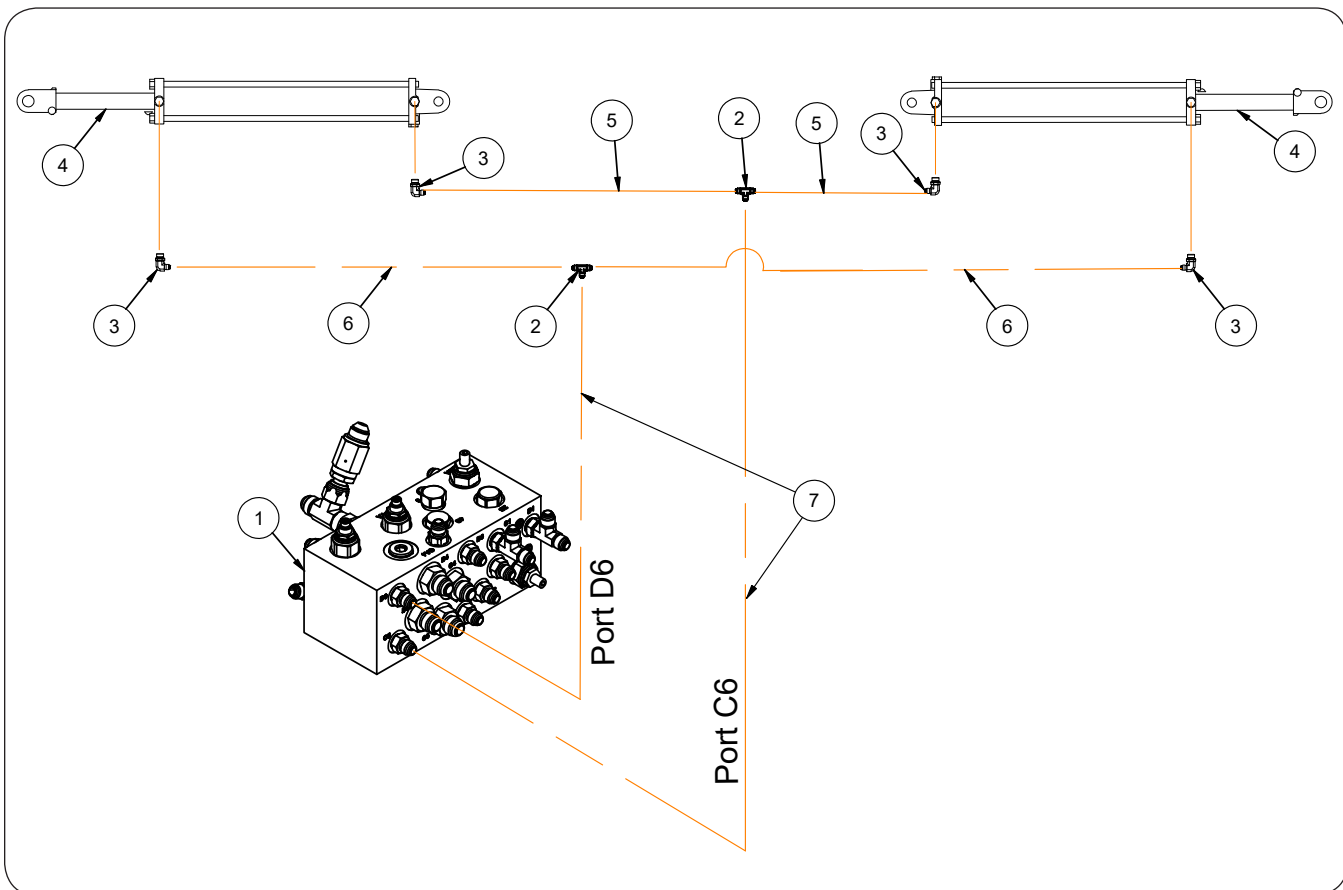
ITEM	PART NUMBER	DESCRIPTION	QTY	NOTES
1	410914	Hydraulic Block Valve Applicator Assembly	1	
2	9006164	Tee 9/16-18 JIC Male x 9/16-18 JIC Male x 9/16-18 JIC Male	2	
3	9006173	90° Elbow 9/16-18 JIC Male x 3/4-16 Male O-Ring	4	
4	9007264	Hydraulic Cylinder 3 1/2 x 8	2	
5	9001350	Hydraulic Hose 1/4 x 102 9/16-18 JIC 90° x 9/16-18 JIC Female	2	
6	9003221	Hydraulic Hose 1/4 x 217 9/16-18 JIC Female x 9/16-18 JIC Female	4	80', 88', 90' Toolbars
	9001854	Hydraulic Hose 1/4 x 200 9/16-18 JIC Female x 9/16-18 JIC Female		60' & 66' Toolbars

1800 & 2600 NutriMax Liquid Applicator — Parts

Hydraulic Hoses to Outer Wing Fold Cylinders

For 60'/66'/80'/88'/90' Toolbars

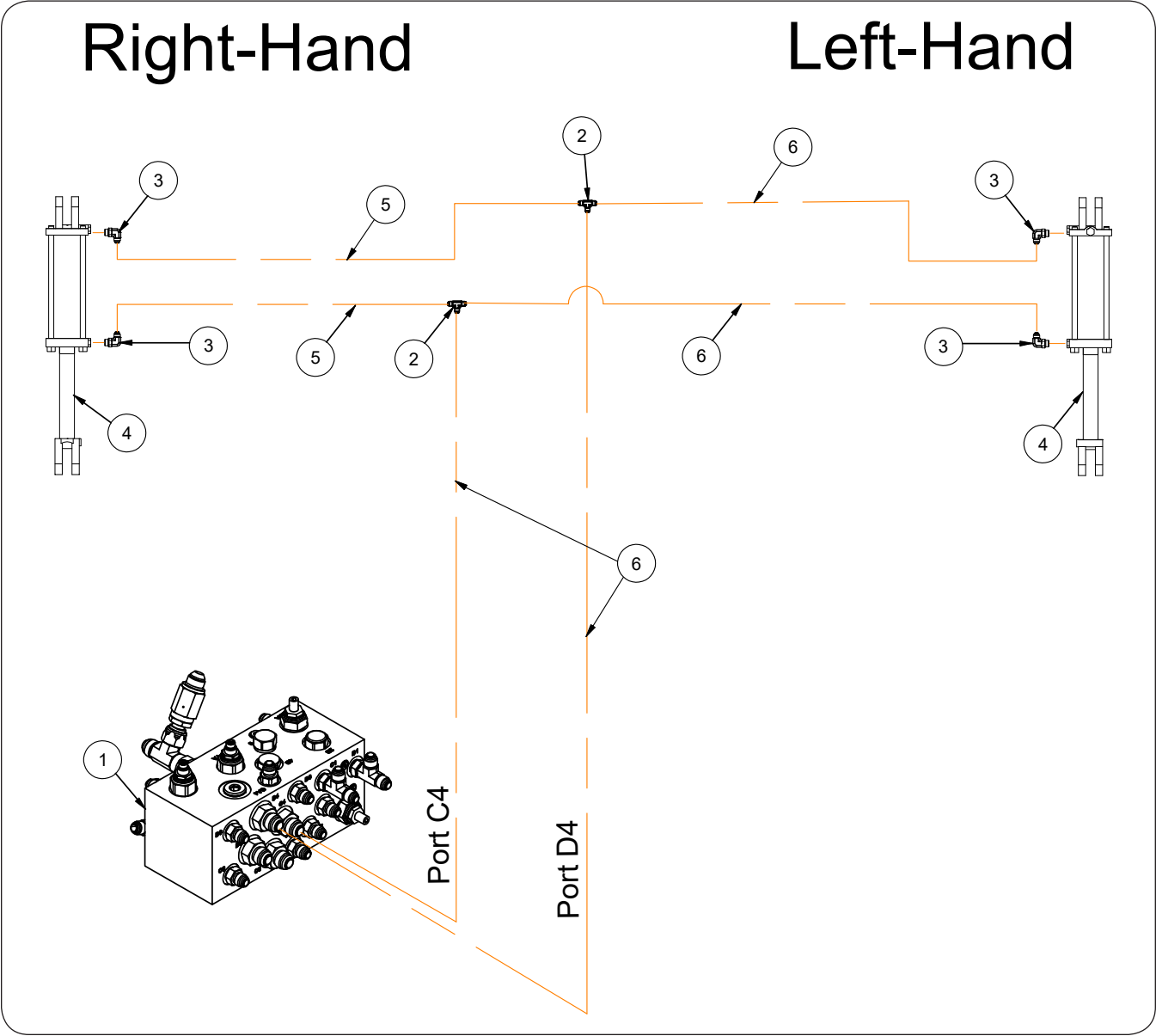
Please visit www.unverferth.com/parts/ for the most current parts listing.



ITEM	PART NUMBER	DESCRIPTION	QTY	NOTES
1	410914	Hydraulic Block Valve Applicator Assembly	1	
2	9006164	Tee 9/16-18 JIC Male x 9/16-18 JIC Male x 9/16-18 JIC Male	2	
3	9006175	90° Elbow 3/4-16 Female x 7/8-14 Male	4	
4	9007618	Hydraulic Cylinder 5 x 30	2	
5	9007624	Hydraulic Hose 3/8 x 296 9/16-18 JIC Female x 9/16-18 JIC Female	2	80', 88', 90' Toolbars
	9007197	Hydraulic Hose 3/8 x 262 9/16-18 JIC Female x 9/16-18 JIC Female		60' & 66' Toolbars
6	9007625	Hydraulic Hose 3/8 x 332 9/16-18 JIC Female x 9/16-18 JIC Female	2	80', 88', 90' Toolbars
	9007198	Hydraulic Hose 3/8 x 292 9/16-18 JIC Female x 9/16-18 JIC Female		60' & 66' Toolbars
7	9007330	Hydraulic Hose 3/8 x 100 9/16-18 JIC Female x 9/16-18 90° Female Short Drop	2	

Hydraulic Hoses to Toolbar Lift Cylinders
For 60'/66'/80'/88'/90' Toolbars

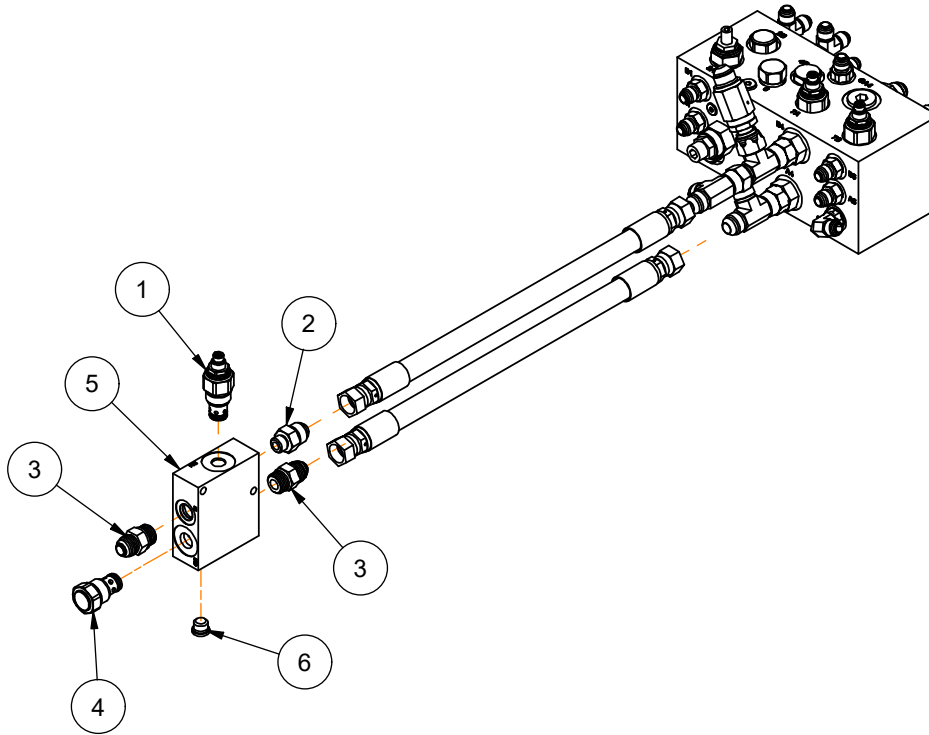
Please visit www.unverferth.com/parts/ for the most current parts listing.



ITEM	PART NUMBER	DESCRIPTION	QTY
1	410914	Hydraulic Block Valve Applicator Assembly	1
2	9007577	Tee 3/4-16 JIC Male x 3/4-16 JIC Male x 3/4-16 JIC Male	2
3	9006167	90° Elbow 3/4-16 JIC Male x 3/4-16 Male O-Ring	4
4	97310	Hydraulic Cylinder 2 1/2" x 16"	2
5	96758	Hydraulic Hose 1/2 x 96 3/4-16 JIC Female x 3/4-16 JIC Female	2
6	9007304	Hydraulic Hose 1/2 x 45 3/4-16 JIC Female x 3/4-16 90° Female Short Drop	4

Hydraulic Pressure Reducing Valve Components

Please visit www.unverferth.com/parts/ for the most current parts listing.



ITEM	PART NUMBER	DESCRIPTION	QTY	NOTES
1	9008370	P.O. Pressure Reducing/Relief Valve	1	
2	95475	Adapter, 3/4"-16 JICM x 9/16"-18 Male ORB	1	
3	9006151	Adapter, 3/4"-16 FO Male To 3/4"-16 Male ORB	2	
4	9007812	Check Valve	1	
5	9008981	Valve Body Manifold	1	
6	99692	O-Ring Plug 1/2"-20 ORB	1	

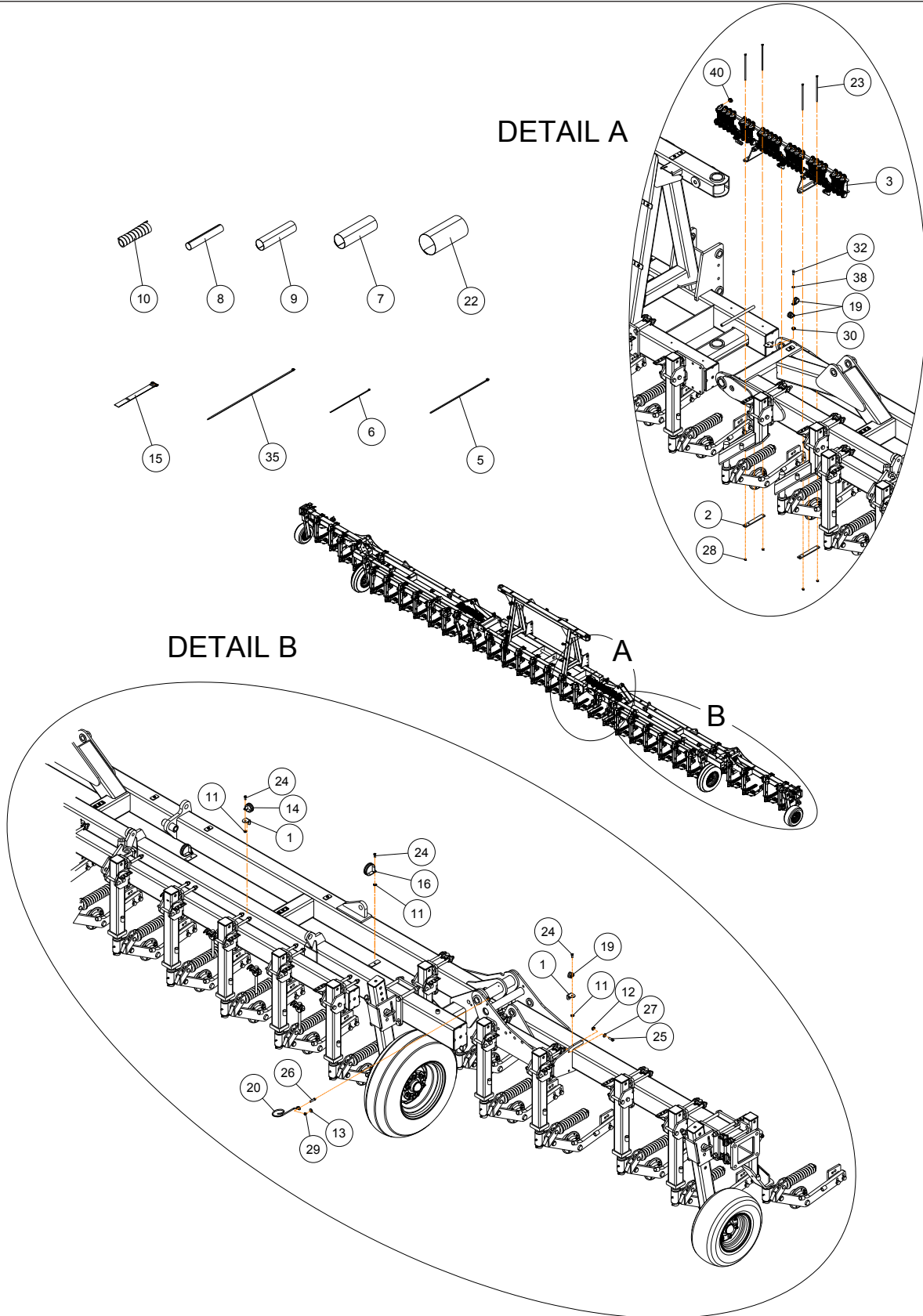
Notes

Please visit www.unverferth.com/parts/ for the most current parts listing.

1800 & 2600 NutriMax Liquid Applicator — Parts

Flow Ball Components — For 60', 66', 80', 88' & 90' Toolbars

Please visit www.unverferth.com/parts/ for the most current parts listing.

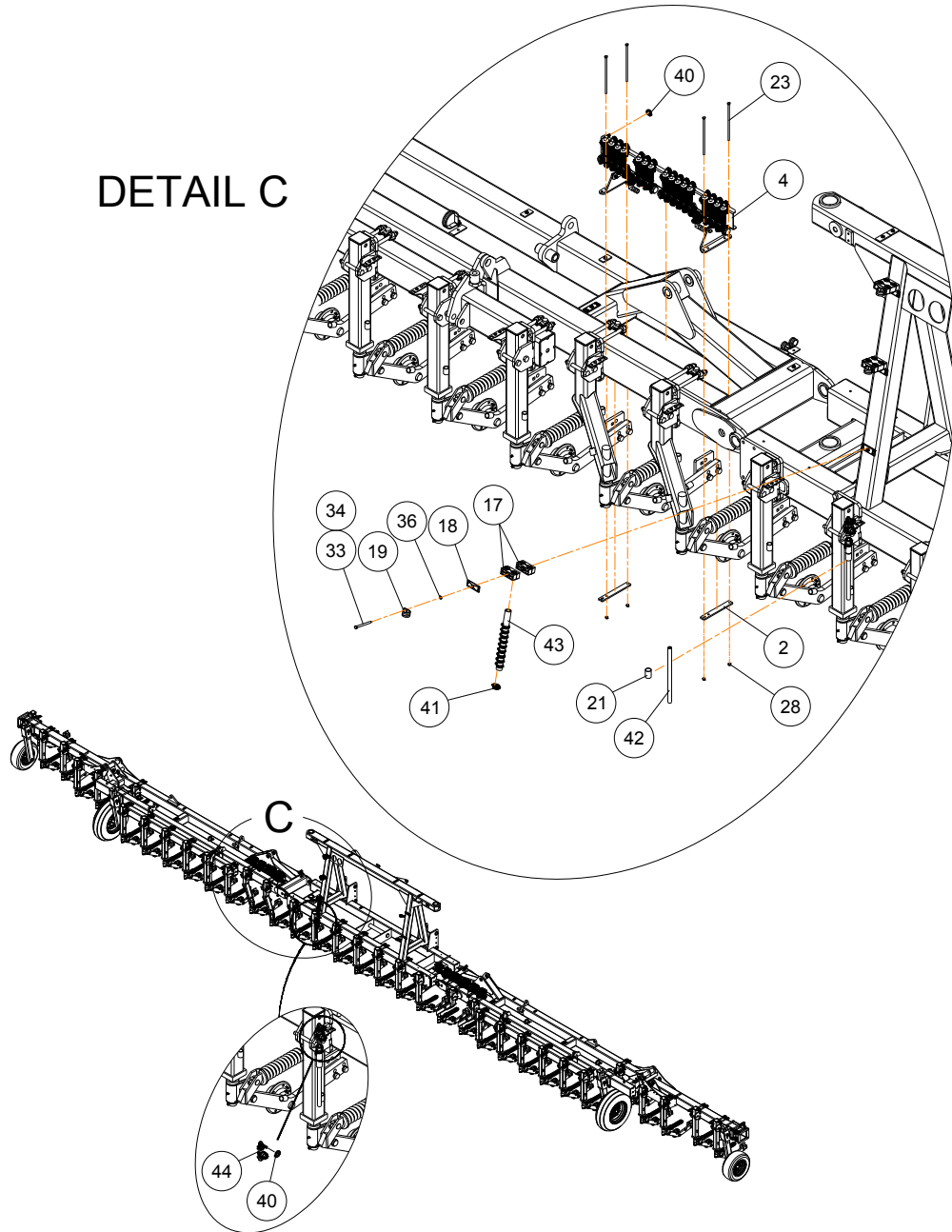


1800 & 2600 NutriMax Liquid Applicator — Parts

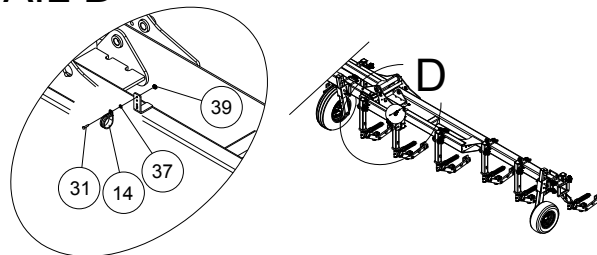
Flow Ball Components — For 60', 66', 80', 88' & 90' Toolbars

Please visit www.unverferth.com/parts/ for the most current parts listing.

DETAIL C



DETAIL D



1800 & 2600 NutriMax Liquid Applicator — Parts

Flow Ball Components — For 60', 66', 80', 88' & 90' Toolbars

Please visit www.unverferth.com/parts/ for the most current parts listing.

ITEM	PART NUMBER	DESCRIPTION	QTY.	NOTES
	412316SM	Flow Ball Monitor, 60'-20" (Silver Mist)	1	
	412317SM	Flow Ball Monitor, 66'-22" (Silver Mist)		
	412318SM	Flow Ball Monitor, 60'-30" (Silver Mist)		
	412319SM	Flow Ball Monitor, 80'-30" (Silver Mist)		
	412487SM	Flow Ball Monitor, 80'-20" (Silver Mist)		
	412320SM	Flow Ball Monitor, 88'-22" (Silver Mist)		
	412321SM	Flow Ball Monitor, 90'-30" (Silver Mist)		
1	411267B	Clamp Plate Mount (Black)	4	60'-20", 60'-30"
			6	60'-22", 88'-22", 80'-20"
			8	80'-30", 90'-30"
2	412351SM	Strap Plate, 1/4" x 1" x 7 5/16" (Silver Mist)	4	
3	412366SM	Ball Indicators Assembly, Left-Hand (Silver Mist) *Refer to Flow Ball Indicators Components Part Pages for Breakdown Information*	1	60'-20", 60'-22"
	412352SM			60'-30"
	412392SM			80'-30"
	414113SM			80'-20"
	412394SM			88'-22"
	412386SM			90'-30"
4	412367SM	Ball Indicators Assembly, Right-Hand (Silver Mist) *Refer to Flow Ball Indicators Components Part Pages for Breakdown Information*	1	60'-20", 60'-22"
	412353SM			60'-30"
	412393SM			80'-30"
	414114SM			80'-20"
	412395SM			88'-22"
	412387SM			90'-30"
5	9000104	Cable Tie, 21 1/2"	8	
6	9000107	Cable Tie, 14 1/2"	16	
7	9003805	Velcro Hose Wrap, 4"	24	60'-20", 60'-22", 60'-30"
			40	80'-30", 80'-20", 88'-22", 90'-30"
8	9003848	Velcro Hose Wrap, 2"	12	60'-20", 60'-22", 60'-30"
9	9003849	Velcro Hose Wrap, 3"	30	80'-30", 80'-20", 88'-22", 90'-30"
10	9004075	Spiral Hose Wrap, 11 1/8"	45	60'-20", 60'-22", 60'-30"
			40	80'-30", 80'-20", 88'-22", 90'-30"
11	9005639	Flange Nut, 5/16-18 THD	6	88'-22", 80'-20"
			8	60'-20", 60'-30", 80'-30", 90'-30"
			10	60'-22"
12	9005640	Flange Nut, 3/8-16 THD	2	
13	9006212	Flat Washer, 3/8"	4	60'-20", 60'-22", 60'-30"
			16	88'-22", 80'-20"
			20	80'-30", 90'-30"
14	9006213	Metal Cable Clamp, 2 x 3/4" Wide	4	60'-20", 60'-30"
			6	60'-22"
			12	80'-30", 80'-20", 88'-22", 90'-30"

(Continued on next page)

1800 & 2600 NutriMax Liquid Applicator — Parts

Flow Ball Components — For 60', 66', 80', 88' & 90' Toolbars

Please visit www.unverferth.com/parts/ for the most current parts listing.

ITEM	PART NUMBER	DESCRIPTION	QTY.	NOTES
15	9006489	Cinch Strap, 1 1/2" x 14 3/8"	28	60'-20", 60'-22", 60'-30"
			14	80'-30", 80'-20", 88'-22", 90'-30"
16	9007320	Metal Cable Clamp, 3 x 3/4" Wide	4	60'-20", 60'-22", 60'-30"
			10	80'-30", 80'-20", 88'-22", 90'-30"
17	9007372	Hose Clamp, 1 3/16" x 3 7/32"	6	60'-20", 60'-22", 60'-30"
			9	80'-30", 80'-20", 88'-22", 90'-30"
18	9007373	Hose Clamp, 1 1/8" x 3 1/16"	3	
19	9007556	Metal Cable Clamp, 1 1/8 x 3/4" Wide	9	60'-20", 60'-22", 60'-30"
			14	88'-22", 80'-20"
			16	80'-30", 90'-30"
20	9007747	Hose Holder	2	
21	9007772	Hose Sleeve Marker for Half Rate Nozzle	6	60'-20", 60'-22", 60'-30"
			2	80'-30", 80'-20", 90'-30"
22	9007789	Hose Wrap, 6"	10	
23	900900-025	Capscrew, 1/4-20UNC x 8 (SS)	8	
24	900900-028	Capscrew, 5/16-18UNC x 3/4 (SS)	6	88'-22", 80'-20"
			8	60'-20", 60'-30", 80'-30", 90'-30"
			10	60'-22"
25	900900-056	Capscrew, 3/8-16UNC x 1 1/4 (SS)	2	60'-20", 60'-22", 60'-30", 80'-30", 88'-22"
26	900900-057	Capscrew, 3/8-16UNC x 1 1/2 (SS)	2	60'-20", 60'-22", 60'-30"
			8	88'-22", 80'-20"
			10	80'-30"
27	900902-038	Flat Washer, 3/8 (SS)	2	60'-20", 60'-22", 60'-30"
28	900906-002	Center Lock Hex Nut, 1/4-20UNC (SS)	8	
29	900906-006	Center Lock Hex Nut, 3/8-16UNC (SS)	2	60'-20", 60'-22", 60'-30"
			8	88'-22", 80'-20"
			10	80'-30", 90'-30"
30	91257	Large Flange Hex Nut, 5/16-18 (Gr.5)	2	60'-20", 60'-22", 60'-30"
			12	80'-30", 80'-20", 88'-22", 90'-30"
31	9390-005	Capscrew, 1/4-20UNC x 1 (Gr.5)	2	80'-30", 80'-20", 88'-22", 90'-30"
32	9390-030	Capscrew, 5/16-18UNC x 1 (Gr.5)	2	60'-20", 60'-22", 60'-30"
			12	80'-30", 80'-20", 88'-22", 90'-30"
33	9390-041	Capscrew, 5/16-18UNC x 3 3/4 (Gr.5)	3	60'-20", 60'-22", 60'-30"
34	9390-045	Capscrew, 5/16-18UNC x 5 1/2 (Gr.5)	3	80'-30", 80'-20", 88'-22", 90'-30"
35	94038	Cable Tie, 32"	8	
36	9404-019	Lock Washer, 5/16"	3	
37	9405-062	Flat Washer, 1/4"	2	80'-30", 80'-20", 88'-22", 90'-30"
38	9405-068	Flat Washer, 5/16"	2	60'-20", 60'-22", 60'-30"
			5	80'-30", 80'-20", 88'-22", 90'-30"
39	97189	Large Flange Hex Nut, 1/4-20UNC	2	80'-30", 80'-20", 88'-22", 90'-30"

(Continued on next page)

1800 & 2600 NutriMax Liquid Applicator — Parts

Flow Ball Components — For 60', 66', 80', 88' & 90' Toolbars

Please visit www.unverferth.com/parts/ for the most current parts listing.

ITEM	PART NUMBER	DESCRIPTION	QTY.	NOTES
40	TA800902	Hose Clamp, M-6 (SS)	78	60'-20", 60'-22"
			54	60'-30"
			66	80'-30"
			74	90'-30"
			94	88'-22"
			98	80'-20"
41	TA800910	Hose Clamp, 1/2 SAE	10	60'-20", 60'-22", 60'-30"
			12	80'-30", 80'-20", 88'-22", 90'-30"
42	TA806200	Rubber Hose, EPDM 3/8"	24'	60'-20" (Specify in Feet per Nozzle)
			27'	60'-22" (Specify in Feet per Nozzle)
			24'	60'-30" (Specify in Feet per Nozzle)
			32'	80'-30" (Specify in Feet per Nozzle)
			32'	80'-20" (Specify in Feet per Nozzle)
			36'	88'-22" (Specify in Feet per Nozzle)
43	TA806250	Hose, 3/4 Dia. x 12 EPDM	100	60'-20", 60'-22", 60'-30"
			275	80'-30", 80'-20", 88'-22", 90'-30"
44	TA880149	Sprayer Boom Nozzle Body - Single	27	60'-30"
			33	80'-30"
			49	80'-20"
			37	90'-30"
			39	60'-20", 60'-22"
			47	88'-22"

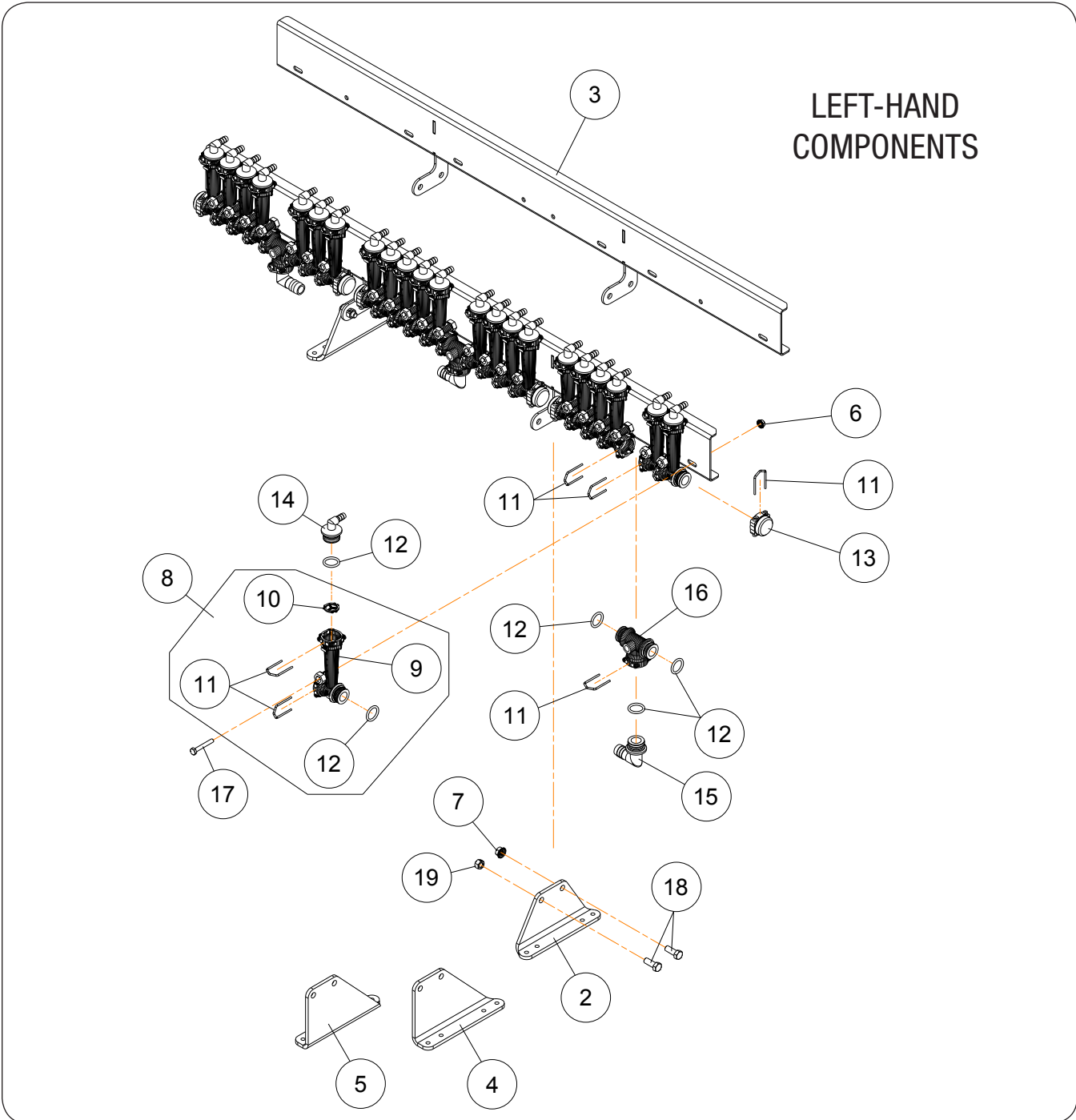
Notes

Please visit www.unverferth.com/parts/ for the most current parts listing.

Flow Ball Indicator Components

— For 60', 66', 80', 88' & 90' Toolbars

Please visit www.unverferth.com/parts/ for the most current parts listing.



1800 & 2600 NutriMax Liquid Applicator — Parts

Flow Ball Indicator Components

— For 60', 66', 80', 88' & 90' Toolbars

Please visit www.unverferth.com/parts/ for the most current parts listing.

ITEM	PART NUMBER	DESCRIPTION	QTY.	NOTES
1	412366SM	Flow Ball Indicators Assembly, Left-Hand (Silver Mist)	1	60'-20", 60'-22"
	412352SM			60'-30"
	412392SM			80'-30"
	412394SM			88'-22"
	412386SM			90'-30"
2	412348SM	Bolt Plate, 1/4 x 3 5/8 x 7 5/16 (Silver Mist)	2	60'-20", 60'-22", 60'-30"
3	412368SM	Flow Ball Indicators Mount Weldment, Left-Hand (Silver Mist)	1	60'-20", 60'-22"
	412346SM		1	60'-30"
	412388SM		1	80'-30", 90'-30"
	412396SM		1	88'-22"
4	412390SM	Bolt Plate, 1/4 x 4 7/8 x 7 9/16 (Silver Mist)	1	80'-30", 88'-22", 90'-30"
5	412391SM	Bolt Plate, 1/4 x 4 7/8 x 7 9/16 (Silver Mist)	1	80'-30", 88'-22", 90'-30"
6	9004720	Flange Nut, 1/4-20UNC (SS)	7	60'-30"
			8	80'-30"
			9	60'-20", 60'-22"
			10	90'-30"
			12	88'-22"
7	9005640	Flange Nut, 3/8-16 THD	2	
8	9007702	Flow Body Indicator Assembly	16	60'-30"
			17	80'-30"
			19	90'-30"
			23	60'-20", 60'-22"
			24	88'-22"
9	9007703	Flow Indicator Body	1	
10	9007704	Ball Retainer Indicator	1	
11	9007705	Locking Clip	2	
12	9007706	O-Ring	1	
13	9007707	Flow Cap Indicator	4	60'-30"
			5	80'-30"
			6	60'-20", 60'-22", 88'-22", 90'-30"
14	9007710	Elbow Fitting Indicator, 3/8"	16	60'-30"
			17	80'-30"
			19	90'-30"
			23	60'-20", 60'-22"
			24	88'-22"
15	9007713	Elbow Fitting Indicator, 3/4"	3	
16	9007778	Indicator Fitting, Tee	1	60'-30"
			2	80'-30"
			3	60'-20", 60'-22", 88'-22", 90'-30"
17	900900-008	Capscrew, 1/4-20UNC x 1 3/4 (SS)	7	60'-30"
			9	60'-20", 60'-22", 80'-30"
			10	90'-30"
			12	88'-22"
18	900900-055	Capscrew, 3/8-16UNC x 1 (SS)	4	
19	900906-006	Center Lock Hex Nut, 3/8-16UNC (SS)	2	

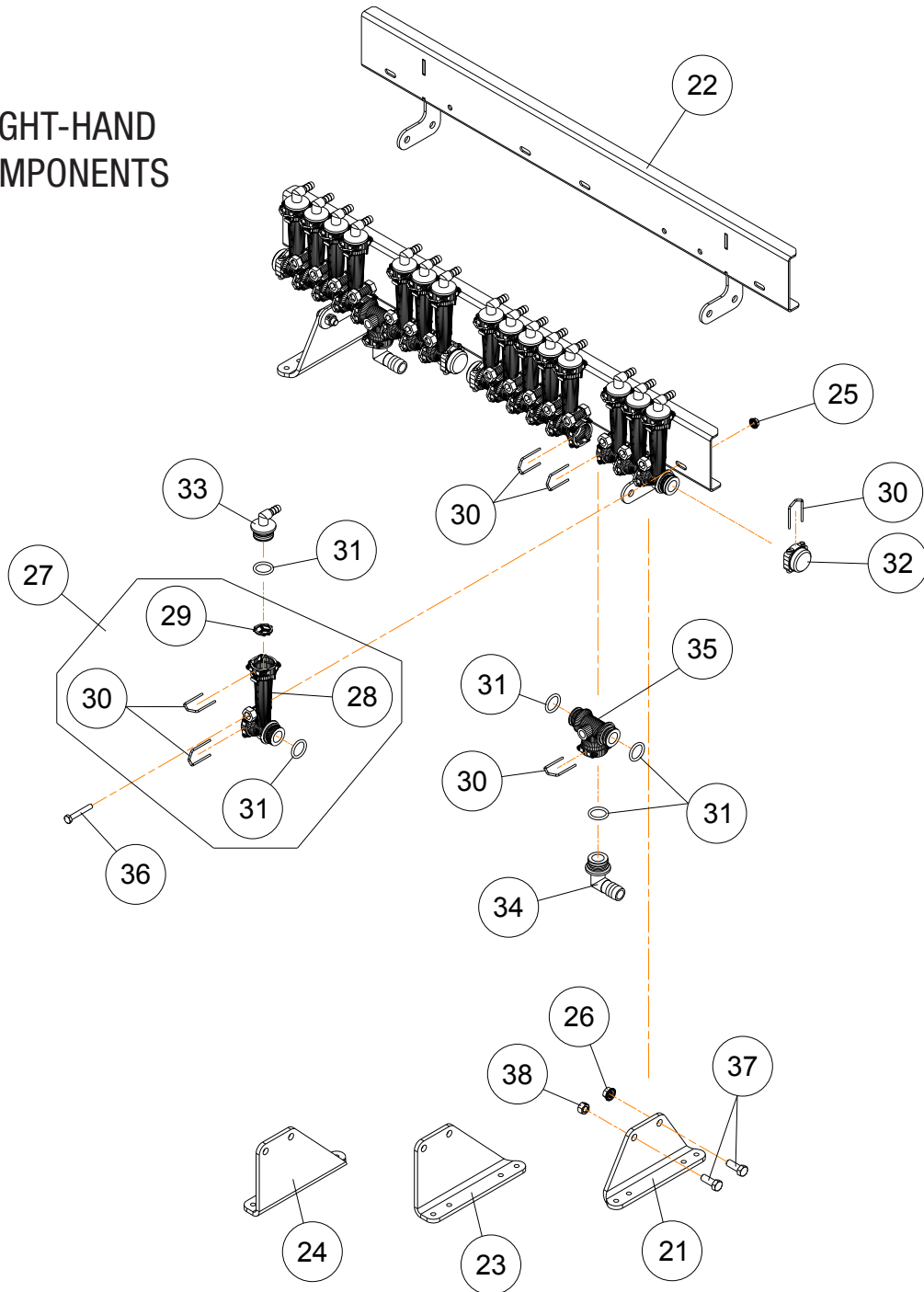
1800 & 2600 NutriMax Liquid Applicator — Parts

Flow Ball Indicator Components

— For 60', 66', 80', 88' & 90' Toolbars

Please visit www.unverferth.com/parts/ for the most current parts listing.

RIGHT-HAND COMPONENTS



1800 & 2600 NutriMax Liquid Applicator — Parts

Flow Ball Indicator Components

— For 60', 66', 80', 88' & 90' Toolbars

Please visit www.unverferth.com/parts/ for the most current parts listing.

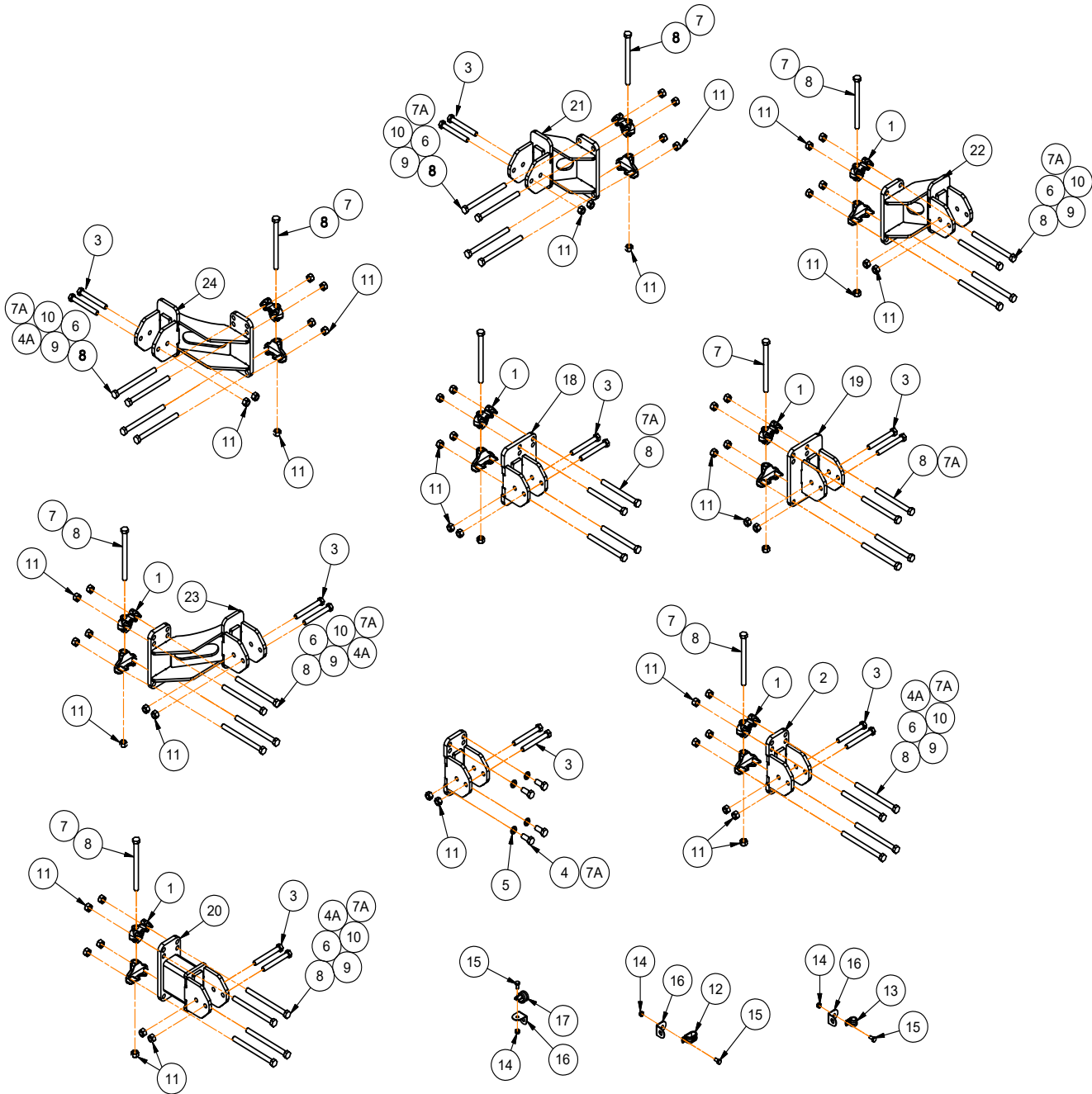
ITEM	PART NUMBER	DESCRIPTION	QTY.	NOTES
20	412367SM	Flow Ball Indicators Assembly, Right-Hand (Silver Mist)	1	60'-20", 60'-22"
	412353SM		1	60'-30"
	412393SM		1	80'-30"
	412395SM		1	88'-22"
	412387SM		1	90'-30"
21	412348SM	Bolt Plate, 1/4 x 3 5/8 x 7 5/16 (Silver Mist)	2	60'-20", 60'-22", 60'-30"
22	412370SM	Flow Ball Indicators Mount Weldment, Right-Hand (Silver Mist)	1	60'-20", 60'-22"
	412354SM		1	60'-30"
	412388SM		1	80'-30", 90'-30"
	412398SM		1	88'-22"
23	412390SM	Bolt Plate, 1/4 x 4 7/8 x 7 9/16 (Silver Mist)	1	80'-30", 88'-22", 90'-30"
24	412391SM	Bolt Plate, 1/4 x 4 7/8 x 7 9/16 (Silver Mist)	1	80'-30", 88'-22", 90'-30"
25	9004720	Flange Nut, 1/4-20UNC (SS)	5	60'-30"
			6	60'-20", 60'-22"
			9	80'-30"
			10	90'-30"
			12	88'-22"
26	9005640	Flange Nut, 3/8-16 THD	2	
27	9007702	Flow Body Indicator Assembly	11	60'-30"
			16	60'-20", 60'-22", 80'-30"
			18	90'-30"
			23	88'-22"
28	9007703	Flow Indicator Body	1	
29	9007704	Ball Retainer Indicator	1	
30	9007705	Locking Clip	2	
31	9007706	O-Ring	1	
32	9007707	Flow Cap Indicator	3	60'-30"
			4	60'-20", 60'-22"
			5	80'-30"
			6	88'-22", 90'-30"
33	9007710	Elbow Fitting Indicator, 3/8"	11	60'-30"
			16	60'-20", 60'-22", 80'-30"
			18	90'-30"
			23	88'-22"
34	9007713	Elbow Fitting Indicator, 3/4"	2	
			3	80'-30", 88'-22", 90'-30"
35	9007778	Indicator Fitting, Tee	1	60'-30"
			2	60'-20", 60'-22", 80'-30"
			3	88'-22", 90'-30"
36	900900-008	Capscrew, 1/4-20UNC x 1 3/4 (SS)	5	60'-30"
			6	60'-20", 60'-22"
			9	80'-30"
			10	90'-30"
			12	88'-22"
37	900900-055	Capscrew, 3/8-16UNC x 1 (SS)	4	
38	900906-006	Center Lock Hex Nut, 3/8-16UNC (SS)	2	

1800 & 2600 NutriMax Liquid Applicator — Parts

Coulter Mounting Components

— For 60', 66', 80', 88', 90' Toolbars

Please visit www.unverferth.com/parts/ for the most current parts listing.



1800 & 2600 NutriMax Liquid Applicator — Parts

Coulter Mounting Components

— For 60', 66', 80', 88', 90' Toolbars

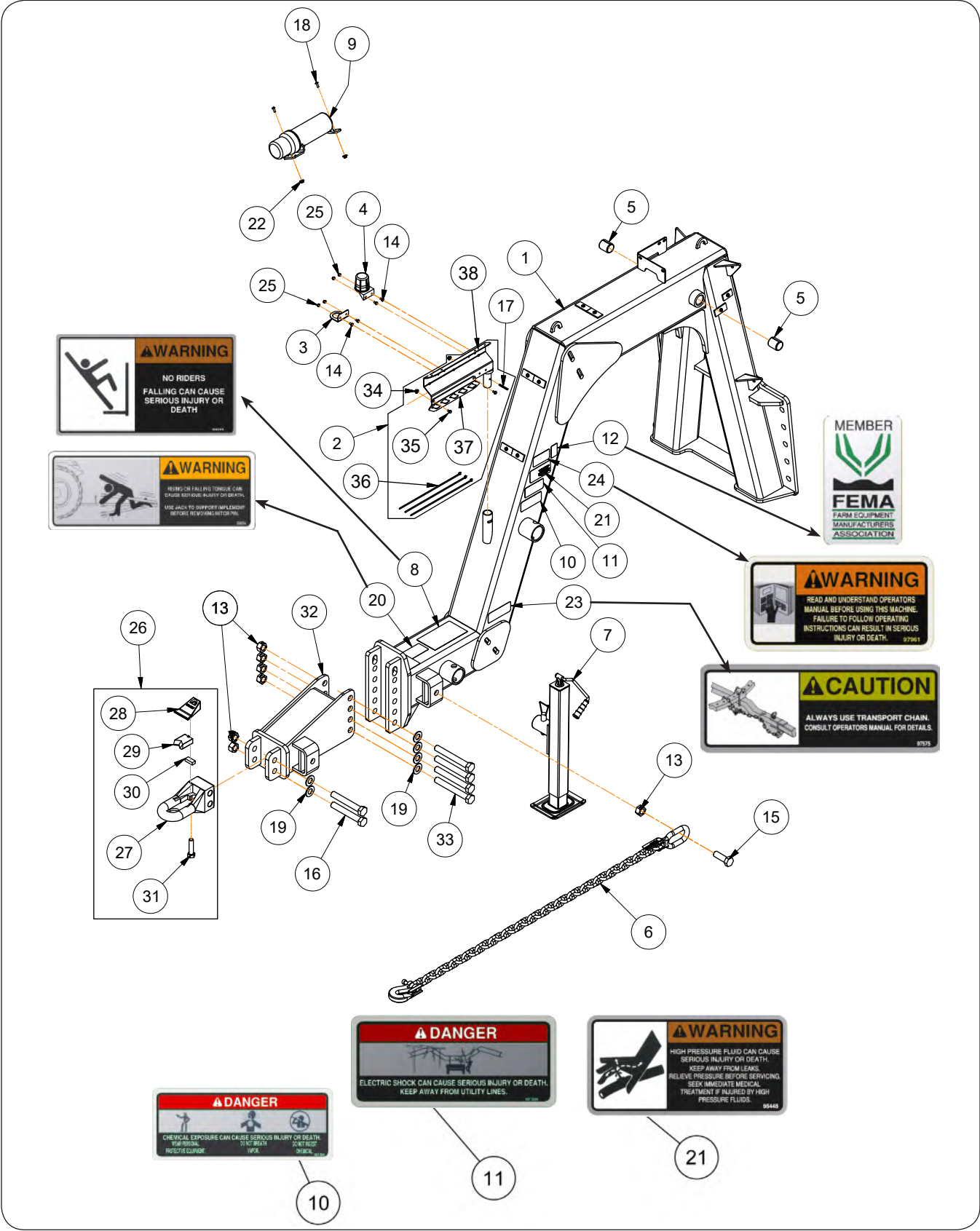
Please visit www.unverferth.com/parts/ for the most current parts listing.

ITEM	PART NUMBER	DESCRIPTION	60' TOOLBAR			66' TOOLBAR	80' TOOLBAR			88' TOOLBAR	90' TOOLBAR	
			20"	30"	30" DBL Coulter	22"	30"	20"	22"	20"	30"	
			1	67922B	Extension Clamp =Black=	66	42	46	66	54	86	90
2	414887B	Coulter Mount Weldment =Black=	29	21	21	29	29	37	43	51	33	
3	9501438-134	Capscrew 5/8-11UNC x 5 (Black)	70	46	50	70	76	118	94	120	84	
4	9501438-122	Capscrew 5/8-11UNC x 1 1/2 (Black)	8	8	8	8	4	4	-	12	4	
4A	9501438-127	Capscrew 5/8-11UNC x 2 3/4" (Black)	-	-	-	-	-	-	8	-	8	
5	9501440-029	Lock Washer 5/8" (Black)	-	-	8	-	-	-	-	20	-	
6	9501438-138	Capscrew 5/8-11UNC x 7 (Black)	36	20	20	36	28	52	44	52	28	
7	9501438-442	Capscrew 5/8-11UNC x 9 (Black)	11	7	7	11	11	19	13	17	11	
7A	9501438-139	Capscrew 5/8-11UNC x 7 1/2 (Black)	8	8	8	8	8	8	8	-	8	
8	9501438-140	Capscrew 5/8-11UNC x 8 (Black)	46	30	32	54	40	64	88	112	60	
9	9501438-136	Capscrew 5/8-11UNC x 6 (Black)	56	32	40	56	40	56	72	56	40	
10	9501438-137	Capscrew 5/8-11UNC x 6 1/2 (Black)	8	8	8	-	-	-	8	-	-	
11	9501439-036	Locknut 5/8-11UNC (Black)	235	151	165	235	195	309	319	349	223	
12	9007554	Cable Clamp 3/4 x 3/4 (Two Tube)	4	2	2	2	-	-	-	-	-	
13	9007555	Cable Clamp 3/4 x 3/4	31	21	21	33	-	-	-	-	-	
14	9928	Locknut 3/8-16UNC	39	27	27	39	-	-	-	-	-	
15	9390-053	Capscrew 3/8-16UNC x 3/4	39	27	27	39	-	-	-	-	-	
16	411267B	Clamp Mount =Black=	39	27	27	39	-	-	-	-	-	
17	9007556	Cable Clamp 1 1/8 x 3/4	6	6	6	6	22	22	22	22	22	
18	414898B	Coulter Mount Weldment Offset Right-Hand =Black=	1	-	-	-	-	1	-	1	-	
19	414899B	Coulter Mount Weldment Offset Left-Hand =Black=	1	-	-	-	-	1	-	1	-	
20	414902B	Coulter Mount Weldment =Black=	2	2	4	2	2	2	2	-	2	
21	414895B	Coulter Mount Weldment Offset Right-Hand =Black=	1	-	-	-	-	-	-	-	-	
22	414894B	Coulter Mount Weldment Offset Left-Hand =Black=	1	-	-	-	-	-	-	-	-	
23	414896B	Coulter Mount Offset Weldment Left-Hand =Black=	-	-	-	2	-	3	1	-	-	
24	414897B	Coulter Mount Offset Weldment Right-Hand =Black=	-	-	-	2	-	3	1	-	-	

1800 & 2600 NutriMax Liquid Applicator — Parts

Tongue Components — For 40' Toolbars

Please visit www.unverferth.com/parts/ for the most current parts listing.



1800 & 2600 NutriMax Liquid Applicator — Parts

Tongue Components — For 40' Toolbars

Please visit www.unverferth.com/parts/ for the most current parts listing.

ITEM	PART NUMBER	DESCRIPTION	QTY	NOTES	
1	412932G	Tongue Weldment =Green=	1		
	412932R	Tongue Weldment =Red=			
2	415534B	Hose Caddy Replacement Kit (Black)	1	Includes Items 17 & 34 - 38 For SN B41810099 & Lower	
3	281837B	Plate Holder =Black=	1		
4	9001968	Connector Holder	1		
5	9002806	Split Tension Bushing	2		
6	95055	Transport Chain 40,500#	1		
7	9003295	Jack 5,000# Lift, Top Wind	1		
8	9003476	Decal, WARNING "No-Riders"	1		
9	900552	Manual Holder	1		
10	901256	Decal, DANGER "Chemical Exposure"	1		
11	901258	Decal, DANGER "Electric Shock"	1		
12	91605	Decal, FEMA	1		
13	92199	Locknut 1"-8UNC	7		
14	9390-001	Capscrew 1/4-20UNC x 1/2"	4	Grade 5	
15	9390-187	Capscrew 1"-8UNC x 3"	1	Grade 5	
16	91299-199	Capscrew 1"-8UNC x 8"	2	Grade 8	
17	9392-140	Roll Pin 1/4" Dia. x 2"	1		
18	903174-535	Truss Head 1/4-20UNC x 3/4 Philips Machine Screw	2		
19	9405-116	Flat Washer 1" SAE	6		
20	94094	Decal, WARNING "Tongue May Raise or Drop Rapidly..."	1		
21	95445	Decal, WARNING "High-Pressure Fluid"	1		
22	97189	Hex Nut/Large Flange 1/4"-20UNC	2		
23	97575	Decal, CAUTION "Transport Chain"	1		
24	97961	Decal, WARNING "Read & Understand Operator Manual"	1		
25	9936	Locknut 1/4"-20UNC	4		
26	TA610050	Hitch Assembly	1	Includes Items 27 through 31	
	27	TA610050-1	Hitch Clevis	1	
	28	TA610050-2	Hitch Top Plate	1	
	29	TA610050-3	Hitch V-Block	1	
	30	TA610050-4	Neoprene Hitch Cushion	1	
	31	9390-149	Capscrew 3/4"-10UNC x 3"	1	
32	410887G	Hitch Extension Weldment =Green=	1		
	410887R	Hitch Extension Weldment =Red=			
33	9390-199	Capscrew 1"-8UNC x 8"	4	Grade 5	
34	91257	Hex Nut/Large Flange 5/16-18UNC	2		
35	91256	Screw/Large Flange 5/16-18UNC x 3/4	2		
36	9000104	Cable Tie 21 1/2" x 5/16"	3		
37	415536	Hose Caddy Plate	1		
38	415532B	Hose Caddy Weldment =Black=	1		

1800 & 2600 NutriMax Liquid Applicator — Parts

Center Toolbar & Latch Components — For 40' Toolbars

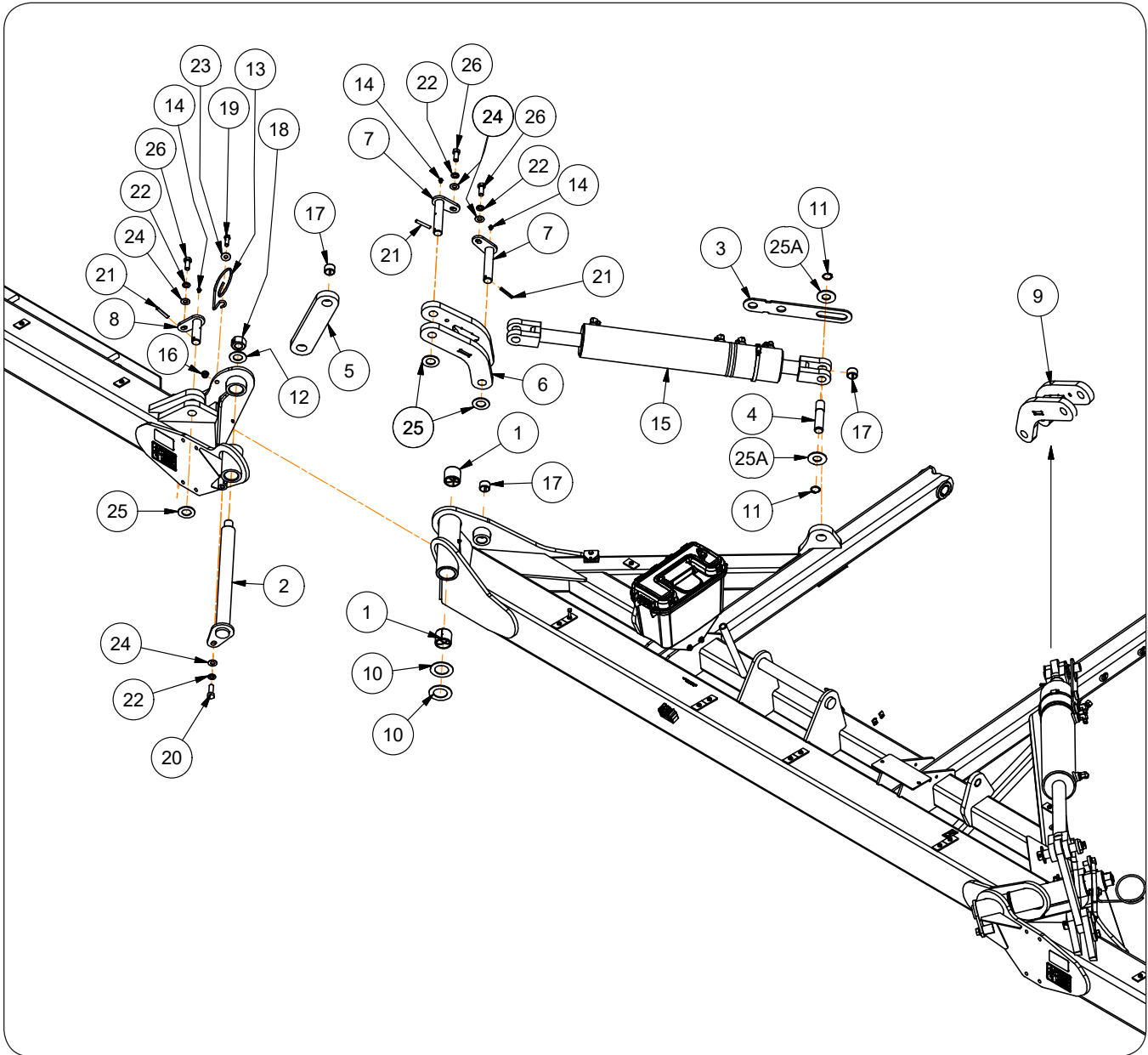
Please visit www.unverferth.com/parts/ for the most current parts listing.

ITEM	PART NUMBER	DESCRIPTION	QTY	NOTES
1	412937G	Latch Weldment =GREEN=	1	
	412937R	Latch Weldment =RED=		
2	412903G	Toolbar Center Section Weldment =GREEN=	1	
	412903R	Toolbar Center Section Weldment =RED=		
3	410446	Plate-Retainer, Pin	3	
4	411728	Latch Pin Weldmt	1	
5	411814	Pin- Latch, Tongue	1	
6	412932G	Tongue Weldment =GREEN=	1	
	412932R	Tongue Weldment =RED=		
7	412449	Pin-Cylinder	1	
8	9002806	Bushing-Split Tension	2	
10	9003810	Snap Ring 3/4"	3	
11	9004436	Spring-Extension	1	
12	9006150	Adapter 9/16-18 Male Flare x 9/16-18 O-Ring Male	2	5
13	9006935	Cylinder (1 1/2 x 2 1/2)	1	
	9006089	Seal Kit	-	
14	9007654	Zerk-Grease	5	
15	93622	Bushing	6	
16	9390-009	Capscrew 1/4"-20UNC x 2"	1	Grade 5
17	9390-100	Capscrew 1/2"-13UNC x 1 1/4"	1	Grade 5
18	9390-123	Capscrew 5/8"-11UNC x 1 3/4"	1	Grade 5
19	9404-025	Lock Washer 1/2"	1	
20	9405-104	Flat Washer 3/4" SAE	5	
22	95123	Tension Bushing	8	
23	9936	Locknut 1/4"-20UNC	1	
24	902456	Toolbox	1	
25	414125B	Toolbox Mounting Plate	1	
26	91262	Capscrew, 3/8-16UNC x 1"	4	Grade 5
27	91263	Flange Locknut, 3/8-16UNC	4	Grade 5
28	9390-029	Capscrew, 5/16-18UNC x 7/8"	2	Grade 5
29	9405-070	Flat Washer 5/16"	4	
30	9807	Top Locknut 5/16-18UNC	2	
31	412775	Toolbar Pivot Shim	4	

1800 & 2600 NutriMax Liquid Applicator — Parts

Center Toolbar to Main Wing Components — For 40' Toolbars

Please visit www.unverferth.com/parts/ for the most current parts listing.



Center Toolbar to Main Wing Components — For 40' Toolbars

Please visit www.unverferth.com/parts/ for the most current parts listing.

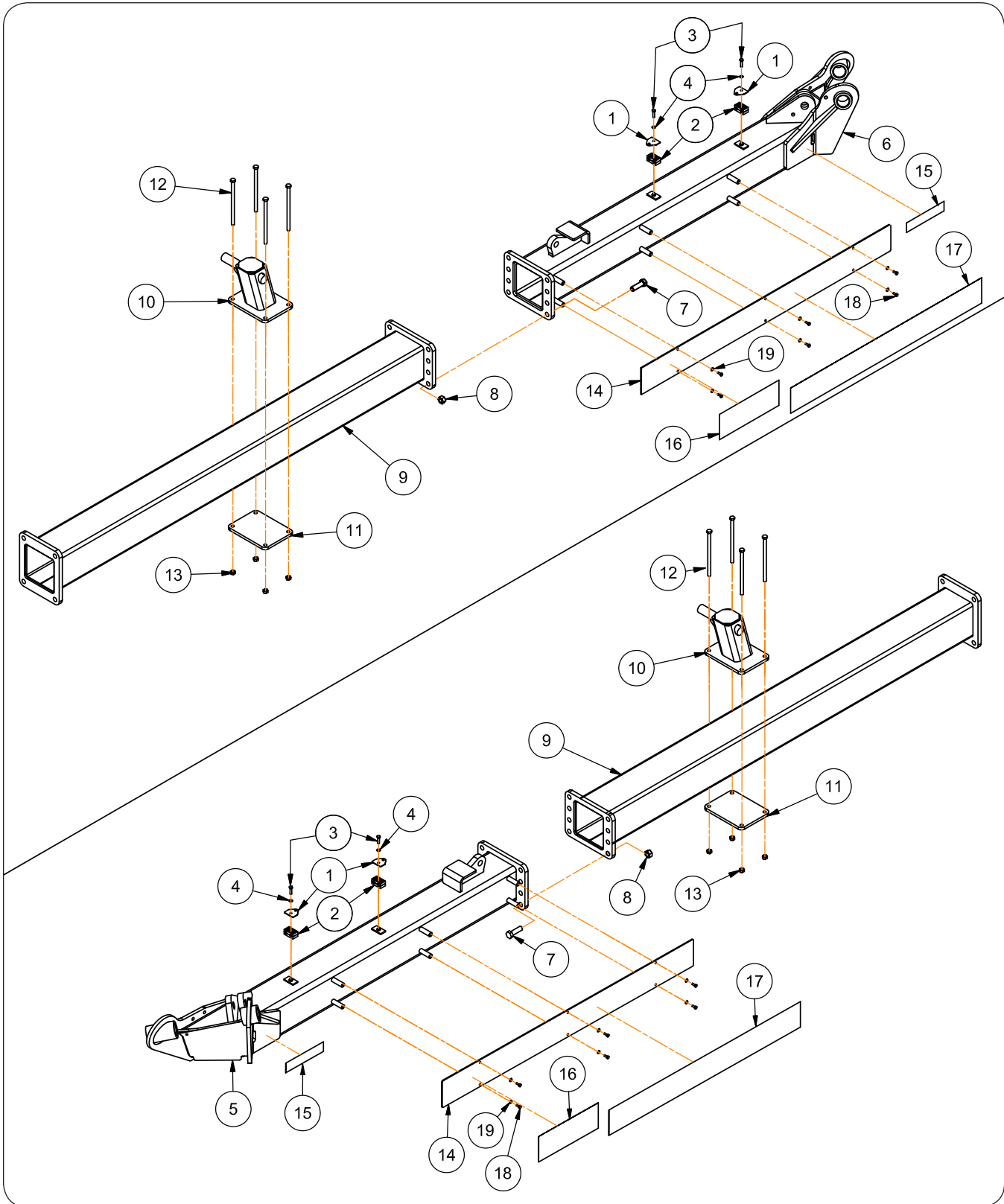
ITEM	PART NUMBER	DESCRIPTION	QTY	NOTES
1	95123	Tension Spring Bushing	4	
2	411619	Main Wing Pin Weldment	2	
3	412929B	Anti-Rotation, Cylinder Plate	2	
4	411741	Cylinder Pin 1 1/4" Dia. x 5 5/8"	2	
5	412930B	Main Wing Linkage Plate =BLACK=	2	
6	412947B	Main Wing Linkage Weldment, RH =BLACK=	1	
7	412430	Linkage Pin Weldment	4	
8	412431	Linkage Pin Weldment	2	
9	412946B	Main Wing Linkage Weldment, LH =BLACK=	1	
10	412445	Plate- Washer	4	
11	9006084	Retaining Ring 1 1/4"	4	
12	9007160	Washer-Hardened 1 1/4"	2	
13	9007278	Hose Holder	4	
14	9007654	Zerk-Grease	6	
15	9007655	Cylinder-4 1/2 x 21 (Twin Piston)	2	
16	91267	Flange Nut 1/2"-13UNC	2	
17	93622	Bushing	4	
18	93476	Locknut 1 1/4"-7UNC	2	
19	9390-102	Capscrew 1/2"-13UNC x 1 3/4"	2	Grade 5
20	9390-123	Capscrew 5/8"-11UNC x 1 3/4"	2	Grade 5
21	9392-182	Roll Pin 3/8" Dia. x 2 1/2"	6	
22	9404-029	Lock Washer 5/8"	8	
23	9405-088	Flat Washer 1/2" USS	4	
24	9405-098	Flat Washer 5/8" SAE	8	
25	9405-128	Flat Washer 1 1/4" SAE	6	
25A	9405-124	Flat Washer 1 1/8"	4	
26	9390-122	Capscrew 5/8"-11UNC x 1 1/2"	6	Grade 5

1800 & 2600 NutriMax Liquid Applicator — Parts

Main Wing to Outer Wing Components — Rigid Toolbar

For 40' Toolbars

Please visit www.unverferth.com/parts/ for the most current parts listing.



1800 & 2600 NutriMax Liquid Applicator — Parts

Main Wing to Outer Wing Components — Rigid Toolbar For 40' Toolbars

Please visit www.unverferth.com/parts/ for the most current parts listing.

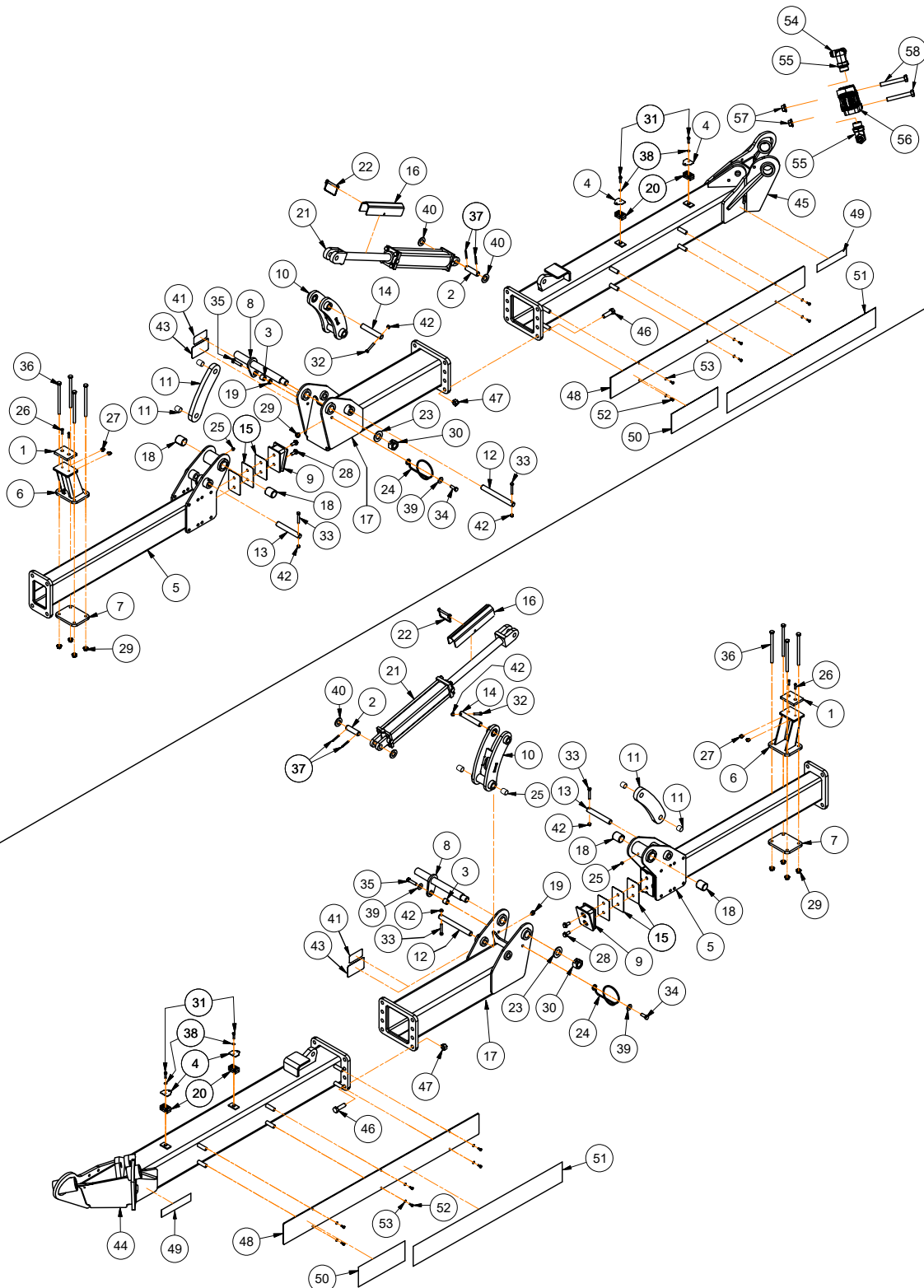
ITEM	PART NUMBER	DESCRIPTION	QTY	NOTES
1	411427B	Clamp Plate	4	
2	9003816	Poly Clamp Pair (0.54)	4	
3	9390-031	Capscrew 5/16"-18UNC x 1 1/4"	4	Grade 5
4	9404-019	Lock Washer 5/16"	4	
5	412915G	Main Wing Weldment, RH =GREEN=	1	
	412915R	Main Wing Weldment, RH =RED=		
6	412916G	Main Wing Weldment, LH =GREEN=	1	
	412916R	Main Wing Weldment, LH =RED=		
7	9390-147	Capscrew 3/4"-10UNC x 2 1/2"	16	Grade 5
8	96732	Locknut 3/4"-10UNC	16	
9	412954G	Outer Wing Weldment =GREEN=	2	
	412954R	Outer Wing Weldment =RED=		
10	412972B	Wing Rest Weldment =BLACK=	2	
11	412973B	Wing Rest Plate =BLACK=	2	
12	9390-435	Capscrew 1/2"-13UNC x 9"	8	Grade 5
13	94981	Locknut/Center 1/2-13UNC	8	
14	411857B	Decal Mount Plate =BLACK=	2	
15	9003127	Reflector 2 x 9 =Amber=	2	
16	9004213	Decal, UM Logo Tail	2	
17	9004298	Decal, UM Logo	2	
18	9390-003	Capscrew 1/4"-20UNC x 3/4"	12	Grade 5
19	9405-052	Flat Washer 3/16" USS	12	

1800 & 2600 NutriMax Liquid Applicator — Parts

Main Wing to Outer Wing Components — Folding Toolbar

For 40' Toolbars

Please visit www.unverferth.com/parts/ for the most current parts listing.



ITEM	PART NUMBER	DESCRIPTION	QTY	NOTES
1	254468	Auger Stop Pad (3 x 4)	2	
2	405338	Cylinder Pin 1" Dia. x 3 3/4"	2	

1800 & 2600 NutriMax Liquid Applicator — Parts

Main Wing to Outer Wing Components — Folding Toolbar For 40' Toolbars

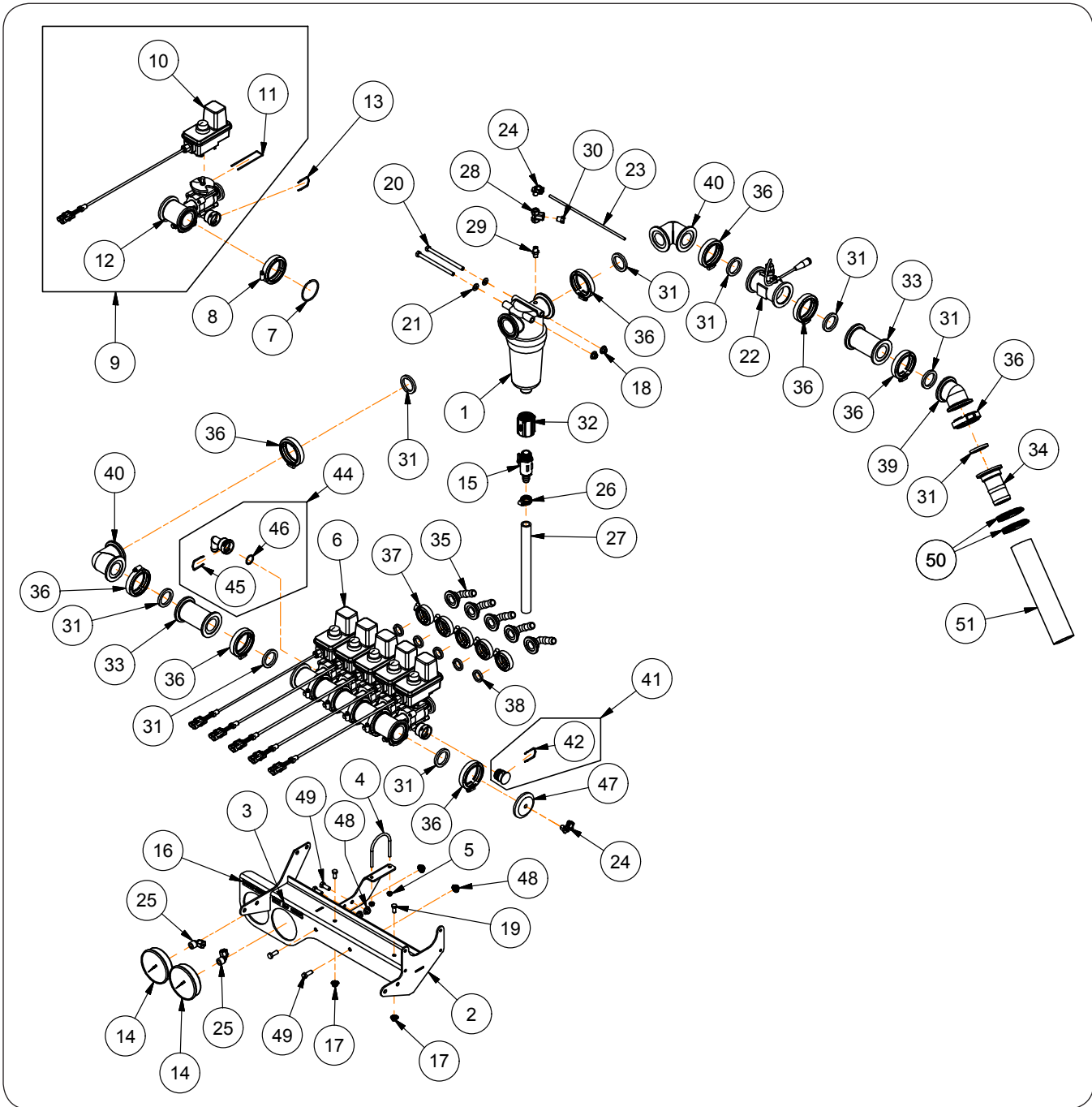
Please visit www.unverferth.com/parts/ for the most current parts listing.

ITEM	PART NUMBER	DESCRIPTION	QTY	NOTES
3	410511	Spacer/Bushing 1" Dia. x 1"	2	
4	411427B	Clamp Plate	4	
5	411628G	Outer Wing Weldment =GREEN=	2	
	411628R	Outer Wing Weldment =RED=		
6	411681B	Wing Rest Weldment =BLACK=	2	
7	411686B	Wing Rest Plate =BLACK=	2	
8	411726	Outer Wing Pin Weldment	2	
9	411737G	Wing Stop Weldment =GREEN=	2	
	411737R	Wing Stop Weldment =RED=		
10	411763B	Outer Wing Linkage Weldment =BLACK=	2	
11	411765B	Outer Wing Linkage Plate =BLACK=	2	
12	411806	Outer Wing Linkage Pin 1" Dia. x 9 3/4"	2	
13	411807	Outer Wing Linkage Pin 1" Dia. x 7 1/8"	2	
14	411808	Outer Wing Linkage Pin 1" Dia. x 6 1/4"	2	
15	411899	Outer Wing Shim	6	
16	412804B	Cylinder Stop =BLACK=	2	
	414333G	Intermediate Wing Weldment 40' =Green=		
17	414333R	Intermediate Wing Weldment 40' =Red=	2	
18	9002806	Split Tension Bushing 1 3/4" Dia. x 2"	4	Grade 5
19	9003397	Locking Flange Nut 1/2"-13UNC	2	
20	9003816	Poly Clamp Pair (0.54)	4	
21	9004660	Cylinder 3" x 16" (3000 PSI)	2	
22	9005305	Lynch Pin 3/8" Dia. x 3"	2	
23	9007160	Washer 1 1/4 (Hardened)	2	
24	9007278	Hose Holder	4	
25	9007654	Grease Zerk	2	
26	903171-662	Screw Flat Countersunk Head Phillips 5/16"-18UNC x 1 1/4"	4	
27	91257	Hex Nut/Large Flange 5/16"-18UNC	4	
28	91266	Flange Screw 1/2"-13UNC x 1 1/4"	4	
29	91267	Flange Nut 1/2"-13UNC	10	
30	93476	Locknut 1 1/4"-7UNC	4	
31	9390-031	Capscrew 5/16"-18UNC x 1 1/4"	4	Grade 5
32	9390-060	Capscrew 3/8"-16UNC x 2 1/4"	2	Grade 5
33	9390-061	Capscrew 3/8"-16UNC x 2 1/2"	4	Grade 5
34	9390-101	Capscrew 1/2"-13UNC x 1 1/2"	2	Grade 5
35	9390-104	Capscrew 1/2"-13UNC x 2 1/4"	2	Grade 5
36	9390-119	Capscrew 1/2"-13UNC x 8"	8	Grade 5
37	9392-140	Roll Pin 1/4Dx2	4	
38	9404-019	Lock Washer 5/16"	4	
39	9405-088	Flat Washer 1/2" USS	4	
40	9405-116	Flat Washer 1" SAE	4	
41	95839	Decal, WARNING "Pinch Point"	2	
42	9928	Locknut 3/8"-16UNC	6	
43	TA510079	Decal, WARNING "Folding/Unfolding"	2	
44	412915G	Main Wing Weldment, RH =GREEN=	1	
	412915R	Main Wing Weldment, RH =RED=		
45	412916G	Main Wing Weldment, LH =GREEN=	1	
	412916R	Main Wing Weldment, LH =RED=		
46	9390-147	Capscrew 3/4"-10UNC x 2 1/2" Gr5	16	
47	96732	Locknut 3/4"-10UNC	16	
48	411857B	Decal Mount Plate =BLACK=	2	
49	9003127	Reflector 2 x 9 =Amber=	2	
50	9004213	Decal, UM Logo Tail	2	
51	9004298	Decal, UM Logo	2	
52	9390-003	Capscrew 1/4"-20UNC x 3/4"	12	Grade 5
53	9405-052	Flat Washer 3/16" USS	12	
54	9006157	Hyd. Tee 9/16 FO x 9/16 FJS x 9/16 FO	1	
55	9006173	90° Elbow 9/16 Female O-Ring x 3/4 Male O-Ring	2	
56	9008047	Diverter Valve	1	
57	900908-004	Locknut, 5/16"-18UNC	2	
58	9390-035	Capscrew, 5/16"-18UNC x 2 1/4"	2	

1800 & 2600 NutriMax Liquid Applicator — Parts

5 Section Manifold Components — For 40' Toolbars

Please visit www.unverferth.com/parts/ for the most current parts listing.



ITEM	PART NUMBER	DESCRIPTION	QTY	NOTES
	412440B	Product Valves - 5 Section Assembly	1	
1	402255	2" Strainer	1	
2	411906B	Ball Valve Mount Weldment =Black=	1	
3	9003687	Decal, Filter Inlet Pressure	1	
4	9004681	U-Bolt 1/4"-20UNC	1	Stainless Steel
5	9004720	Serrated Flange Nut 1/4"-20UNC	2	Stainless Steel

1800 & 2600 NutriMax Liquid Applicator — Parts

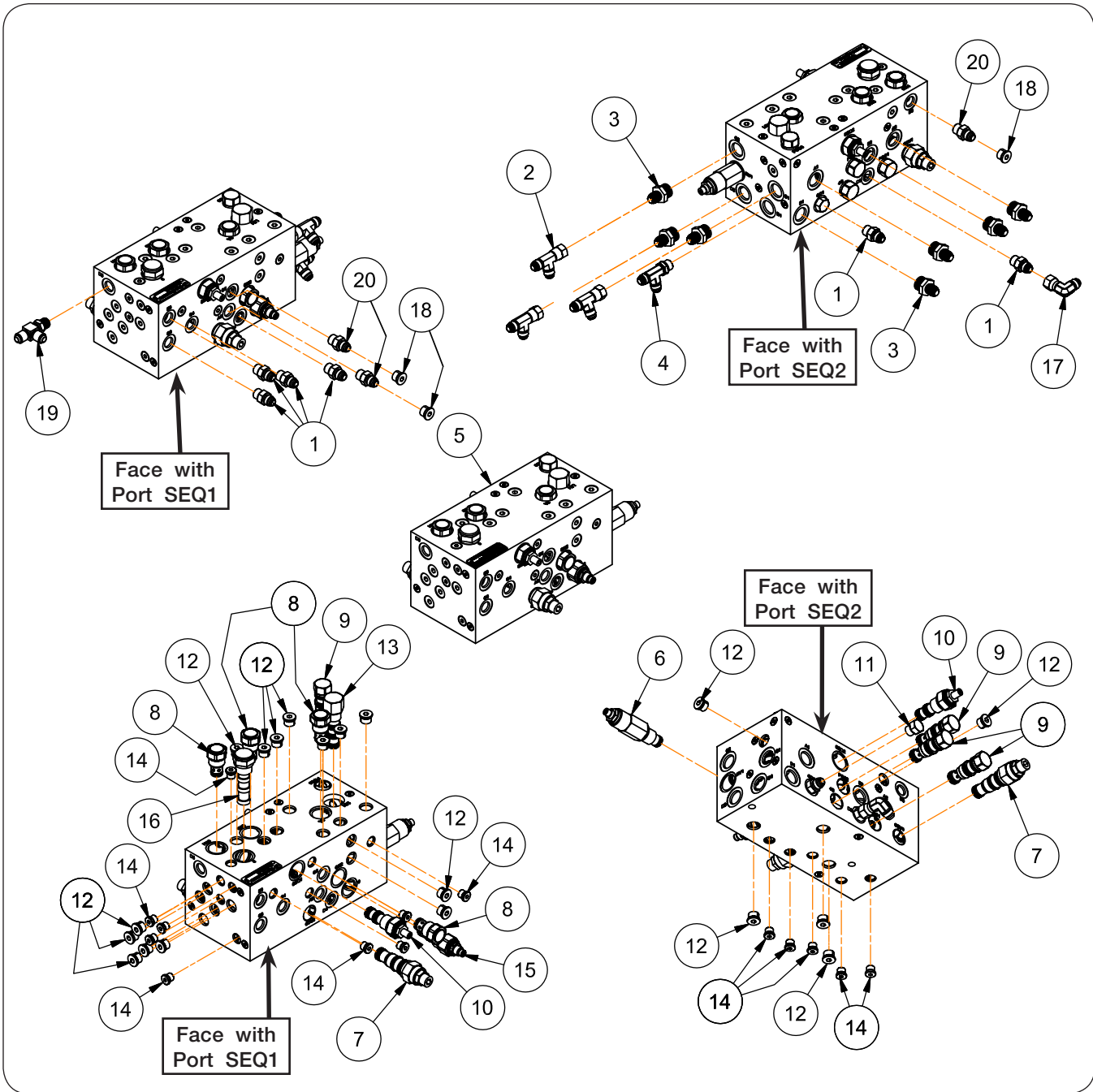
5 Section Manifold Components — For 40' Toolbars

Please visit www.unverferth.com/parts/ for the most current parts listing.

ITEM	PART NUMBER	DESCRIPTION	QTY	NOTES
6	9006801	Five Ball Valve Assembly	1	
7	9006626	O-Ring	4	
8	TA815025	2" Flange Clamp	4	
9	TA854881	Ball Valve Assembly	5	
10	TA854874	Valve Motor	1	
11	TA854875	Retainer Clip	1	
12	TA854882	Ball Valve	1	
13	TA854883	Wire Clip Retainer	4	Stainless Steel
14	9007569	Gauge-Pressure (0-160 PSI)	2	
15	9007699	Valve-Poly, Micro, 3/4" Male x 3/4" Hose Barb	1	
16	9003841	Decal, Tip Pressure	1	
17	91257	Flange Nut 5/16"-18UNC	2	
18	91263	Nut/Large Flange 3/8"-16UNC	2	
19	9390-028	Capscrew 5/16"-18UNC x 3/4"	2	
20	9390-070	Capscrew 3/8"-16UNC x 5 1/2"	2	
21	9405-074	Flat Washer 3/8" SAE	2	
22	TA720365	Flow Meter	1	
23	TA720620	Gauge Tubing 1/4"	15 Ft.	
25	TA720812	Elbow 1/4" FPT x 1/4" Tube	2	
26	TA800910	Hose Clamp 1/2" SAE	1	
27	TA806250	Hose 3/4" Dia. EPDM	4 Ft.	
28	TA809190	Tee 1/4" FPT	1	
29	TA809325	Hex Pipe Nipple 1/4"	1	
30	TA809875	Hex Plug 1/4"-18 NPT	1	
31	TA811944	Gasket 1 5/8" ID	9	
32	TA814710	Reducer Coupling 1" FPT x 3/4" FPT	1	
33	TA815003	Coupling 2" Flange x 2" Flange	2	
34	TA815016	Hose Barb 2" Flange x 2" Hose Shank	1	
35	TA815017	90° Elbow 1" Flange x 3/4" Hose Barb	5	
36	TA815025	2" Worm Screw Flange Clamp	9	
37	TA815026	1" Worm Screw Flange Clamp	5	
38	TA815029	Gasket 1" ID	5	
39	TA816004	45° Elbow 2" Flange x 2" Flange	1	
40	TA816017	90° Elbow 2" Flange Short x 2" Flange Short	2	
41	TA854884	Plug Kit	1	
42	TA854883	Wire Clip Retainer	1	
43	TA854887	O-Ring	1	
44	TA854885	Adapter Kit	1	
45	TA854883	Wire Clip Retainer	1	
46	TA854887	O-Ring	1	
47	TA815023	Plug 2" Flange	1	
48	91263	Nut/Large Flange 3/8"-16UNC	4	
49	9390-055	Capscrew 3/8"-16UNC x 1"	4	Grade 5
50	TA800922	Worm Drive Hose Clamp	2	
51	TA806328	Hose 2" Dia. EPDM	1 Ft.	

Hydraulic Valve Block Applicator Assembly Components
— For 40' Toolbar

Please visit www.unverferth.com/parts/ for the most current parts listing.



1800 & 2600 NutriMax Liquid Applicator — Parts

Hydraulic Valve Block Applicator Assembly Components — For 40' Toolbar

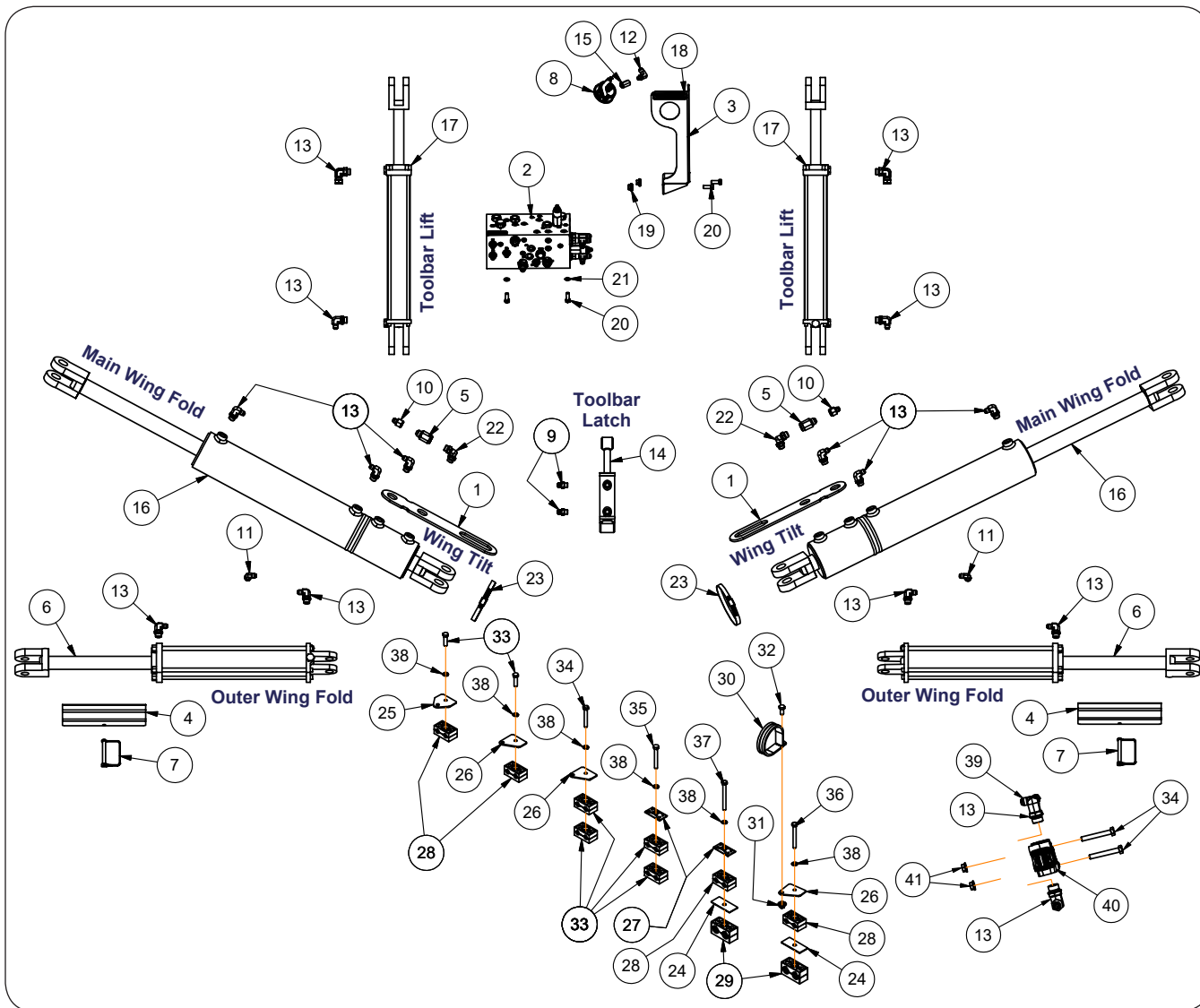
Please visit www.unverferth.com/parts/ for the most current parts listing.

ITEM	PART NUMBER	DESCRIPTION	QTY.		NOTES	
			RIGID TOOLBAR	FOLDING TOOLBAR		
	412446	Hydraulic Valve Block Applicator Assembly	-	-	Includes Items 1 through 17	
1	9006150	Adapter 9/16-16 JIC Male x 9/16-16 Male O-Ring	6	6		
2	9006157	Tee 9/16 Flare x 9/16 Flare x 9/16 Flare	3	3		
3	9006165	Adapter 9/16 Male Flare x 3/4 O-Ring Male	7	7		
4	9006168	Tee 9/16 Flare x 3/4 O-Ring Male x 9/16 Flare	1	1		
5	9007659	Manual Hydraulic Valve Block Assembly	1	1	Includes Items 6 through 16	
	6	9007811	Relief Valve	1	1	
	7	9007380	Valve, Counterbalance	2	2	
	8	9007812	Check Valve	4	4	
	9	9007381	Valve, Pilot Operated Check	4	4	
	10	9007240	Cartridge Valve - Sequence Valve	2	2	
	11	9007243	Hex Plug, 9/16-18	1	1	
	12	9003423	Plug, with Hollow Hex Socket 9/16-18 O-Ring Male Boss	19	19	
	13	9008504	Logic Element	1	1	
	14	9002598	Plug, with Hollow Hex Socket 7/16-20 O-Ring Male Boss	14	14	
	15	9007844	Reducing Valve	1	1	
	16	9007845	Flow Divider/Combiner Cartridge	1	1	
17	9876	90° Elbow, 9/16-18 JIC Male x 9/16-18 JIC Female	-	1		
18	9003423	Plug, with Hollow Hex Socket 9/16-18 O-Ring Male Boss	4	-		
19	9004064	Straight Run Tee, 9/16-18 Male O-Ring to 9/16 Male JIC	-	1		
20	9006150	Adapter 9/16-16 JIC Male x 9/16-16 Male O-Ring	-	3		

1800 & 2600 NutriMax Liquid Applicator — Parts

Hydraulic Components (Except Hydraulic Hoses) — For 40' Toolbar

Please visit www.unverferth.com/parts/ for the most current parts listing.



ITEM	PART NUMBER	DESCRIPTION	RIGID TOOLBAR	FOLDING TOOLBAR	NOTES
1	411740B	Plate, Cylinder Anti-Rotation	2	2	
2	-	Applicator Valve Block Assembly	1	1	
3	412459B	Gauge Mount Weldment =BLACK=	1	1	
4	412805B	Cylinder Stop Kit	1	1	
5	75435	In-Line Check Valve with 0.055 Restrictor	2	2	
6	9004660	Hydraulic Cylinder 3" x 16"	-	2	
	9004382	Seal Kit	-	-	
7	9005305	Lynch Pin 3/8" Dia. x 3"	2	2	
8	9006017	Gauge (3000 PSI)	1	1	
9	9006150	Adapter 9/16-18 Male Flare x 9/16-18 O-Ring Male	2	2	
10	9006152	TB Reducer 3/4-16 Female JIS x 9/16-16 Male Flare	2	2	
11	9006171	90° Elbow 9/16 Male Flare x 9/16 O-Ring Male	2	4	

1800 & 2600 NutriMax Liquid Applicator — Parts

Hydraulic Components (Except Hydraulic Hoses) — For 40' Toolbar

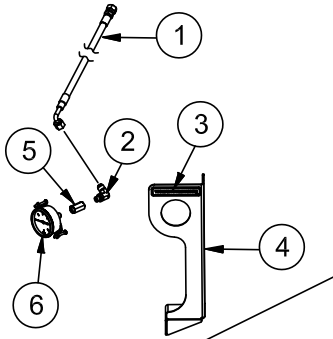
Please visit www.unverferth.com/parts/ for the most current parts listing.

ITEM	PART NUMBER	DESCRIPTION	RIGID TOOLBAR	FOLDING TOOLBAR	NOTES
12	9006172	90° Elbow 9/16 Male Flare x 7/16 O-Ring Male	1	1	
13	9006173	90° Elbow 9/16 Male Flare x 3/4 O-Ring Male	10	18	
14	9006935	Hydraulic Cylinder 1 1/2" x 2 1/2"	1	1	
	9006089	Seal Kit	-	-	
15	9007580	Coupling-O-Ring, 7/16	1	1	
16	9007655	Hydraulic Cylinder 4 1/2" x 21" (Twin Piston)	2	2	
	9007852	Seal Kit	-	-	
17	95397	Hydraulic Cylinder 3" x 8"	2	2	
	9003772	Seal Kit	-	-	
18	9007846	Decal, "Toolbar Down Pressure"	1	1	
19	91263	Nut/Large Flange 3/8"-16UNC	2	2	
20	9390-055	Capscrew 3/8"-16UNC x 1" Gr5	4	4	
21	9404-021	Lock Washer 3/8"	2	2	
22	TA0-924696-0	90° Elbow 3/4-16 O-ring Male x 3/4-16 O-Ring Male	2	2	
23	9007828	Hose Clamp	2	2	
24	410873B	Plate — Hose Clamp Spacer	4	4	
25	411427B	Clamp Plate	6	6	
26	411915B	Clamp Plate	5	5	
27	9003814	Top Plate	13	13	
28	9003816	Poly Double Hose Clamp (0.54)	36	36	
29	9004856	Poly Double Hose Clamp (0.87)	4	4	
30	9007320	Metal Cable Clamp 3" x 3/4"	1	1	
31	91257	Hex Nut/Large Flange 5/16"-18UNC	5	5	
32	9390-028	Capscrew 5/16"-18UNC x 3/4" Gr5	1	1	
33	9390-031	Capscrew 5/16"-18UNC x 1 1/4" Gr5	8	8	
34	9390-035	Capscrew 5/16"-18UNC x 2 1/4" Gr5	3	5	
35	9390-036	Capscrew 5/16"-18UNC x 2 1/2" Gr5	10	10	
36	9390-037	Capscrew 5/16"-18UNC x 2 3/4" Gr5	1	1	
37	9390-039	Capscrew 5/16"-18UNC x 3 1/4" Gr5	3	3	
38	9404-019	Lock Washer 5/16"	24	24	
39	9006157	Hyd. Tee 9/16 FO x 9/16 FJS x 9/16 FO	-	1	
40	9008047	Diverter Valve	-	1	
41	900908-004	Locknut, 5/16"-18UNC	-	2	

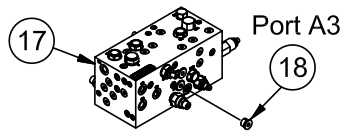
Hydraulic Hoses to Tractor & Toolbar Down Pressure Gauge
— For 40' Toolbar

Please visit www.unverferth.com/parts/ for the most current parts listing.

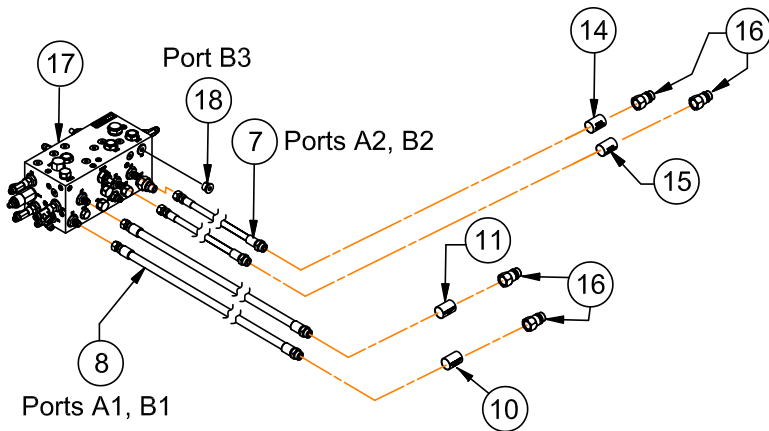
Down Pressure Gauge



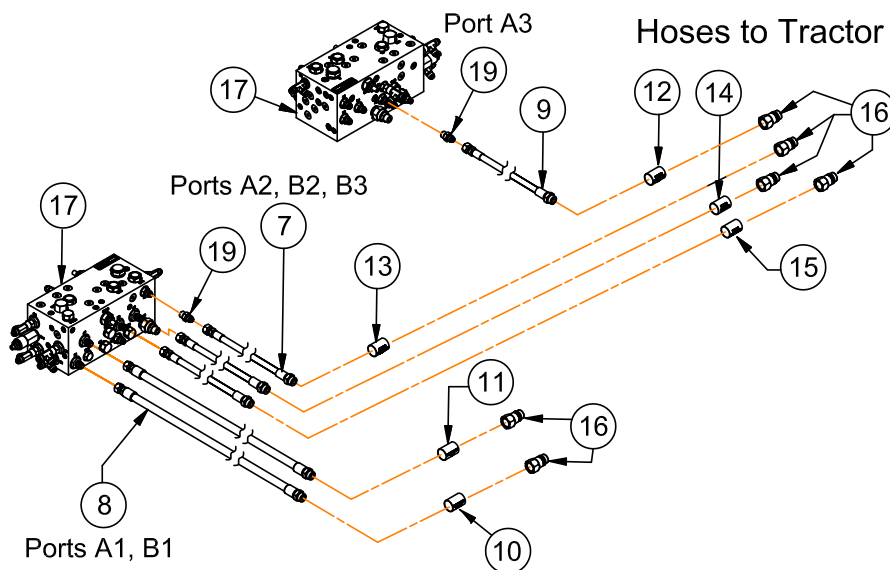
Rigid Units



Hoses to Tractor



Folding Units



1800 & 2600 NutriMax Liquid Applicator — Parts

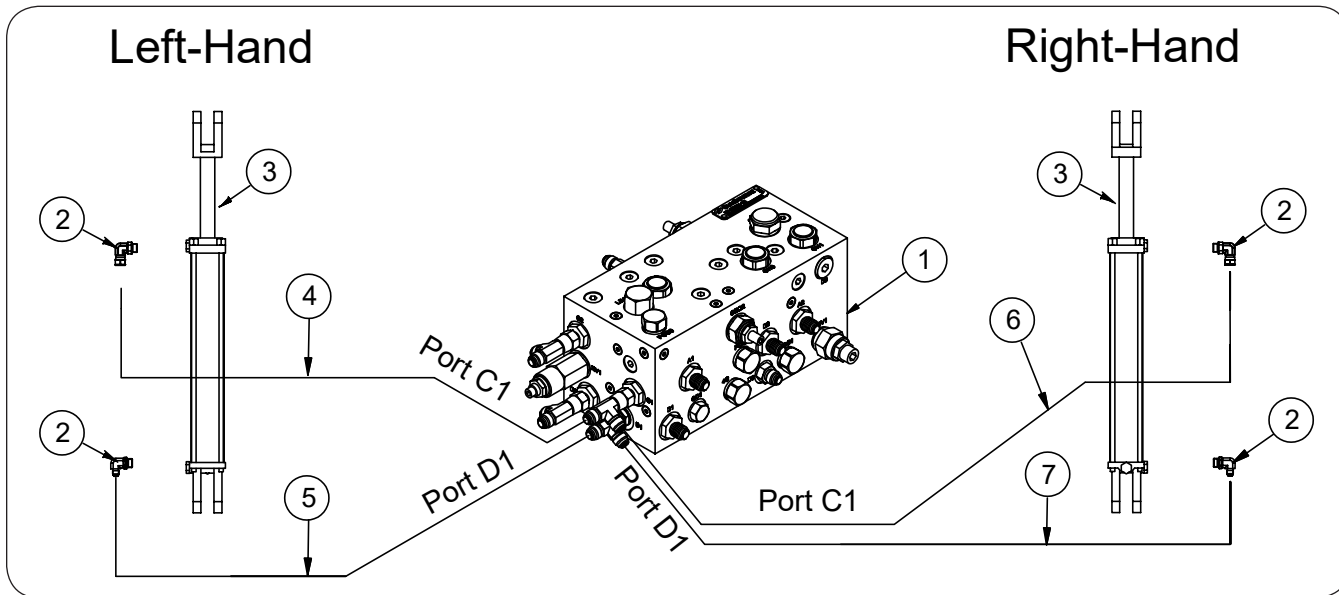
Hydraulic Hoses to Tractor & Toolbar Down Pressure Gauge — For 40' Toolbar

Please visit www.unverferth.com/parts/ for the most current parts listing.

ITEM	PART NUMBER	DESCRIPTION	QTY		NOTES
			RIGID TOOLBAR	FOLDING TOOLBAR	
1	9004112	Hydraulic Hose 1/4" x 14" 9/16-18 JIC Female x 9/16-18 JIC 90° Female Short Drop	1	1	
2	9006172	90° Elbow 9/16 Male Flare x 7/16 O-Ring Male	1	1	
3	9007846	Decal, "Toolbar Down Pressure"	1	1	
4	412459B	Gauge Mount Weldment =BLACK=	1	1	
5	9007580	Coupling-O-Ring, 7/16	1	1	
6	9006017	Gauge (3000 PSI)	1	1	
7	9008556	Hydraulic Hose 1/4" x 226" 3/4-16 O-Ring Male x 9/16-18 JIC Female	2	3	
8	9008645	Hydraulic Hose 3/8" x 224" 3/4-16 O-Ring Male x 9/16-18 JIC Female	2	2	
9	9003339	Hydraulic Hose 1/4" x 243 1/2" 3/4-16 O-Ring Male x 9/16-18 JIC Female	-	1	
10	9007463	Hose Marker-Main Lift Down (Red)	1	1	
11	9007464	Hose Marker-Main Lift Up (Red)	1	1	
12	9007466	Hose Marker-Outer Wing Fold In (Blue)	-	1	
13	9007465	Hose Marker-Outer Wing Fold Out (Blue)	-	1	
14	9007467	Hose Marker-Wing Fold In (Gray)	1	1	
15	9007468	Hose Marker-Wing Fold Out (Gray)	1	1	
16	91383	Male Tip Coupling 3/4-16 JIC	4	6	
17	9007659	Hydraulic Block Valve Assembly	1	1	
18	9003423	Plug 9/16-18 O-Ring Male Boss W/Hollow Hex Socket	2	-	
19	9006150	Adapter 9/16-18 Male Flare x 9/16-18 O-Ring Male	-	2	

Hydraulic Hoses to Toolbar Lift Cylinders — For 40' Toolbar

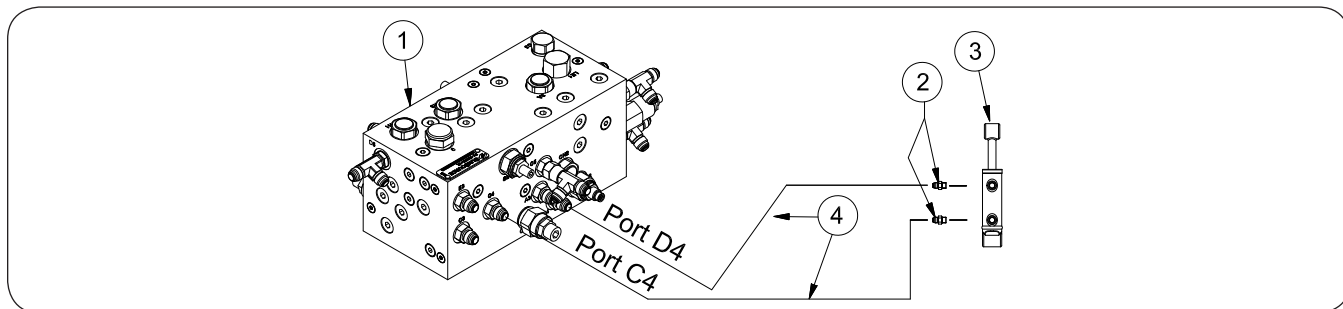
Please visit www.unverferth.com/parts/ for the most current parts listing.



ITEM	PART NUMBER	DESCRIPTION	QTY RIGID & FOLDING TOOLBARS
1	9007659	Hydraulic Block Valve Assembly	1
2	9006173	90° Elbow 9/16 Male Flare x 3/4 O-Ring Male	4
3	95397	Hydraulic Cylinder 3" x 8"	2
	9003772	Seal Kit	-
4	93847	Hydraulic Hose 1/4 x 42 9/16-16 JIC Female x 9/16-18 JIC 90° Female Medium Drop	1
5	94919	Hydraulic Hose 1/4 x 34 9/16-18 JIC Female x 9/16-18 JIC Female	4
6	9009395	Hydraulic Hose 1/4 x 120 9/16-18 JIC Female x 9/16-18 JIC 90° Female Short Drop	1
7	9003214	Hydraulic Hose 1/4 x 114 9/16-18 JIC Female x 9/16-18 JIC 90° Female Short Drop	1

Hydraulic Hoses to Toolbar Latch Cylinder — For 40' Toolbar

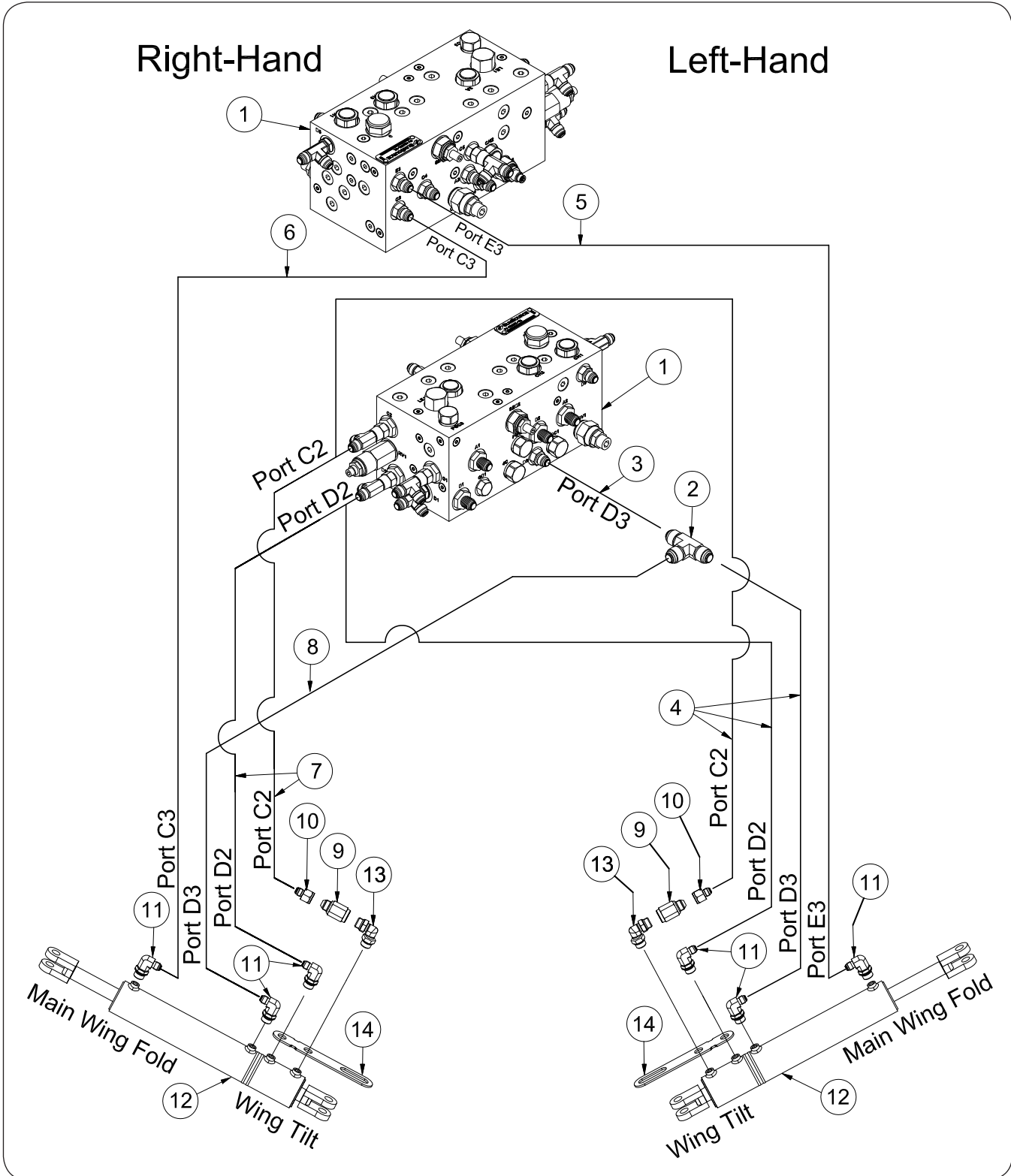
Please visit www.unverferth.com/parts/ for the most current parts listing.



ITEM	PART NUMBER	DESCRIPTION	QTY RIGID & FOLDING TOOLBARS
1	9007659	Hydraulic Block Valve Assembly	1
2	9006150	Adapter 9/16-18 Male Flare x 9/16-18 O-Ring Male	2
3	9006935	Hydraulic Cylinder 1 1/2" x 2 1/2"	1
	9006089	Seal Kit	-
4	95594	Hydraulic Hose 1/4 x 110 9/16-18 JIC Female x 9/16-18 JIC Female	2

Hydraulic Hoses to Main Wing & Wing Tilt Cylinders
— For 40' Toolbar

Please visit www.unverferth.com/parts/ for the most current parts listing.



1800 & 2600 NutriMax Liquid Applicator — Parts

Hydraulic Hoses to Main Wing & Wing Tilt Cylinders — For 40' Toolbar

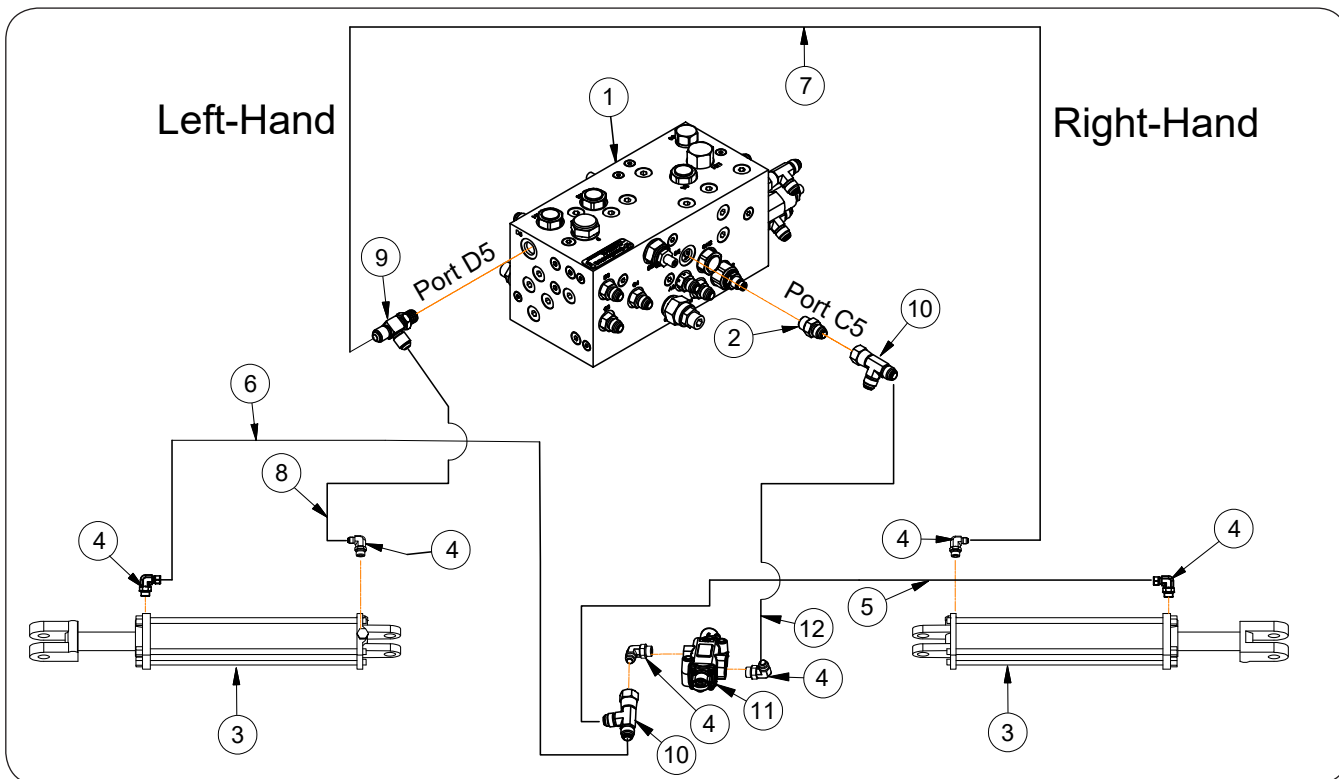
Please visit www.unverferth.com/parts/ for the most current parts listing.

ITEM	PART NUMBER	DESCRIPTION	QTY RIGID & FOLDING TOOLBARS
1	9007659	Hydraulic Block Valve Assembly	1
2	9006164	Tee 9/16-18 JIC Male x 9/16-18 JIC Male x 9/16-18 JIC Male	1
3	93472	Hydraulic Hose 1/4 x 16 9/16-18 JIC Female x 9/16-18 JIC Female	4
4	9002503	Hydraulic Hose 1/4 x 76 9/16-18 JIC Female x 9/16-18 JIC Female	3
5	9004309	Hydraulic Hose 1/4 x 86 9/16-18 JIC Female x 9/16-18 JIC 90° Female Short Drop	1
6	9004885	Hydraulic Hose 1/4 x 108 9/16-18 JIC Female x 9/16-18 JIC 90° Female Short Drop	1
7	95639	Hydraulic Hose 1/4 x 140 9/16-18 JIC Female x 9/16-18 JIC Female	2
8	9007885	Hydraulic Hose 1/4 x 103 1/2 9/16-18 JIC Female Swivel (Ends Capped)	1
9	75435	In-Line Check Valve with 0.055 Restrictor	2
10	9006152	TB Reducer 3/4-16 Female JIS x 9/16-16 Male Flare	2
11	9006173	90° Elbow 9/16 Male Flare x 3/4 O-Ring Male	12
12	9007655	Hydraulic Cylinder 4 1/2" x 21" (Twin Piston)	2
12	9007852	Seal Kit	-
13	TA0-924696-0	90° Elbow 3/4-16 O-ring Male x 3/4-16 O-Ring Male	2
14	411740B	Plate, Cylinder Anti-Rotation	

1800 & 2600 NutriMax Liquid Applicator — Parts

Hydraulic Hoses to Outer Wing Cylinders & Diverter Valve — For 40' Toolbar

Please visit www.unverferth.com/parts/ for the most current parts listing.



ITEM	PART NUMBER	DESCRIPTION	QTY FOLDING TOOLBARS ONLY
1	9007659	Hydraulic Block Valve Assembly	1
2	9006150	Adapter 9/16-18 Male Flare x 9/16-18 O-Ring Male	1
3	9004660	Hydraulic Cylinder 3" x 16"	2
	9004382	Seal Kit	-
4	9006173	90° Elbow 9/16 Male Flare x 3/4 O-Ring Male	6
5	9003341	Hydraulic Hose 1/4 x 236 9/16-18 JIC Female x 9/16-18 JIC Female	1
6	95638	Hydraulic Hose 1/4 x 130 9/16-18 JIC Female x 9/16-18 JIC Female	1
7	95641	Hydraulic Hose 1/4 x 160 9/16-18 JIC Female x 9/16-18 JIC 90° Female Short Drop	1
8	9004061	Hydraulic Hose 1/4 x 185 9/16-18 JIC Female x 9/16-18 JIC 90° Female Medium Drop	1
9	9004064	Straight Run Tee, 9/16-18 Male O-Ring to 9/16 Male JIC	1
10	9006157	Tee 9/16 Flare x 9/16 Flare x 9/16 Flare	2
11	9008047	Hydraulic Valve - 2-Way Diverter Valve	1
12	93847	Hydraulic Hose 1/4 x 42 9/16-18 JIC Female x 9/16-18 JIC Female	1

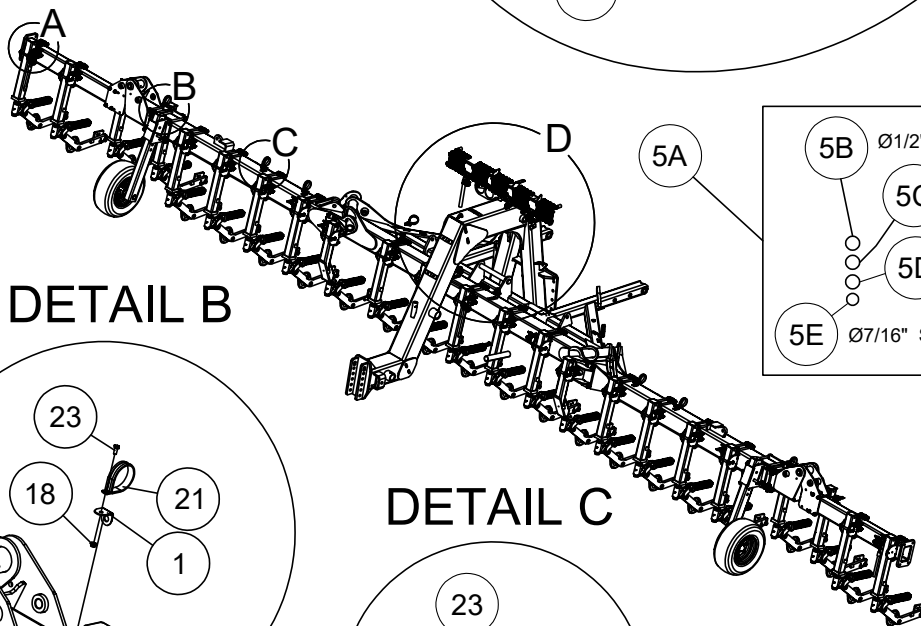
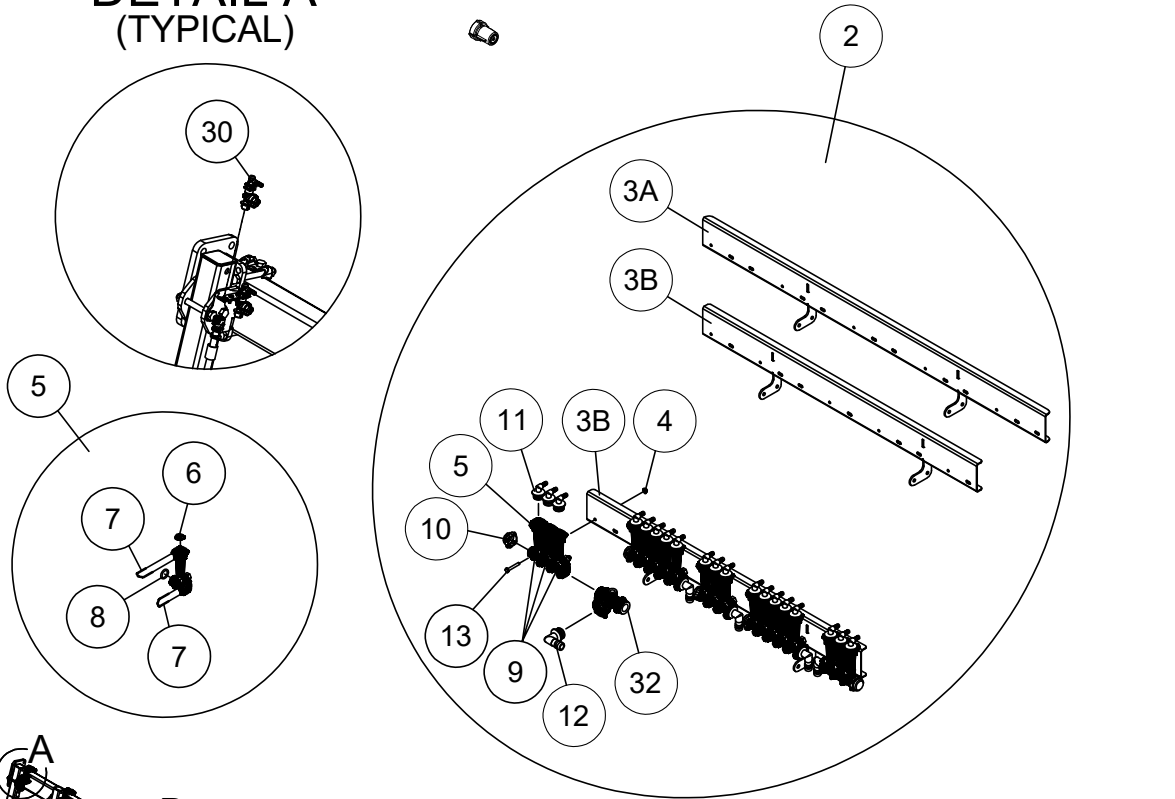
Notes

Please visit www.unverferth.com/parts/ for the most current parts listing.

Flow Ball Components — For 40' Toolbars

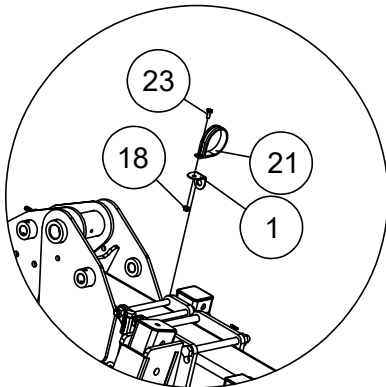
Please visit www.unverferth.com/parts/ for the most current parts listing.

DETAIL A
(TYPICAL)

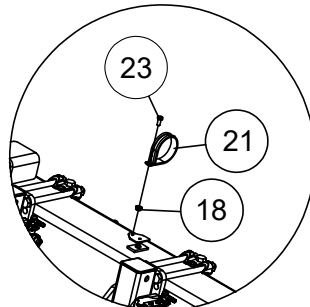


- 5B Ø1/2" RED CELRON
- 5C Ø1/2" MAROON GLASS
- 5D Ø1/2" STAINLESS STEEL
- 5E Ø7/16" STAINLESS STEEL

DETAIL B

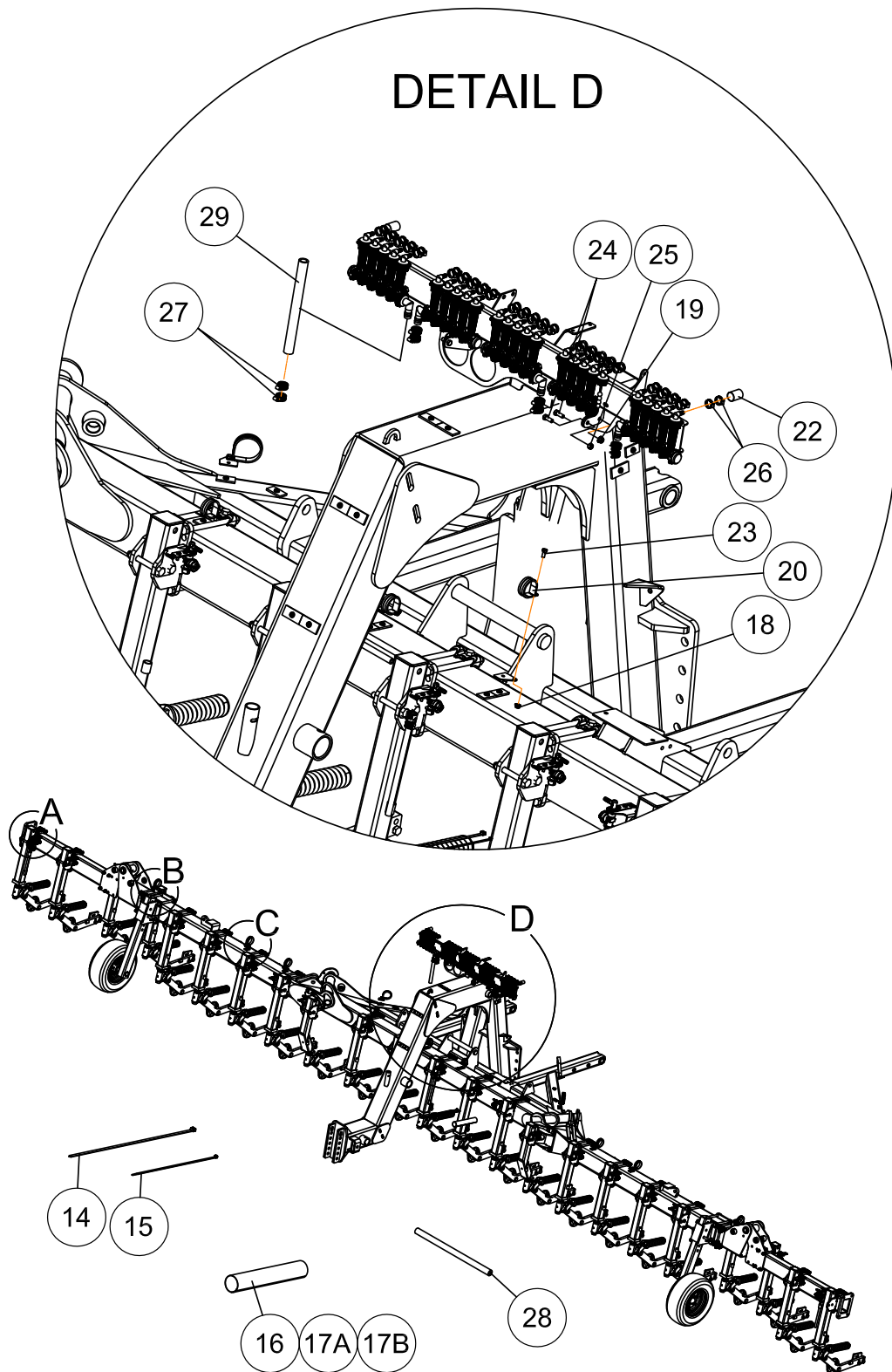


DETAIL C



Flow Ball Components — For 40' Toolbars

Please visit www.unverferth.com/parts/ for the most current parts listing.



1800 & 2600 NutriMax Liquid Applicator — Parts

Flow Ball Components — For 40' Toolbars

Please visit www.unverferth.com/parts/ for the most current parts listing.

ITEM	PART NUMBER	DESCRIPTION	QTY.	NOTES
	414038SM	Flow Ball Monitor, 40' - 30" (Silver Mist)	-	Rigid Toolbar
	412304SM	Flow Ball Monitor, 40' - 20" (Silver Mist)		Folding Toolbar
	412306SM	Flow Ball Monitor, 40' - 30" (Silver Mist)		Folding Toolbar
1	411267B	Clamp Plate Mount =Black=	2	
2	412467SM	Flow Monitor Assembly =Silver Mist=	1	(For 40'-20" & 44'-22")
	412438SM	Flow Monitor Assembly =Silver Mist=		(For 40'-30" - Folding Toolbar)
	414164SM	Flow Monitor Assembly =Silver Mist=		(For 40'-30" - Rigid Toolbar & 40'-36"/38" - Folding Toolbar)
3A	411931SM	Flow Monitor Mount Weldment =Silver Mist=	1	(For 40'-20" & 44'-22")
3B	411933SM	Flow Monitor Mount Weldment =Silver Mist=	1	(For 40'-30")
4	9004720	Flange Nut, 1/4-20UNC (SS)	10	(For 40'-20" & 44'-22")
				(For 40'-30" - Folding Toolbar)
				(For 40'-30" - Rigid Toolbar)
5	9008688	Flow Body Indicator Assembly	25	(For 40'-20" & 44'-22")
			19	(For 40'-30" - Folding Toolbar)
			17	(For 40'-30" - Rigid Toolbar)
5A	9007708	Indicator Flow Balls Assembly	1	Includes Items 5B through 5E
5B	9007779	Indicator Flow Ball =Stainless Steel=	1	
5C	9007780	Indicator Flow Ball =Maroon Glass=	1	
5D	9007781	Indicator Flow Ball =Red Celron=	1	
5E	9007883	Indicator Flow Ball =Stainless Steel=	1	
6	9007704	Ball Retainer Indicator	1	
7	9007705	Locking Clip	2	
8	9007706	O-Ring	1	
9	9008659	Flow Indicator Body	25	Includes Item 5A (For 40'-20" & 44'-22")
			19	Includes Item 5A (For 40'-30" - Folding Toolbar)
			17	Includes Item 5A (For 40'-30" - Rigid Toolbar)
10	9007707	Flow Cap Indicator	10	
11	9007710	Elbow Fitting Indicator, 3/8"	25	(For 40'-20" & 44'-22")
			19	(For 40'-30" - Folding Toolbar)
			17	(For 40'-30" - Rigid Toolbar)
12	9007713	Elbow Fitting Indicator, 3/4"	5	
13	900900-008	Capscrew, 1/4-20UNC x 1 3/4 (SS)	10	(For 40'-20" & 44'-22")
				(For 40'-30" - Folding Toolbar)
				(For 40'-30" - Rigid Toolbar)
14	9000104	Cable Tie, 21 1/2"	10	
15	9000107	Cable Tie, 14 1/2"	10	
16	9003848	Velcro Hose Wrap, 2"	12	
17A	9003849	Velcro Hose Wrap, 3"	25	(For 20" & 22")
17B	9003805	Velcro Hose Wrap, 4"	20	(For 30")
18	9005639	Flange Nut, 5/16-18 THD	11	

(Continued on next page)

1800 & 2600 NutriMax Liquid Applicator — Parts

Flow Ball Components — For 40' Toolbars

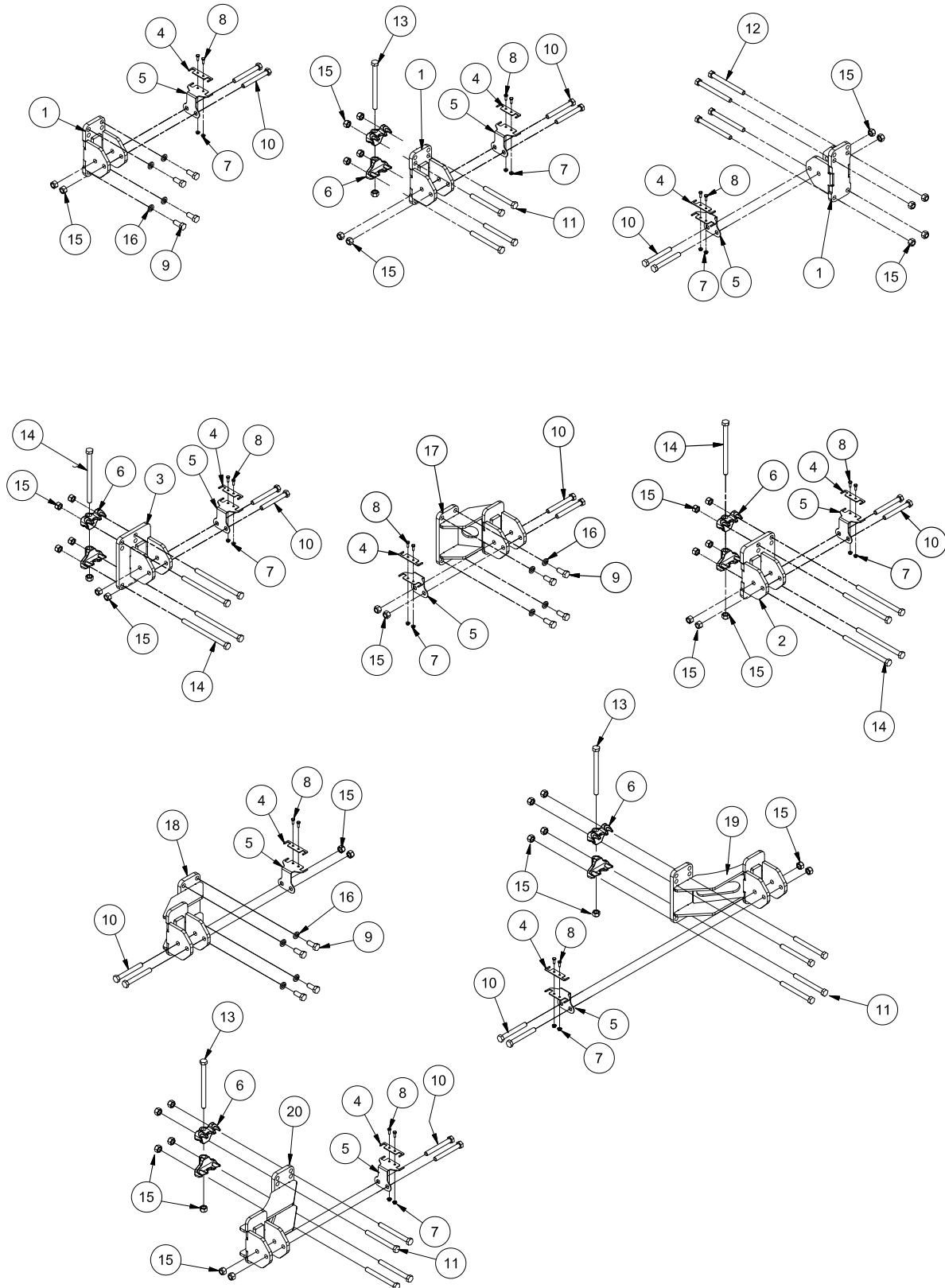
Please visit www.unverferth.com/parts/ for the most current parts listing.

ITEM	PART NUMBER	DESCRIPTION	QTY.	NOTES
19	9005640	Flange Nut, 3/8-16 THD	2	
20	9006213	Metal Cable Clamp, 2 x 3/4" Wide	3	(For 20" & 22")
			6	(For 30")
21	9007320	Metal Cable Clamp, 3 x 3/4" Wide	8	(For 20" & 22")
	9007556	Metal Cable Clamp, 1 1/8 x 3/4" Wide	5	(For 30")
22	9007772	Hose Sleeve Marker for Half Rate Nozzle	2	(For 20" & 22")
			4	(For 30")
23	900900-028	Capscrew, 5/16-18UNC x 3/4 (SS)	11	
24	900900-055	Capscrew, 3/8-16UNC x 1 (SS)	4	
25	900906-006	Center Lock Hex Nut, 3/8-16UNC (SS)	2	
26	TA800902	Hose Clamp, M-6 (SS)	50	(For 20" & 22")
			38	(For 30")
			34	
27	TA800910	Hose Clamp, 1/2 SAE	10	
28	TA806200	Rubber Hose, EPDM 3/8"	40'	(For 20") per Nozzle
			37 1/2'	(For 22") per Nozzle
			37'	(For 30") per Nozzle
29	TA806250	Hose, 3/4 Dia. x 12 EPDM	16	
30	TA880149	Sprayer Boom Nozzle Body - Single	25	(For 20" & 22")
			19	(For 30" - Folding Toolbar)
			17	(For 30" - Rigid Toolbar)
31	9007657	Chemsaver Valve	2	
32	9007778	Tee Indicator Fitting	A/R	

1800 & 2600 NutriMax Liquid Applicator — Parts

Coulter Mounting Components — For 40' Toolbars

Please visit www.unverferth.com/parts/ for the most current parts listing.



1800 & 2600 NutriMax Liquid Applicator — Parts

Coulter Mounting Components — For 40' Toolbars

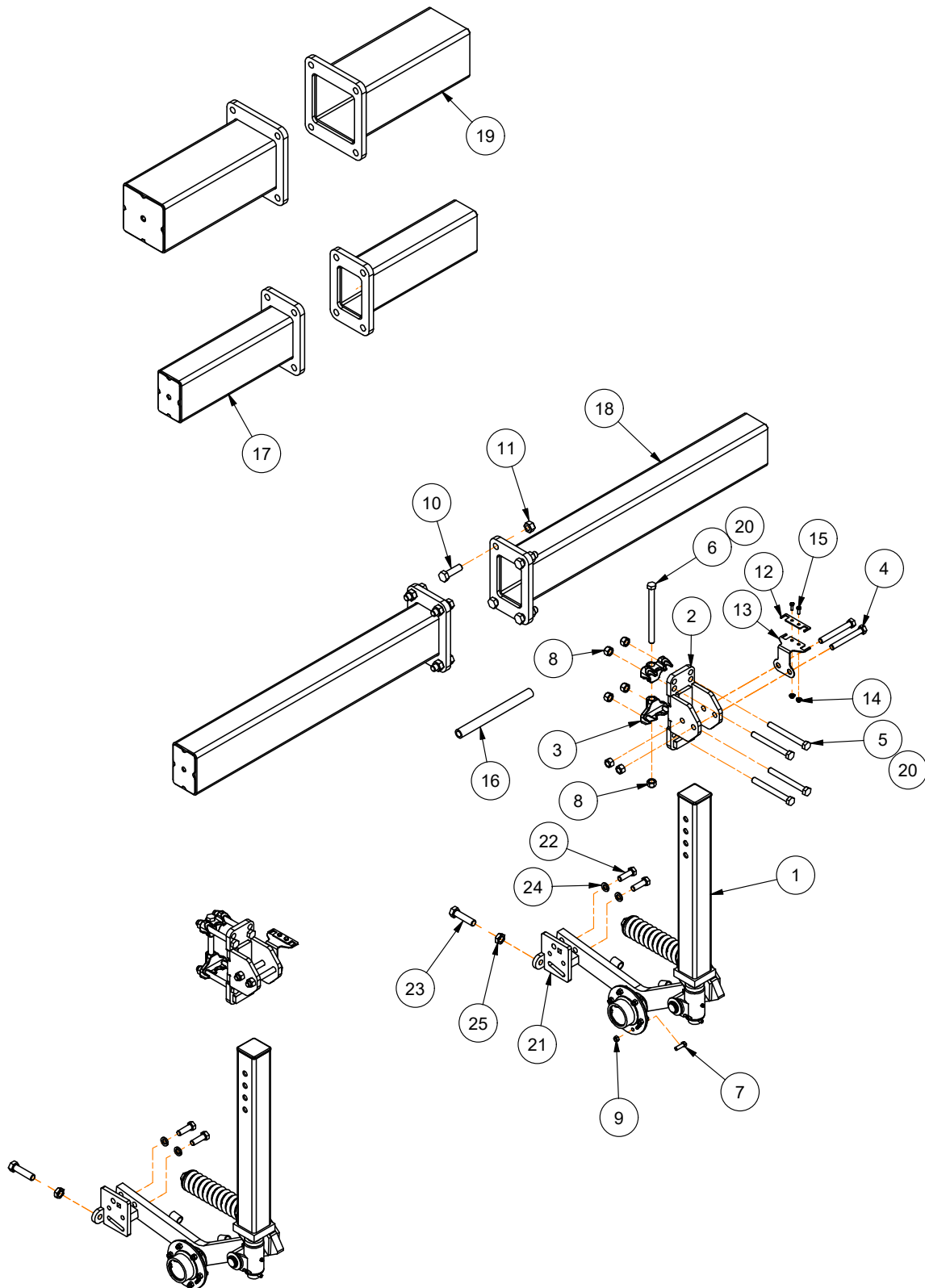
Please visit www.unverferth.com/parts/ for the most current parts listing.

ITEM	PART NUMBER	DESCRIPTION	RIGID 40' TOOLBAR	FOLDING 40' TOOLBAR					FOLDING 44' TOOLBAR
			QTY BY SPACING						
			30" SINGLE POSTS	20" SINGLE POSTS	30" SINGLE POSTS	36" SINGLE POSTS	38" SINGLE POSTS	30" DOUBLE POSTS	22" SINGLE POSTS
1	414887B	Coulter Mount Weldment =Black=	13	21	13	11	9	15	21
2	414898B	Coulter Mount Weldment Offset Right-Hand =BLACK=	-	-	-	-	-	-	1
3	414899B	Coulter Mount Weldment Offset Left-Hand =BLACK=	-	-	-	-	-	-	1
4	411916B	Nozzle Retainer Plate =Black=	15	23	15	13	13	17	23
5	411917B	Nozzle Mount Plate =Black=	15	23	15	13	13	17	23
6	67922B	Extension Clamp =Black=	26	38	22	18	26	26	38
7	9004720	Serrated Flange Nut 1/4"-20UNC	30	46	30	26	26	34	46
8	900900-003	Capscrew 1/4"-20UNC 3/4" (Stainless Steel)	30	46	30	26	26	34	46
9	9501438-122	Capscrew 5/8-11UNC x 1 1/2 (Black)	8	8	8	8	-	8	8
10	9501438-134	Capscrew 5/8-11UNC x 5 (Black)	30	46	30	26	26	34	46
11	9501438-136	Capscrew 5/8-11UNC x 6 (Black)	-	16	8	8	16	16	24
12	9501438-137	Capscrew 5/8-11UNC x 6 1/2 (Black)	-	8	8	8	-	8	8
13	9501438-140	Capscrew 5/8-11UNC x 8 (Black)	-	4	2	2	4	4	6
14	9501438-442	Capscrew 5/8-11UNC x 9 (Black)	65	75	45	35	45	45	65
15	9501439-036	Locknut 5/8-11UNC (Black)	95	149	93	79	91	107	149
16	9501440-029	Lock Washer 5/8" (Black)	8	8	8	8	-	8	8
17	414894B	Coulter Mount Weldment Offset Left-Hand =BLACK=	1	1	1	1	1	1	-
18	414895B	Coulter Mount Weldment Offset Right-Hand =BLACK=	1	1	1	1	1	1	-
19	414896B	Coulter Mount Weldment Offset Left-Hand =BLACK=	-	-	-	-	1	-	-
20	414897B	Coulter Mount Weldment Offset Right-Hand =BLACK=	-	-	-	-	1	-	-

1800 & 2600 NutriMax Liquid Applicator — Parts

Add-On Coulter Packages — For 40' Toolbars

Please visit www.unverferth.com/parts/ for the most current parts listing.



1800 & 2600 NutriMax Liquid Applicator — Parts

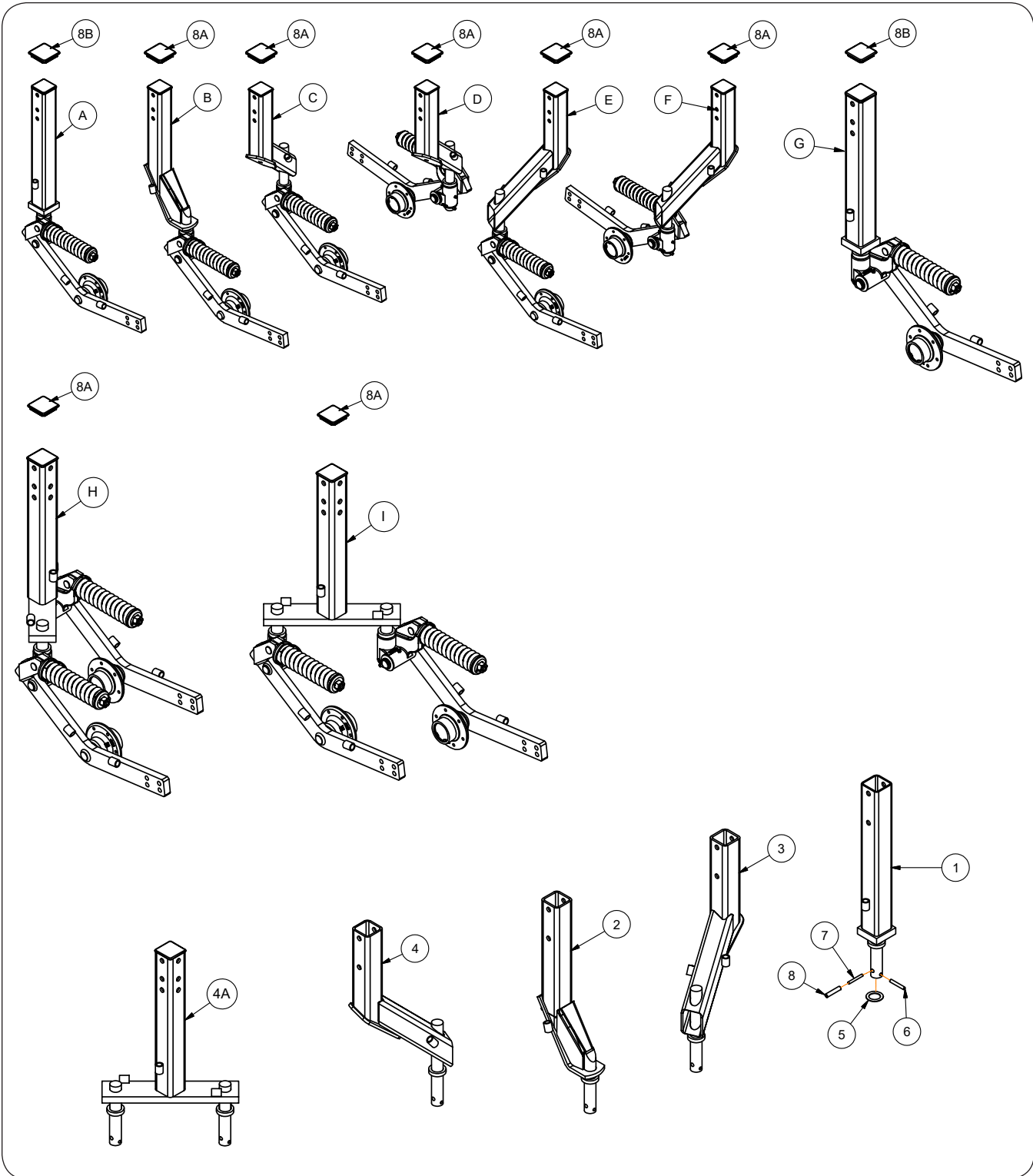
Add-On Coultter Packages — For 40' Toolbars

Please visit www.unverferth.com/parts/ for the most current parts listing.

ITEM	PART NUMBER	DESCRIPTION	QTY.			NOTES
			RIGID 40' Toolbar	FOLDING 40' Toolbar	FOLDING 44' Toolbar	
	411892G	Add-On Coultter Package (2 Coultters For 20" & 30" Rows) =GREEN=	-	1	-	Includes Items 1 through 17 21 through 25
	411892R	Add-On Coultter Package (2 Coultters For 20" & 30" Rows) =RED=				
	412983G	Add-On Coultter Package (2 Coultters For 30" Rows) =GREEN=	1	-	-	Includes Items 1 through 4, 7 through 16, & 19 through 25
	412983R	Add-On Coultter Package (2 Coultters For 30" Rows) =RED=				
	412338G	Add-On Coultter Package (2 Coultters For 22" Rows) =GREEN=	-	-	1	Includes Items 1 through 16, 18, & 21 through 25
	412338R	Add-On Coultter Package (2 Coultters For 22" Rows) =RED=				
1	415752B	Coultter Post Assembly (Straight Post) =BLACK=	2	2	2	
2	414887B	Coultter Mount Weldment =BLACK=	2	2	2	
3	67922B	Extension Clamp =BLACK=	4	4	4	
4	9501438-134	Capscrew 5/8-11UNC x 5 =BLACK= Gr.5	4	4	4	
5	9501438-136	Capscrew 5/8-11UNC x 6 =BLACK= Gr.5	-	8	8	
6	9501438-140	Capscrew 5/8-11UNC x 8 =BLACK= Gr.5	-	2	2	
7	9501438-056	Capscrew 3/8-16UNC x 1 1/4 Gr.5	12	12	12	
8	9501439-036	Locknut 5/8-11UNC =BLACK=	14	14	14	
9	9501439-032	Locknut 3/8-16UNC	12	12	12	
10	9390-147	Capscrew 3/4"-10UNC x 2 1/2" Gr.5	8	8	8	
11	96732	Locknut 3/4-10UNC	8	8	8	
12	411916B	Nozzle Retainer Plate =BLACK=	2	2	2	
13	411917B	Nozzle Mount Plate =BLACK=	2	2	2	
14	9004720	Flange Nut 1/4"-20UNC (Stainless Steel)	4	4	4	
15	900900-003	Capscrew 1/4"-20UNC x 3/4" (Stainless Steel)	4	4	4	
16	TA806250	EPDM Hose 3/4" Dia. x 12"	6 Ft.	6 Ft.	6 Ft.	
17	411582G	Extension Weldment =GREEN=	-	2	-	
	411582R	Extension Weldment =RED=				
18	412339G	Extension Weldment =GREEN=	-	-	2	
	412339R	Extension Weldment =RED=				
19	412984G	Extension Weldment =GREEN=	2	-	-	
	412984R	Extension Weldment =RED=				
20	9501438-442	Capscrew 5/8"-11UNC x 9" Gr.5	10	-	-	
21	68704B	Adjustment Plate Weldment =BLACK=	2	2	2	
22	9501438-124	Capscrew 5/8"-11UNC x 2" Gr.5 (BLACK)	4	4	4	
23	9501438-149	Capscrew 3/4"-10UNC x 3" Gr.5 (BLACK)	1	1	1	
24	9501440-029	Lock Washer 5/8" (BLACK)	4	4	4	
25	9501444-037	Jam Nut 3/4"-10UNC G5 (BLACK)	2	2	2	

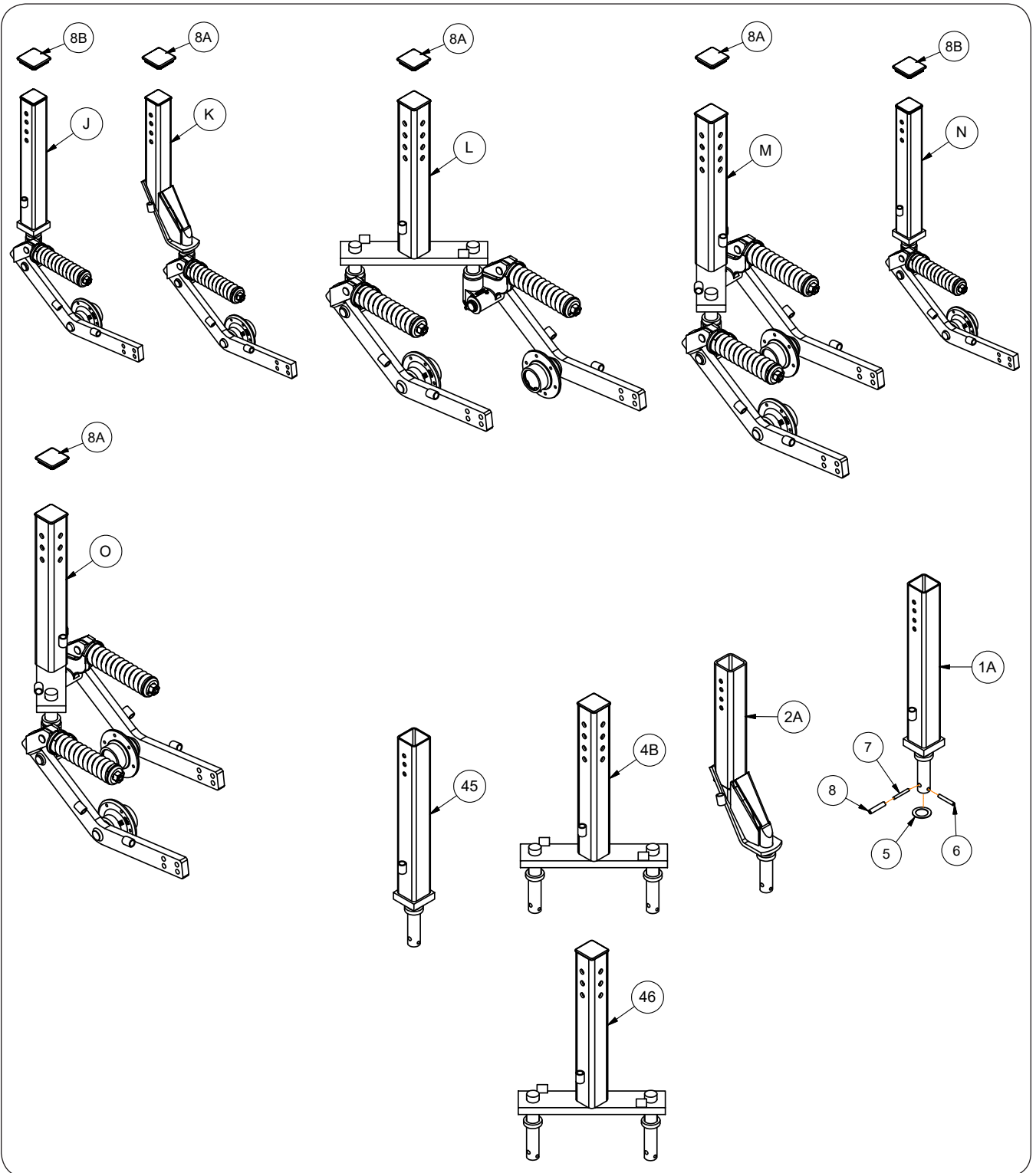
Coulter Assemblies & Components

Please visit www.unverferth.com/parts/ for the most current parts listing.



Coulter Assemblies & Components

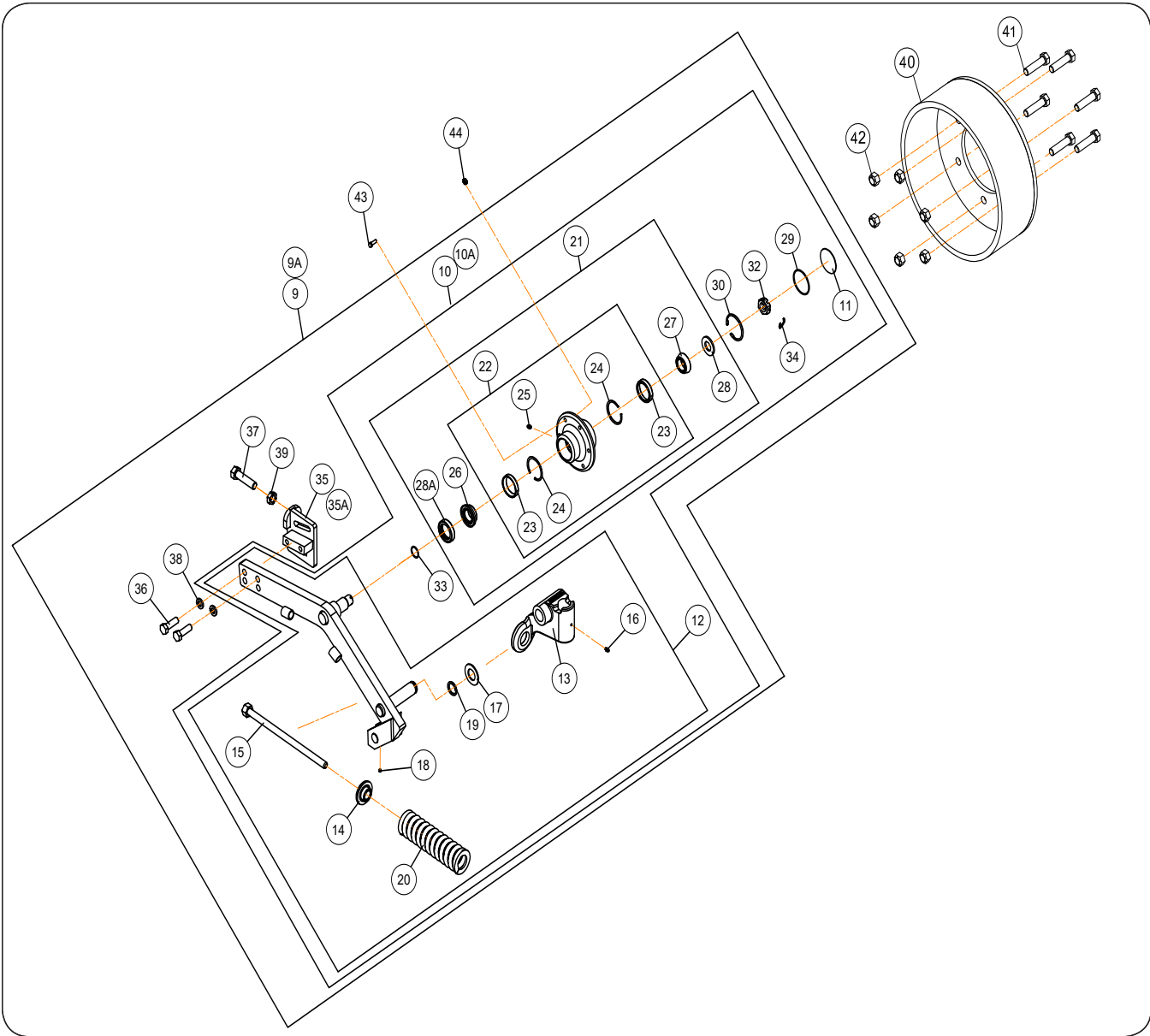
Please visit www.unverferth.com/parts/ for the most current parts listing.



(Continued on next page)

Coulter Assemblies & Components (continued)

Please visit www.unverferth.com/parts/ for the most current parts listing.



1800 & 2600 NutriMax Liquid Applicator — Parts

Coulter Assemblies & Components (continued)

Please visit www.unverferth.com/parts/ for the most current parts listing.

ITEM	PART NUMBER	DESCRIPTION	QTY	NOTES
A	414191B	Coulter Post Vertical Assembly Straight Post w/Mount Plate (No Bracket) =Black=	-	Includes Items 1, 5 through 9, 43, 44
B	414193B	Coulter Post Offset Assembly w/Mount Plate (No Bracket) =Black=	-	Includes Items 3, 5 through 9, 43, 44
C	414194B	Coulter Post Double Offset Left-Hand, Front Assembly =Black=	-	Includes Items 4, 5 through 9, 43, 44
D	414195B	Coulter Post Double Offset Left-Hand, Rear Assembly =Black=	-	Includes Items 3, 5 through 9, 43, 44
E	414196B	Coulter Post Double Offset Right-Hand, Front Assembly =Black=	-	Includes Items 3, 5 through 9, 43, 44
F	414197B	Coulter Post Double Offset Right-Hand, Rear Assembly =Black=	-	Includes Items 4 through 9, 43, 44
G	414192B	Straight Coulter Post Assembly, Right-Hand =Black=	-	Includes Items 1, 5 through 9A, 43, 44
H	414198B	Double Coulter Right-Hand Forward Assembly w/Mount Plate (No Bracket)	-	Includes Items 4A through 9, 9A, 43, 44
I	414199B	Double Coulter LH Forward Assembly w/Mount Plate (No Bracket) =Black=	-	Includes Items 4A through 9, 9A, 43, 44
J	415742B	Coulter Post Vertical Assembly Straight Post w/Mount Plate (No Bracket) =Black=	-	For 40' Toolbar Includes Items 1A, 5 through 9, 43, 44
K	415745B	Coulter Post Offset Assembly w/Mount Plate (No Bracket) =Black=	-	For 40' Toolbar Includes Items 2A, 5 through 9, 43, 44
L	415750B	Double Coulter LH Forward Assembly w/Mount Plate (No Bracket) =Black=	-	For 40' Toolbar Includes Items 4B, 5 through 9, 43, 44
M	415751B	Double Coulter Right-Hand Forward Assembly w/Mount Plate (No Bracket)	-	For 40' Toolbar Includes Items 4B, 5 through 9, 43, 44
N	415744B	Center Coulter Post Vertical Assembly Straight Post w/Mount Plate (No Bracket) =Black=	-	For 40' Toolbar Includes Items 5 through 9, 43, 44, 45
O	415762B	Center Double Coulter Right-Hand Forward Assembly w/Mount Plate (No Bracket)	-	For 40' Toolbar Includes Items 5 through 9, 43, 44, 46
1	68289B	Coulter Post Vertical Weldment (Straight Post) =Black=	1	
1A	415736B			For 40' Toolbar
2	68290B	Coulter Post Offset Weldment =Black=	1	
2A	415738B			For 40' Toolbar
3	410834B	Coulter Post Weldment Left-Hand =Black=	1	
4	410835B	Coulter Post Weldment Right-Hand =Black=	1	
4A	69238B	Double Coulter Post Weldment =Black=	1	
4B	415741B			For 40' Toolbar
5	9501463	Washer 1 1/2" Dia.	2	
6	9501442-209	Spiral Pin 3/8" Dia. x 2 1/2 (Black)	2	
7	9501442-188	Spiral Pin 5/16" Dia. x 2 1/2 (Black)	2	
8	9501441-210	Roll Pin 1/2" Dia. x 2 1/2 (Black)	2	
8A	9007725	Square Plug, 3 x 3	A/R	Offset, DBL Offset & DBL Coulter Post Only
8B	9008253			Straight Post Only

(Continued on next page)

1800 & 2600 NutriMax Liquid Applicator — Parts

Coulter Assemblies & Components (continued)

Please visit www.unverferth.com/parts/ for the most current parts listing.

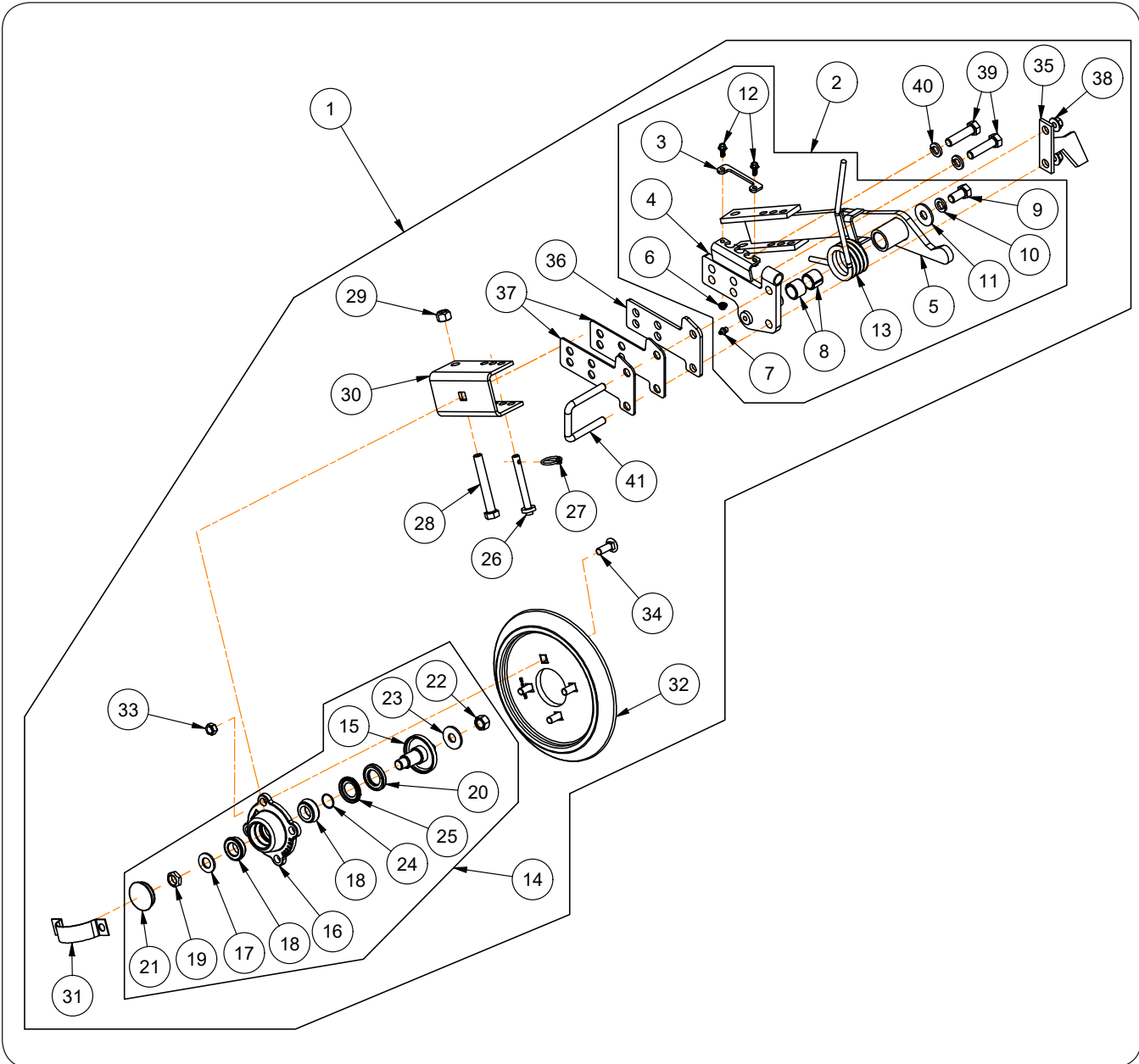
ITEM	PART NUMBER	DESCRIPTION	QTY	NOTES
9	68634B	Coulter Sub-Assembly w/Injector Left-Hand =Black=	1	
9A	41775B	Coulter Sub-Assembly w/Injector Right-Hand =Black=		
10	68635B	Combo Coulter Assembly Left-Hand (Black)	1	
10A	41776B	Combo Coulter Assembly Right-Hand (Black)		
11	60735B	Hub Cap for 6 Bolt Hub Assembly	1	
12	68636B	Coulter Arm & Spring Assembly =Black=	1	
13	68280B	Swivel Bracket Left-Hand =Black=	1	
14	82826B	Spring Washer =Black=	1	
15	83371B	Spring Rod Weldment =Black=	1	
16	9501603	Grease Zerk	2	
17	92528B	Bushing, 2 1/4D x 1 1/4D =Black=	1	
18	9399-057	Set Screw, 1/4-20UNC x 1/4	1	
19	94144	Retaining Ring, 1 1/4D	1	
20	94756B	Compression Spring, 2 5/8D x 10 5/8	1	
21	68656B	Hub Assembly, 6 Bolt	1	
22	68655B	Hub Assembly, 6 Bolt =Black=	1	
23	9345	Bearing Cup	2	
24	94796	Retaining Ring, 2 1/2D	2	
25	9501603	Grease Zerk, 1/4-28 SS	1	
26	901145	Bearing & Seal, 1pc Assembly	1	
27	9165	Bearing Cone	1	
28	94800	Bushing, 2D x 1.01D	1	
28A	93987	Seal, Triple Lip	1	
29	902158	O-Ring, 2 1/2"(NOM ID)	1	
30	93985	Retaining Ring, 2 9/16 DIA	1	
32	94795	Slotted Jam Nut, 1-14UNS Gr. 2	1	
33	95565	O-Ring, 1.049 ID	1	
34	97565	C-Ring, 1 3/4 Lg.	1	
35	68704B	Adjustment Plate Weldment Left-Hand =Black=	1	
35A	41784B	Adjustment Plate Weldment Right-Hand =Black=		
36	9501438-124	Capscrew, 5/8-11UNC x 2 Gr. 5 (Black)	4	
37	9501438-149	Capscrew, 3/4-10UNC x 3 Gr. 5 (Black)	2	
38	9501440-029	Lock Washer, 5/8 (Black)	4	
39	9501444-037	Hex Jam Nut, 3/4-10UNC Gr.5 (Black)	2	
40	412485B	Depth Wheel Assembly	2	
41	9390-057	Capscrew 3/8-16UNC x 1 1/2" Gr. 5	6	
42	9928	Locknut 3/8-16UNC	6	
43	9501438-056	Capscrew, 3/8-16UNC x 1 1/4" Gr. 5 (Black)	6	
44	9501439-032	Locknut 3/8-16UNC (Black)	6	
45	415737B	Center Coulter Post Vertical Weldment (Straight Post) =Black=	1	For 40' Toolbar
46	415761B	Center Double Coulter Post Weldment =Black=	1	

Notes

Please visit www.unverferth.com/parts/ for the most current parts listing.

Closer Wheel Assembly & Components (Optional)

Please visit www.unverferth.com/parts/ for the most current parts listing.



1800 & 2600 NutriMax Liquid Applicator — Parts

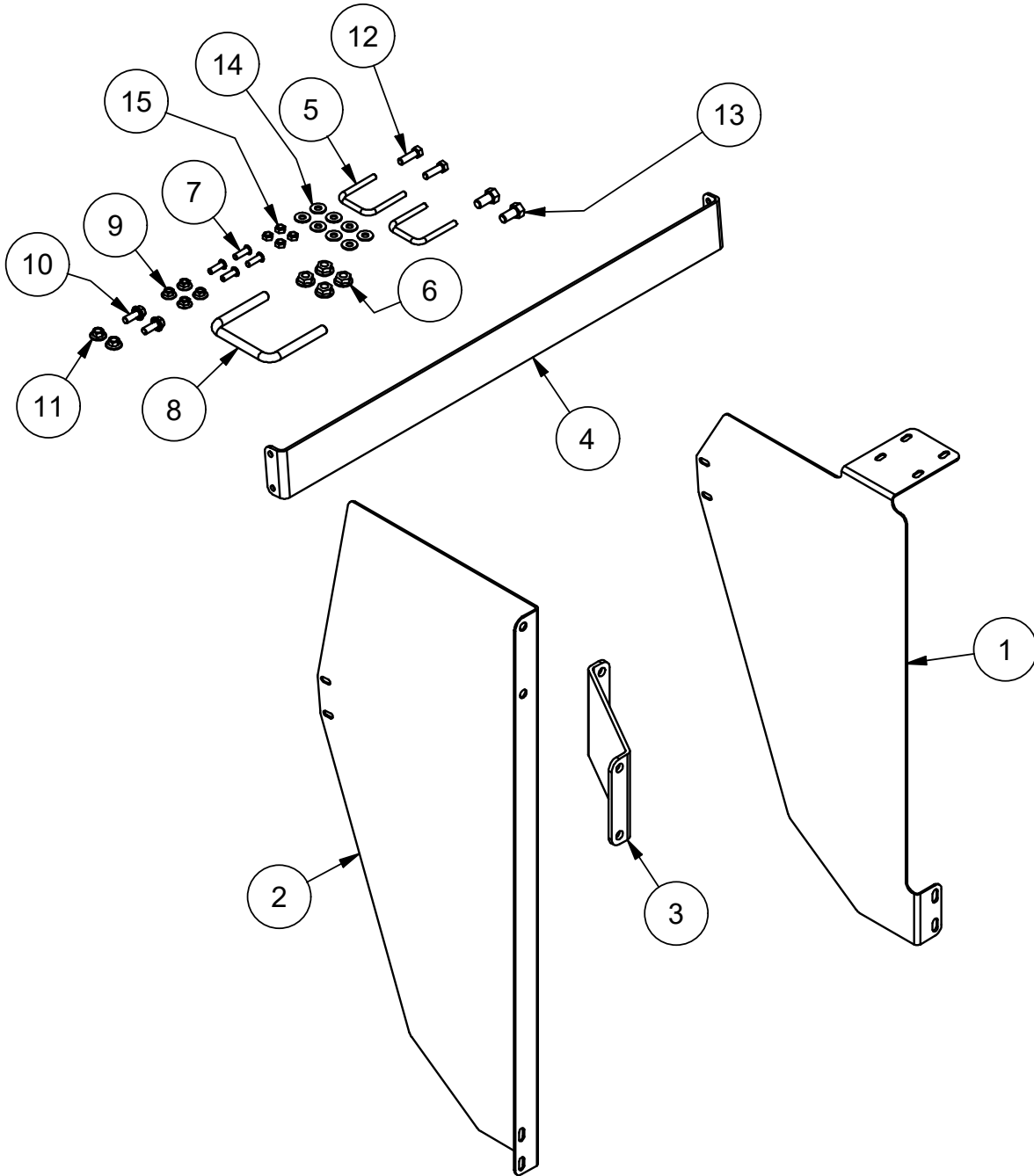
Closer Wheel Assembly & Components (Optional)

Please visit www.unverferth.com/parts/ for the most current parts listing.

ITEM	PART NUMBER	DESCRIPTION	QTY	NOTES
1	69386B	Closer Wheel Assembly =Black=	1	Includes All Items
2	69217B	Closer Clearance Assembly =Black=	1	Includes Items 3 - 13
3	415157B	Spring Retainer Plate =Black=	1	
4	69144B	Closing Wheel Mounting Bracket Weldment =Black=	1	
5	69218B	Closing Wheel Arm Weldment =Black=	1	
6	9004720	Serrated Flange Nut 1/4-20UNC (SS)	2	
7	9007654	Grease Zerk	1	
8	91268	Tension Bushing	2	
9	9501438-121	Capscrew 5/8-11UNC x 1 1/4 Gr. 5	1	
10	9501440-029	Lock Washer 5/8	1	
11	9501606-065	Flat Washer 5/8	1	
12	9501948-021	Serrated Flange Screw 1/4-20UNC x 3/4 (SS)	2	
13	9501989	Torsion Spring	1	
14	69161B	Closer Wheel Hub & Spindle Assembly =Black=	1	Includes Items 15 - 25
15	68284	Spindle & Seal Cover Assembly	1	
16	68318B	Coulter Hub Casting =Black=	1	Includes Grease Zerk
17	902645-104	Flat Washer 3/4 SAE Gr. 8	1	
18	92523	Bearing Cone	2	
19	9397-016	Jam Nut	1	
20	9501380	Oil Seal	1	
21	9501381	Hub Cap	1	
22	9501439-007	Lock Nut 5/8-18UNF	1	
23	9501606-065	Flat Washer 5/8	1	
24	95595	O-Ring 1" Dia.	1	
25	95680	3 Lip Seal	1	
26	415156	Closer Wheel Retainer Pin Weldment	1	
27	9093	Kilk Pin	1	
28	9501438-133	Capscrew 5/8-11UNC x 4 1/2 Gr. 5	1	
29	9501439-036	Lock Nut 5/8-11UNC	1	
30	69152B	Adjustable Hub Mount =Black=	1	
31	68315	Hub Strap	1	
32	69142B	Closer Wheel Casting =Black=	1	
33	9501443-034	Lock Nut 1/2-13UNC	4	
34	9501993-104	Carriage Bolt 1/2-13UNC x 1 1/2 Gr. 5	4	
35	69783B	Stop Weldment =Black=	1	
36	69799B	Closer Shim 1/4" Thick	1	
37	69800B	Closer Shim 10GA	2	
38	9007642	Locking Flange Nut 1/2-13UNC	2	
39	9501438-126	Capscrew 5/8-11UNC x 2 1/2 Gr. 5	2	
40	9501440-029	Lock Washer 5/8	2	
41	9812	U-Bolt	1	

Closer Wheel Tank Guard Components (Optional)

Please visit www.unverferth.com/parts/ for the most current parts listing.



Closer Wheel Tank Guard Components (Optional)

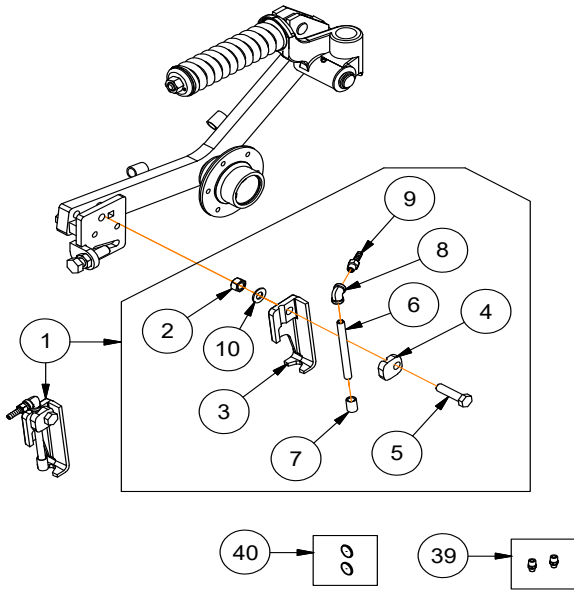
Please visit www.unverferth.com/parts/ for the most current parts listing.

ITEM	PART NUMBER	DESCRIPTION	QTY	NOTES
	415410G	Closer Wheel Tank Guard Kit (Green)	1	Includes All Items and Instruction Sheet
	415410R	Closer Wheel Tank Guard Kit (Red)		
1	415412G	Tank Guard LH =Green=	1	
	415412R	Tank Guard LH =Red=		
2	415413G	Tank Guard RH =Green=	1	
	415413R	Tank Guard RH =Red=		
3	415414G	Tank Guard Bracket =Green=	1	
	415414R	Tank Guard Bracket =Red=		
4	415415G	Brace Plate =Green=	1	
	415415R	Brace Plate =Red=		
5	9002713	U-Bolt	2	
6	9003397	Locking Flange Nut 1/2-13UNC Grade F	4	
7	901563	Button Head Screw 5/16-18UNC x 1	4	
8	901897	U-Bolt 1/2-13UNC x 4 1/8 x 4 5/8 CC Grade 5	1	
9	91257	Lrg. Flange Hex Nut 5/16-18UNC Grade 5	4	
10	91262	Flange Screw 3/8-16UNC x 1 Grade 5	2	
11	91263	Lrg. Flange Nut 5/16-18UNC Grade 5	2	
12	9390-056	Capscrew 3/8-16UNC x 1 1/4 Grade 5	2	
13	9390-099	Capscrew 1/2-13UNC x 1 Grade 5	2	
14	9405-070	Flat Washer 5/16	8	
15	9807	Locknut 5/16-18UNC	4	

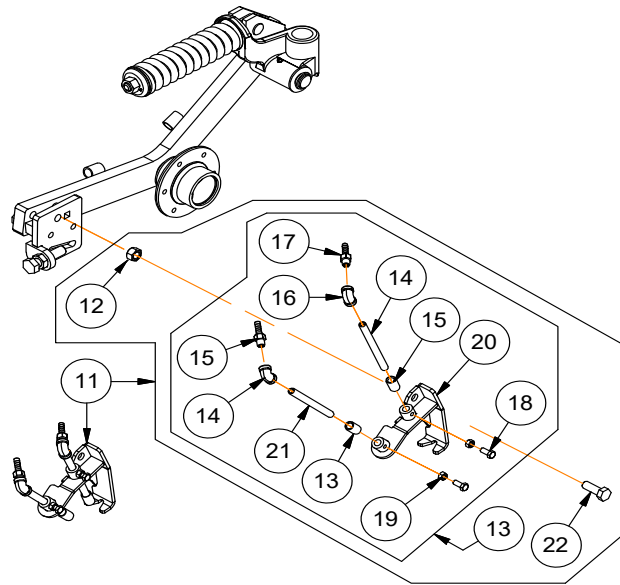
Injector Nozzles and Injector Knives

Please visit www.unverferth.com/parts/ for the most current parts listing.

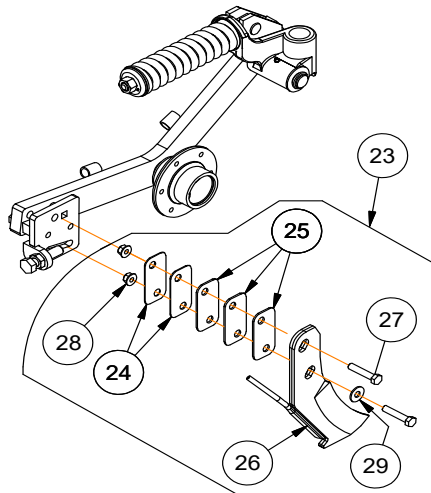
Single Injector Nozzle



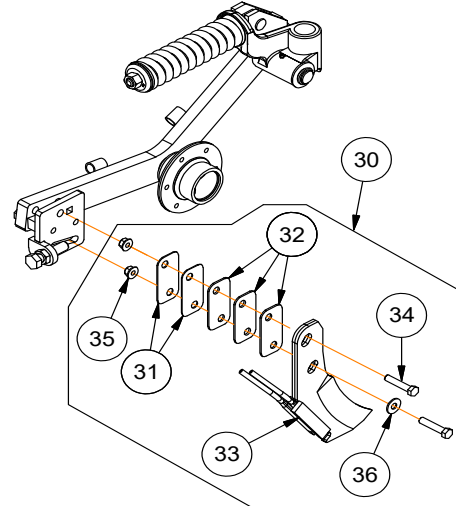
Dual Injector Nozzle



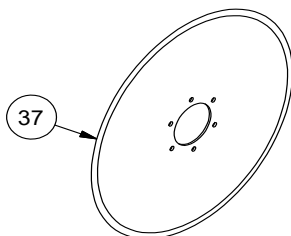
Single Injector Knife



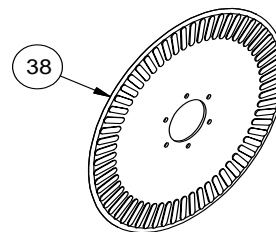
Dual Injector Knife



Smooth Blade



Ripple Blade



Injector Nozzles and Injector Knives

Please visit www.unverferth.com/parts/ for the most current parts listing.

ITEM	PART NUMBER	DESCRIPTION	QTY.	NOTES
1	412080B	Single Nozzle Injector Assembly	-	
2	9501439-036	Locknut 5/8-11UNC	1	
3	68175B	Injector Guard	1	
4	68169B	Clamp	1	
5	9501438-126	Capscrew 5/8-11UNC x 2 1/2	1	
6	9501131	Pipe Nipple 1/4-18NPT	1	
7	93941	Pipe Coupling 1/4-14NPTF Female x 1 1/8"	1	
8	9007369	90° Elbow 1/4-18NPTF Female x 1/4-18NPT Female	1	
9	9007370	Hose Shank 1/4-18NPT Male x 3/8 Hose Barb	1	
10	900902-049	Flat Washer 5/8" SAE	1	Stainless Steel
11	412079B	Double Nozzle Injector Assembly	-	
12	9501439-036	Locknut 5/8-11UNC	1	
13	410913	Dual Nozzle Injector Assembly	1	
14	9501131	Pipe Nipple 1/4-18NPT	1	
15	93941	Pipe Coupling 1/4-14NPTF Female x 1 1/8"	2	
16	9007369	90° Elbow 1/4-18NPTF Female x 1/4-18NPT Female	2	
17	9007370	Hose Shank 1/4-18NPT Male x 3/8 Hose Barb	2	
18	900900-054	Capscrew 3/8-16UNC x 7/8 (Stainless Steel)	2	
19	900901-006	Hex Nut 3/8-16UNC (Stainless Steel)	2	
20	410911B	Double Nozzle Weldment	1	
21	9007631	Pipe Nipple 1/4-18NPT	1	
22	9501438-123	Capscrew 5/8-11UNC x 1 3/4	1	
23	412078	Injector Knife/Single Assembly	-	
24	67928	Shim 14 Ga.	2	
25	67929	Shim 10 Ga.	3	
26	67923	Injector Knife/Fertilizer Shank w/ 3/8" Dia. Tube	1	
27	9501438-105	Capscrew 1/2"-13UNC x 2 1/2" (Black)	2	
28	9007642	Locking Flange Nut 1/2"-13UNC	2	
29	900902-044	Flat Washer 1/2" USS	1	Stainless Steel
30	412077	Injector Knife/Double Assembly	-	
31	67928	Shim 14 Ga.	2	
32	67929	Shim 10 Ga.	3	
33	9007544	Injector Knife/Fertilizer Shank w/ two 3/8" Dia. Tube	1	
34	9501438-105	Capscrew 1/2"-13UNC x 2 1/2" (Black)	2	
35	9007642	Locking Flange Nut 1/2"-13UNC	2	
36	900902-044	Flat Washer 1/2" USS	1	Stainless Steel
37	99986	Smooth Coulter Blade 20 7/16" Dia.	1	
38	93934	Ripple Coulter Blade 20" Dia.	1	

(Continued on next page)

1800 & 2600 NutriMax Liquid Applicator — Parts

Injector Nozzles and Injector Knives (continued)

Please visit www.unverferth.com/parts/ for the most current parts listing.

ITEM	PART NUMBER	DESCRIPTION	QTY BY SPACING			NOTES NUMBER OF COULTERS PER TOOLBAR
			RIGID TOOLBAR	FOLDING TOOLBAR		
			40' BOOM	40' BOOM	40' & 44' BOOM	
			30"	30"	20"/22"	
39	414000	Nozzle Kit - #0004, 40' Rigid Toolbar - 30" Spacing	1	-	-	
	412222	Nozzle Kit - #0004, 40'/44' Toolbar - 20"/22" Spacing	-	-	1	23 / 25 Coulters
	412238	Nozzle Kit - #0004, 40' Toolbar - 30" Spacing	-	1	-	15 / 17 Coulters
	9007403	Nozzle Tip - #0002 Stainless Steel, 1/4-18NPT	-	4	2	
	TA852145	Nozzle Tip - #0004 Stainless Steel, 1/4-18NPT	15	15	23	
	414001	Nozzle Kit - #0006, 40' Rigid Toolbar - 30" Spacing	1	-	-	
	412223	Nozzle Kit - #0006, 40'/44' Toolbar - 20"/22" Spacing	-	-	1	23 / 25 Coulters
	412239	Nozzle Kit - #0006, 40' Toolbar - 30" Spacing	-	1	-	15 / 17 Coulters
	93959	Nozzle Tip - #0003 Stainless Steel, 1/4-18NPT	-	4	2	
	9007404	Nozzle Tip - #0006 Stainless Steel, 1/4-18NPT	15	15	23	
	414002	Nozzle Kit - #0008, 40' Rigid Toolbar - 30" Spacing	1	-	-	
	412224	Nozzle Kit - #0008, 40'/44' Toolbar - 20"/22" Spacing	-	-	1	23 / 25 Coulters
	412240	Nozzle Kit - #0008, 40' Toolbar - 30" Spacing	-	1	-	15 / 17 Coulters
	TA852145	Nozzle Tip - #0004 Stainless Steel, 1/4-18NPT	-	4	2	
	9007405	Nozzle Tip - #0008 Stainless Steel, 1/4-18NPT	15	15	23	
	414003	Nozzle Kit - #0010, 40' Rigid Toolbar - 30" Spacing	1	-	-	
	412225	Nozzle Kit - #0010, 40'/44' Toolbar - 20"/22" Spacing	-	-	1	23 / 25 Coulters
	412241	Nozzle Kit - #0010, 40' Toolbar - 30" Spacing	-	1	-	15 / 17 Coulters
	93960	Nozzle Tip - #0005 Stainless Steel, 1/4-18NPT	-	4	2	
	93961	Nozzle Tip - #0010 Stainless Steel, 1/4-18NPT	15	15	23	
	414004	Nozzle Kit - #0015, 40' Rigid Toolbar - 30" Spacing	1	-	-	
	412226	Nozzle Kit - #0015, 40'/44' Toolbar - 20"/22" Spacing	-	-	1	23 / 25 Coulters
	412242	Nozzle Kit - #0015, 40' Toolbar - 30" Spacing	-	1	-	15 / 17 Coulters
	9007405	Nozzle Tip - #0008 Stainless Steel, 1/4-18NPT	-	4	2	
	93962	Nozzle Tip - #0015 Stainless Steel, 1/4-18NPT	15	15	23	

(Continued on next page)

Injector Nozzles and Injector Knives (continued)

Please visit www.unverferth.com/parts/ for the most current parts listing.

ITEM	PART NUMBER	DESCRIPTION	QTY BY SPACING			NOTES NUMBER OF COULTERS PER TOOLBAR
			RIGID TOOLBAR	FOLDING TOOLBAR		
			40' BOOM	40' BOOM	40' & 44' BOOM	
			30"	30"	20"/22"	
39	414005	Nozzle Kit - #0020, 40' Rigid Toolbar - 30" Spacing	1	-	-	
	412227	Nozzle Kit - #0020, 40'/44' Toolbar - 20"/22" Spacing	-	-	1	23 / 25 Coulters
	412243	Nozzle Kit - #0020, 40' Toolbar - 30" Spacing	-	1	-	15 / 17 Coulters
	93961	Nozzle Tip - #0010 Stainless Steel, 1/4-18NPT	-	4	2	
	93963	Nozzle Tip - #0020 Stainless Steel, 1/4-18NPT	15	15	23	
	414006	Nozzle Kit - #0030, 40' Rigid Toolbar - 30" Spacing	1	-	-	
	412228	Nozzle Kit - #0030, 40'/44' Toolbar - 20"/22" Spacing	-	-	1	23 / 25 Coulters
	412244	Nozzle Kit - #0030, 40' Toolbar - 30" Spacing	-	1	-	15 / 17 Coulters
	93962	Nozzle Tip - #0015 Stainless Steel, 1/4-18NPT	-	4	2	
	93964	Nozzle Tip - #0030 Stainless Steel, 1/4-18NPT	15	15	23	
	414007	Nozzle Kit - #0040, 40' Rigid Toolbar - 30" Spacing	1	-	-	
	412229	Nozzle Kit - #0040, 40'/44' Toolbar - 20"/22" Spacing	-	-	1	23 / 25 Coulters
	412245	Nozzle Kit - #0040, 40' Toolbar - 30" Spacing	-	1	-	15 / 17 Coulters
	93963	Nozzle Tip - #0020 Stainless Steel, 1/4-18NPT	-	4	2	
	93965	Nozzle Tip - #0040 Stainless Steel, 1/4-18NPT	15	15	23	

(Continued on next page)

Injector Nozzles and Injector Knives

Please visit www.unverferth.com/parts/ for the most current parts listing.

ITEM	PART NUMBER	DESCRIPTION	QTY BY SPACING		NOTES
			60' & 66' TOOLBAR	60' TOOLBAR	
			20"/22"	30"	
39	412100	Nozzle Kit - #0004, 60' Toolbar - 20"/22" Spacing	1	-	35 / 37 Coulters per Toolbar
	412108	Nozzle Kit - #0004, 60' Toolbar - 30" Spacing	-	1	23 / 25 Coulters per Toolbar
	9007403	Nozzle Tip - #0002 Stainless Steel, 1/4-18NPT	6	6	
	TA852145	Nozzle Tip - #0004 Stainless Steel, 1/4-18NPT	33	21	
	412101	Nozzle Kit - #0006, 60' Toolbar - 20"/22" Spacing	1	-	35 / 37 Coulters per Toolbar
	412109	Nozzle Kit - #0006, 60' Toolbar - 30" Spacing	-	1	23 / 25 Coulters per Toolbar
	93959	Nozzle Tip - #0003 Stainless Steel, 1/4-18NPT	6	6	
	9007404	Nozzle Tip - #0006 Stainless Steel, 1/4-18NPT	33	21	
	412102	Nozzle Kit - #0008, 60' Toolbar - 20"/22" Spacing	1	-	35 / 37 Coulters per Toolbar
	412110	Nozzle Kit - #0008, 60' Toolbar - 30" Spacing	-	1	23 / 25 Coulters per Toolbar
	TA852145	Nozzle Tip - #0004 Stainless Steel, 1/4-18NPT	6	6	
	9007405	Nozzle Tip - #0008 Stainless Steel, 1/4-18NPT	33	21	
	412103	Nozzle Kit - #0010, 60' Toolbar - 20"/22" Spacing	1	-	35 / 37 Coulters per Toolbar
	412111	Nozzle Kit - #0010, 60' Toolbar - 30" Spacing	-	1	23 / 25 Coulters per Toolbar
	93960	Nozzle Tip - #0005 Stainless Steel, 1/4-18NPT	6	6	
	93961	Nozzle Tip - #0010 Stainless Steel, 1/4-18NPT	33	21	
	412104	Nozzle Kit - #0015, 60' Toolbar - 20"/22" Spacing	1	-	35 / 37 Coulters per Toolbar
	412112	Nozzle Kit - #0015, 60' Toolbar - 30" Spacing	-	1	23 / 25 Coulters per Toolbar
	9007405	Nozzle Tip - #0008 Stainless Steel, 1/4-18NPT	6	6	
	93962	Nozzle Tip - #0015 Stainless Steel, 1/4-18NPT	33	21	
	412105	Nozzle Kit - #0020, 60' Toolbar - 20"/22" Spacing	1	-	35 / 37 Coulters per Toolbar
	412113	Nozzle Kit - #0020, 60' Toolbar - 30" Spacing	-	1	23 / 25 Coulters per Toolbar
	93961	Nozzle Tip - #0010 Stainless Steel, 1/4-18NPT	6	6	
	93963	Nozzle Tip - #0020 Stainless Steel, 1/4-18NPT	33	21	
	412106	Nozzle Kit - #0030, 60' Toolbar - 20"/22" Spacing	1	-	35 / 37 Coulters per Toolbar
	412114	Nozzle Kit - #0030, 60' Toolbar - 30" Spacing	-	1	23 / 25 Coulters per Toolbar
	93962	Nozzle Tip - #0015 Stainless Steel, 1/4-18NPT	6	6	
	93964	Nozzle Tip - #0030 Stainless Steel, 1/4-18NPT	33	21	
	412107	Nozzle Kit - #0040, 60' Toolbar - 20"/22" Spacing	1	-	35 / 37 Coulters per Toolbar
	412115	Nozzle Kit - #0040, 60' Toolbar - 30" Spacing	-	1	23 / 25 Coulters per Toolbar
	93963	Nozzle Tip - #0020 Stainless Steel, 1/4-18NPT	6	6	
	93965	Nozzle Tip - #0040 Stainless Steel, 1/4-18NPT	33	21	

(Continued on next page)

Injector Nozzles and Injector Knives (continued)

Please visit www.unverferth.com/parts/ for the most current parts listing.

ITEM	PART NUMBER	DESCRIPTION	QTY BY SPACING					NOTES	
			80' TOOLBAR		88' TOOLBAR	90' TOOLBAR			
			20"	30"	22"	20"	30"		
39	412156	Nozzle Kit - #0004, 80' Toolbar - 30" Spacing	-	1	-	-	-	31 Coulters per Toolbar	
	412837	Nozzle Kit - #0004, 80' Toolbar - 30" Spacing	1	-	-	-	-	47 Coulters per Toolbar	
	412212	Nozzle Kit - #0004, 88' Toolbar - 22" Spacing	-	-	1	-	-	47 Coulters per Toolbar	
	412180	Nozzle Kit - #0004, 90' Toolbar - 20" Spacing	-	-	-	1	-	53 Coulters per Toolbar	
	412132	Nozzle Kit - #0004, 90' Toolbar - 30" Spacing	-	-	-	-	1	35 Coulters per Toolbar	
		9007403	Nozzle Tip - #0002 Stainless Steel, 1/4-18NPT	2	2	-	-	2	
		9007404	Nozzle Tip - #0006 Stainless Steel, 1/4-18NPT	2	2	2	2	2	
		TA852145	Nozzle Tip - #0004 Stainless Steel, 1/4-18NPT	45	29	45	51	33	
		412157	Nozzle Kit - #0006, 80' Toolbar - 30" Spacing	-	1	-	-	-	31 Coulters per Toolbar
		412838	Nozzle Kit - #0006, 80' Toolbar - 20" Spacing	1	-	-	-	-	47 Coulters per Toolbar
		412213	Nozzle Kit - #0006, 88' Toolbar - 22" Spacing	-	-	1	-	-	47 Coulters per Toolbar
		412181	Nozzle Kit - #0006, 90' Toolbar - 20" Spacing	-	-	-	1	-	53 Coulters per Toolbar
		412133	Nozzle Kit - #0006, 90' Toolbar - 30" Spacing	-	-	-	-	1	35 Coulters per Toolbar
		9007404	Nozzle Tip - #0006 Stainless Steel, 1/4-18NPT	45	29	45	51	33	
		9007644	Nozzle Tip - #0009 Stainless Steel, 1/4-18NPT	2	2	2	2	2	
		93959	Nozzle Tip - #0003 Stainless Steel, 1/4-18NPT	2	2	-	-	2	

(Continued on next page)

1800 & 2600 NutriMax Liquid Applicator — Parts

Injector Nozzles and Injector Knives (continued)

Please visit www.unverferth.com/parts/ for the most current parts listing.

ITEM	PART NUMBER	DESCRIPTION	QTY BY SPACING					NOTES	
			80' TOOLBAR		88' TOOLBAR		90' TOOLBAR		
			20"	30"	22"	20"	30"		
39	412158	Nozzle Kit - #0008, 80' Toolbar - 30" Spacing	-	1	-	-	-	31 Coulters per Toolbar	
	412839	Nozzle Kit - #0008, 80' Toolbar - 20" Spacing	1	-	-	-	-	47 Coulters per Toolbar	
	412214	Nozzle Kit - #0008, 88' Toolbar - 22" Spacing	-	-	1	-	-	47 Coulters per Toolbar	
	412182	Nozzle Kit - #0008, 90' Toolbar - 20" Spacing	-	-	-	1	-	53 Coulters per Toolbar	
	412134	Nozzle Kit - #0008, 90' Toolbar - 30" Spacing	-	-	-	-	1	35 Coulters per Toolbar	
		9007405	Nozzle Tip - #0008 Stainless Steel, 1/4-18NPT	45	29	45	51	33	
		9007645	Nozzle Tip - #0012 Stainless Steel, 1/4-18NPT	2	2	2	2	2	
		TA852145	Nozzle Tip - #0004 Stainless Steel, 1/4-18NPT	2	2	-	-	2	
		412159	Nozzle Kit - #0010, 80' Toolbar - 30" Spacing	-	1	-	-	-	31 Coulters per Toolbar
		412840	Nozzle Kit - #0010, 80' Toolbar - 20" Spacing	1	-	-	-	-	47 Coulters per Toolbar
		412215	Nozzle Kit - #0010, 88' Toolbar - 22" Spacing	-	-	1	-	-	47 Coulters per Toolbar
		412183	Nozzle Kit - #0010, 90' Toolbar - 20" Spacing	-	-	-	1	-	53 Coulters per Toolbar
		412135	Nozzle Kit - #0010, 90' Toolbar - 30" Spacing	-	-	-	-	1	35 Coulters per Toolbar
		93960	Nozzle Tip - #0005 Stainless Steel, 1/4-18NPT	2	2	-	-	2	
		93961	Nozzle Tip - #0010 Stainless Steel, 1/4-18NPT	45	29	45	51	33	
		93962	Nozzle Tip - #0015 Stainless Steel, 1/4-18NPT	2	2	2	2	2	

(Continued on next page)

1800 & 2600 NutriMax Liquid Applicator — Parts

Injector Nozzles and Injector Knives (continued)

Please visit www.unverferth.com/parts/ for the most current parts listing.

ITEM	PART NUMBER	DESCRIPTION	QTY BY SPACING					NOTES
			80' TOOLBAR		88' TOOLBAR		90' TOOLBAR	
			20"	30"	22"	20"	30"	
39	412160	Nozzle Kit - #0015, 80' Toolbar - 30" Spacing	-	1	-	-	-	31 Coulters per Toolbar
	412841	Nozzle Kit - #0015, 80' Toolbar - 20" Spacing	1	-	-	-	-	47 Coulters per Toolbar
	412216	Nozzle Kit - #0015, 88' Toolbar - 22" Spacing	-	-	1	-	-	47 Coulters per Toolbar
	412184	Nozzle Kit - #0015, 90' Toolbar - 20" Spacing	-	-	-	1	-	53 Coulters per Toolbar
	412136	Nozzle Kit - #0015, 90' Toolbar - 30" Spacing	-	-	-	-	1	35 Coulters per Toolbar
	9007405	Nozzle Tip - #0008 Stainless Steel, 1/4-18NPT	2	2	-	-	2	
	9007646	Nozzle Tip - #0025 Stainless Steel, 1/4-18NPT	2	2	2	2	2	
	93962	Nozzle Tip - #0015 Stainless Steel, 1/4-18NPT	45	29	45	51	33	
	412161	Nozzle Kit - #0020, 80' Toolbar - 30" Spacing	-	1	-	-	-	31 Coulters per Toolbar
	412842	Nozzle Kit - #0020, 80' Toolbar - 20" Spacing	1	-	-	-	-	47 Coulters per Toolbar
	412217	Nozzle Kit - #0020, 88' Toolbar - 22" Spacing	-	-	1	-	-	47 Coulters per Toolbar
	412185	Nozzle Kit - #0020, 90' Toolbar - 20" Spacing	-	-	-	1	-	53 Coulters per Toolbar
	412137	Nozzle Kit - #0020, 90' Toolbar - 30" Spacing	-	-	-	-	1	35 Coulters per Toolbar
	93961	Nozzle Tip - #0010 Stainless Steel, 1/4-18NPT	2	2	-	-	2	
	93963	Nozzle Tip - #0020 Stainless Steel, 1/4-18NPT	45	29	45	51	33	
	93964	Nozzle Tip - #0030 Stainless Steel, 1/4-18NPT	2	2	2	2	2	

(Continued on next page)

1800 & 2600 NutriMax Liquid Applicator — Parts

Injector Nozzles and Injector Knives (continued)

Please visit www.unverferth.com/parts/ for the most current parts listing.

ITEM	PART NUMBER	DESCRIPTION	QTY BY SPACING					NOTES	
			80' TOOLBAR		88' TOOLBAR		90' TOOLBAR		
			20"	30"	22"	20"	30"		
39	412162	Nozzle Kit - #0030, 80' Toolbar - 30" Spacing	-	1	-	-	-	31 Coulters per Toolbar	
	412843	Nozzle Kit - #0030, 80' Toolbar - 20" Spacing	1	-	-	-	-	47 Coulters per Toolbar	
	412218	Nozzle Kit - #0030, 88' Toolbar - 22" Spacing	-	-	1	-	-	47 Coulters per Toolbar	
	412186	Nozzle Kit - #0030, 90' Toolbar - 20" Spacing	-	-	-	1	-	53 Coulters per Toolbar	
	412138	Nozzle Kit - #0030, 90' Toolbar - 30" Spacing	-	-	-	-	1	35 Coulters per Toolbar	
		93962	Nozzle Tip - #0015 Stainless Steel, 1/4-18NPT	2	2	-	-	2	
		93964	Nozzle Tip - #0030 Stainless Steel, 1/4-18NPT	45	29	45	51	33	
		95379	Nozzle Tip - #0050 Stainless Steel, 1/4-18NPT	2	2	2	2	2	
		412163	Nozzle Kit - #0040, 80' Toolbar - 30" Spacing	-	1	-	-	-	31 Coulters per Toolbar
		412844	Nozzle Kit - #0040, 80' Toolbar - 20" Spacing	1	-	-	-	-	47 Coulters per Toolbar
		412219	Nozzle Kit - #0040, 88' Toolbar - 22" Spacing	-	-	1	-	-	47 Coulters per Toolbar
		412187	Nozzle Kit - #0040, 90' Toolbar - 20" Spacing	-	-	-	1	-	53 Coulters per Toolbar
		412139	Nozzle Kit - #0040, 90' Toolbar - 30" Spacing	-	-	-	-	1	35 Coulters per Toolbar
		9007647	Nozzle Tip - #0060 Stainless Steel, 1/4-18NPT	2	2	2	2	2	
		93963	Nozzle Tip - #0020 Stainless Steel, 1/4-18NPT	2	2	-	-	2	
		93965	Nozzle Tip - #0040 Stainless Steel, 1/4-18NPT	45	29	45	51	33	

(Continued on next page)

Injector Nozzles and Injector Knives (continued)

Please visit www.unverferth.com/parts/ for the most current parts listing.

ITEM	PART NUMBER	DESCRIPTION	QTY BY SPACING	NOTES
			60' BOOM	
			30"	
39	412879	Double Coulter Nozzle Kit - #0002, 60' Toolbar - 30" Spacing	1	25 Coulters per Toolbar
	9007403	Nozzle Tip - #0002 Stainless Steel, 1/4-18NPT	48	
	412872	Double Coulter Nozzle Kit - #0003, 60' Toolbar - 30" Spacing	1	25 Coulters per Toolbar
	93959	Nozzle Tip - #0003 Stainless Steel, 1/4-18NPT	48	
	412873	Double Coulter Nozzle Kit - #0004, 60' Toolbar - 30" Spacing	1	25 Coulters per Toolbar
	TA852145	Nozzle Tip - #0004 Stainless Steel, 1/4-18NPT	48	
	412874	Double Coulter Nozzle Kit - #0005, 60' Toolbar - 30" Spacing	1	25 Coulters per Toolbar
	93960	Nozzle Tip - #0005 Stainless Steel, 1/4-18NPT	48	
	412875	Double Coulter Nozzle Kit - #0008, 60' Toolbar - 30" Spacing	1	25 Coulters per Toolbar
	9007405	Nozzle Tip - #0008 Stainless Steel, 1/4-18NPT	48	
	412876	Double Coulter Nozzle Kit - #0010, 60' Toolbar - 30" Spacing	1	25 Coulters per Toolbar
	93961	Nozzle Tip - #0010 Stainless Steel, 1/4-18NPT	48	
	412877	Double Coulter Nozzle Kit - #0015, 60' Toolbar - 30" Spacing	1	25 Coulters per Toolbar
	93962	Nozzle Tip - #0015 Stainless Steel, 1/4-18NPT	48	
	412878	Double Coulter Nozzle Kit - #0020, 60' Toolbar - 30" Spacing	1	25 Coulters per Toolbar
	93963	Nozzle Tip - #0020 Stainless Steel, 1/4-18NPT	48	

(Continued on next page)

1800 & 2600 NutriMax Liquid Applicator — Parts

Injector Nozzles and Injector Knives (continued)

Please visit www.unverferth.com/parts/ for the most current parts listing.

ITEM	PART NUMBER	DESCRIPTION	QTY BY SPACING			NOTES NUMBER OF COULTERS PER TOOLBAR	
			RIGID TOOLBAR	FOLDING TOOLBAR			
				40' BOOM	40' BOOM		40' & 44' BOOM
40	414008	Orifice Kit - #57, 40' Rigid Toolbar - 30" Spacing	1	-	-	15 / 17 Coulters	
	412230	Orifice Kit - #57, 40'/44' Toolbar - 20"/22" Spacing	-	-	1	23 / 25 Coulters	
	412246	Orifice Kit - #57, 40' Toolbar - 30" Spacing	-	1	-	15 / 17 Coulters	
	TA862017	Orifice Plate - 0.040 ID	2	4	2		
	TA862029	Orifice Plate - 0.057 ID	15	15	23		
	414009	Orifice Kit - #70, 40' Rigid Toolbar - 30" Spacing	1	-	-	15 / 17 Coulters	
	412231	Orifice Kit - #70, 40'/44' Toolbar - 20"/22" Spacing	-	-	1	23 / 25 Coulters	
	412247	Orifice Kit - #70, 40' Toolbar - 30" Spacing	-	1	-	15 / 17 Coulters	
	TA862024	Orifice Plate - 0.049 ID	2	2	4		
	TA862036	Orifice Plate - 0.070 ID	15	23	15		
	414010	Orifice Kit - #80, 40' Rigid Toolbar - 30" Spacing	1	-	-	15 / 17 Coulters	
	412232	Orifice Kit - #80, 40'/44' Toolbar - 20"/22" Spacing	-	-	1	23 / 25 Coulters	
	412248	Orifice Kit - #80, 40' Toolbar - 30" Spacing	-	1	-	15 / 17 Coulters	
	TA862029	Orifice Plate - 0.057 ID	2	2	4		
	TA862041	Orifice Plate - 0.080 ID	15	23	15		
	414011	Orifice Kit - #89, 40' Rigid Toolbar - 30" Spacing	1	-	-	15 / 17 Coulters	
	412233	Orifice Kit - #89, 40'/44' Toolbar - 20"/22" Spacing	-	-	1	23 / 25 Coulters	
	412249	Orifice Kit - #89, 40' Toolbar - 30" Spacing	-	1	-	15 / 17 Coulters	
	TA862032	Orifice Plate - 0.063 ID	2	2	4		
	TA862045	Orifice Plate - 0.089 ID	15	23	15		
	414012	Orifice Kit - #107, 40' Rigid Toolbar - 30" Spacing	1	-	-	15 / 17 Coulters	
	412234	Orifice Kit - #107, 40'/44' Toolbar - 20"/22" Spacing	-	-	1	23 / 25 Coulters	
	412250	Orifice Kit - #107, 40' Toolbar - 30" Spacing	-	1	-	15 / 17 Coulters	
	TA862041	Orifice Plate - 0.080 ID	2	2	4		
	TA862051	Orifice Plate - 0.107 ID	15	23	15		

(Continued on next page)

1800 & 2600 NutriMax Liquid Applicator — Parts

Injector Nozzles and Injector Knives (continued)

Please visit www.unverferth.com/parts/ for the most current parts listing.

ITEM	PART NUMBER	DESCRIPTION	QTY BY SPACING			NOTES NUMBER OF COULTERS PER TOOLBAR	
			RIGID TOOLBAR	FOLDING TOOLBAR			
				40' BOOM	40' BOOM		40' & 44' BOOM
40	414013	Orifice Kit - #125, 40' Rigid Toolbar - 30" Spacing	1	-	-	15 / 17 Coulters	
	412235	Orifice Kit - #125, 40'/44' Toolbar - 20"/22" Spacing	-	-	1	23 / 25 Coulters	
	412251	Orifice Kit - #125, 40' Toolbar - 30" Spacing	-	1	-	15 / 17 Coulters	
	TA862045	Orifice Plate - 0.089 ID	2	2	4		
	TA862055	Orifice Plate - 0.125 ID	15	23	15		
	414014	Orifice Kit - #151, 40' Rigid Toolbar - 30" Spacing	1	-	-	15 / 17 Coulters	
	412236	Orifice Kit - #151, 40'/44' Toolbar - 20"/22" Spacing	-	-	1	23 / 25 Coulters	
	412252	Orifice Kit - #151, 40' Toolbar - 30" Spacing	-	1	-	15 / 17 Coulters	
	TA862051	Orifice Plate - 0.107 ID	2	2	4		
	TA862062	Orifice Plate - 0.151 ID	15	23	15		
	414015	Orifice Kit - #177, 40' Rigid Toolbar - 30" Spacing	1	-	--	15 / 17 Coulters	
	412237	Orifice Kit - #177, 40'/44' Toolbar - 20"/22" Spacing	-	-	1	23 / 25 Coulters	
	412253	Orifice Kit - #177, 40' Toolbar - 30" Spacing	-	1	-	15 / 17 Coulters	
	TA862055	Orifice Plate - 0.125 ID	2	2	4		
	TA862068	Orifice Plate - 0.177 ID	15	23	15		

INJECTOR NOZZLE & ORIFICE GUIDE			
Nozzle Size	Knife Orifice Size	P.S.I.	Approx. G.P.A. at 30" Rows at 10 M.P.H.
#0004	#57	30 P.S.I.	7
#0006	#70		10
#0008	#80		14
#0010	#89		17
#0015	#107		26
#0020	#125		34
#0030	#151		51
#0040	#177		69

(Continued on next page)

1800 & 2600 NutriMax Liquid Applicator — Parts

Injector Nozzles and Injector Knives (continued)

Please visit www.unverferth.com/parts/ for the most current parts listing.

ITEM	PART NUMBER	DESCRIPTION	QTY BY SPACING		NOTES
			60' & 66' TOOLBAR	60' TOOLBAR	
			20"/22"	30"	
40	412116	Orifice Kit - #57, 60' Toolbar - 20/22" Spacing	1	-	35 / 37 Coulters per Toolbar
	412124	Orifice Kit - #57, 60' Toolbar - 30" Spacing	-	1	23 / 25 Coulters per Toolbar
	TA862017	Orifice Plate - 0.040"	6	6	
	TA862029	Orifice Plate - 0.057"	33	21	
	412117	Orifice Kit - #70, 60' Toolbar - 20/22" Spacing	1	-	35 / 37 Coulters per Toolbar
	412125	Orifice Kit - #70, 60' Toolbar - 30" Spacing	-	1	23 / 25 Coulters per Toolbar
	TA862024	Orifice Plate - 0.049"	6	6	
	TA862036	Orifice Plate - 0.070"	33	21	
	412118	Orifice Kit - #80, 60' Toolbar - 20/22" Spacing	1	-	35 / 37 Coulters per Toolbar
	412126	Orifice Kit - #80, 60' Toolbar - 30" Spacing	-	1	23 / 25 Coulters per Toolbar
	TA862029	Orifice Plate - 0.057"	6	6	
	TA862041	Orifice Plate - 0.080"	33	21	
	412119	Orifice Kit - #89, 60' Toolbar - 20/22" Spacing	1	-	35 / 37 Coulters per Toolbar
	412127	Orifice Kit - #89, 60' Toolbar - 30" Spacing	-	1	23 / 25 Coulters per Toolbar
	TA862032	Orifice Plate - 0.063"	6	6	
	TA862045	Orifice Plate - 0.089"	33	21	
	412120	Orifice Kit - #107, 60' Toolbar - 20/22" Spacing	1	-	35 / 37 Coulters per Toolbar
	412128	Orifice Kit - #107, 60' Toolbar - 30" Spacing	-	1	23 / 25 Coulters per Toolbar
	TA862041	Orifice Plate - 0.080"	6	6	
	TA862051	Orifice Plate - 0.107"	33	21	
	412121	Orifice Kit - #125, 60' Toolbar - 20/22" Spacing	1	-	35 / 37 Coulters per Toolbar
	412129	Orifice Kit - #125, 60' Toolbar - 30" Spacing	-	1	23 / 25 Coulters per Toolbar
	TA862045	Orifice Plate - 0.089"	6	6	
	TA862055	Orifice Plate - 0.125"	33	21	
	412122	Orifice Kit - #151, 60' Toolbar - 20/22" Spacing	1	-	35 / 37 Coulters per Toolbar
	412130	Orifice Kit - #151, 60' Toolbar - 30" Spacing	-	1	23 / 25 Coulters per Toolbar
	TA862051	Orifice Plate - 0.107"	6	6	
	TA862062	Orifice Plate - 0.151"	33	21	
	412123	Orifice Kit - #177, 60' Toolbar - 20/22" Spacing	1	-	35 / 37 Coulters per Toolbar
	412131	Orifice Kit - #177, 60' Toolbar - 30" Spacing	-	1	23 / 25 Coulters per Toolbar
	TA862055	Orifice Plate - 0.125"	6	6	
	TA862068	Orifice Plate - 0.177"	33	21	

(Continued on next page)

Injector Nozzles and Injector Knives (continued)

Please visit www.unverferth.com/parts/ for the most current parts listing.

ITEM	PART NUMBER	DESCRIPTION	QTY BY SPACING					NOTES		
			80' TOOLBAR		88' TOOLBAR		90' TOOLBAR			
			20"	30"	22"	20"	30"			
40	412172	Orifice Kit - #57, 80' Toolbar - 30" Spacing	-	1	-	-	-	31 Coulters per Toolbar		
	412829	Nozzle Kit - #57, 80' Toolbar - 20" Spacing	1	-	-	-	-	47 Coulters per Toolbar		
	412204	Orifice Kit - #57, 88' Toolbar - 22" Spacing	-	-	1	-	-	47 Coulters per Toolbar		
	412188	Orifice Kit - #57, 90' Toolbar - 20" Spacing	-	-	-	1	-	53 Coulters per Toolbar		
	412140	Orifice Kit - #57, 90' Toolbar - 30" Spacing	-	-	-	-	1	35 Coulters per Toolbar		
		TA862017	Orifice Plate - 0.040"	2	2	-	-	2		
		TA862029	Orifice Plate - 0.057"	45	29	45	51	33		
		TA862036	Orifice Plate - 0.070"	2	2	2	2	2		
		412173	Orifice Kit - #70, 80' Toolbar - 30" Spacing	-	1	-	-	-	31 Coulters per Toolbar	
		412830	Orifice Kit - #70, 80' Toolbar - 20" Spacing	1	-	-	-	-	47 Coulters per Toolbar	
		412205	Orifice Kit - #70, 88' Toolbar - 22" Spacing	-	-	1	-	-	47 Coulters per Toolbar	
		412189	Orifice Kit - #70, 90' Toolbar - 20" Spacing	-	-	-	1	-	53 Coulters per Toolbar	
		412141	Orifice Kit - #70, 90' Toolbar - 30" Spacing	-	-	-	-	1	35 Coulters per Toolbar	
			TA862024	Orifice Plate - 0.040"	2	2	-	-	2	
			TA862036	Orifice Plate - 0.070"	45	29	45	51	33	
			TA862043	Orifice Plate - 0.083"	2	2	2	2	2	

(Continued on next page)

1800 & 2600 NutriMax Liquid Applicator — Parts

Injector Nozzles and Injector Knives (continued)

Please visit www.unverferth.com/parts/ for the most current parts listing.

ITEM	PART NUMBER	DESCRIPTION	QTY BY SPACING					NOTES
			80' TOOLBAR		88' TOOLBAR		90' TOOLBAR	
			20"	30"	22"	20"	30"	
40	412174	Orifice Kit - #80, 80' Toolbar - 30" Spacing	-	1	-	-	-	31 Coulters per Toolbar
	412831	Orifice Kit - #80, 80' Toolbar - 20" Spacing	1	-	-	-	-	47 Coulters per Toolbar
	412206	Orifice Kit - #80, 88' Toolbar - 22" Spacing	-	-	1	-	-	47 Coulters per Toolbar
	412190	Orifice Kit - #80, 90' Toolbar - 20" Spacing	-	-	-	1	-	53 Coulters per Toolbar
	412142	Orifice Kit - #80, 90' Toolbar - 30" Spacing	-	-	-	-	1	35 Coulters per Toolbar
	TA862029	Orifice Plate - 0.057"	2	2	-	-	2	
	TA862041	Orifice Plate - 0.080"	45	29	45	51	33	
	TA862049	Orifice Plate - 0.098"	2	2	2	2	2	
	412175	Orifice Kit - #89, 80' Toolbar - 30" Spacing	-	1	-	-	-	31 Coulters per Toolbar
	412832	Orifice Kit - #89, 80' Toolbar - 20" Spacing	1	-	-	-	-	47 Coulters per Toolbar
	412207	Orifice Kit - #89, 88' Toolbar - 22" Spacing	-	-	1	-	-	47 Coulters per Toolbar
	412191	Orifice Kit - #89, 90' Toolbar - 20" Spacing	-	-	-	1	-	53 Coulters per Toolbar
	412143	Orifice Kit - #89, 90' Toolbar - 30" Spacing	-	-	-	-	1	35 Coulters per Toolbar
	TA862032	Orifice Plate - 0.063"	2	2	-	-	2	
	TA862045	Orifice Plate - 0.089"	45	29	45	51	33	
	TA862051	Orifice Plate - 0.107"	2	2	2	2	2	

(Continued on next page)

1800 & 2600 NutriMax Liquid Applicator — Parts

Injector Nozzles and Injector Knives (continued)

Please visit www.unverferth.com/parts/ for the most current parts listing.

ITEM	PART NUMBER	DESCRIPTION	QTY BY SPACING					NOTES
			80' TOOLBAR		88' TOOLBAR		90' TOOLBAR	
			20"	30"	22"	20"	30"	
40	412176	Orifice Kit - #107, 80' Toolbar - 30" Spacing	-	1	-	-	-	31 Coulters per Toolbar
	412833	Orifice Kit - #107, 80' Toolbar - 20" Spacing	1	-	-	-	-	47 Coulters per Toolbar
	412208	Orifice Kit - #107, 88' Toolbar - 22" Spacing	-	-	1	-	-	47 Coulters per Toolbar
	412192	Orifice Kit - #107, 90' Toolbar - 20" Spacing	-	-	-	1	-	53 Coulters per Toolbar
	412144	Orifice Kit - #107, 90' Toolbar - 30" Spacing	-	-	-	-	1	35 Coulters per Toolbar
	TA862041	Orifice Plate - 0.080"	2	2	-	-	2	
	TA862051	Orifice Plate - 0.107"	45	29	45	51	33	
	TA862057	Orifice Plate - 0.132"	2	2	2	2	2	
	412177	Orifice Kit - #125, 80' Toolbar - 30" Spacing	-	1	-	-	-	31 Coulters per Toolbar
	412834	Orifice Kit - #125, 80' Toolbar - 20" Spacing	1	-	-	-	-	47 Coulters per Toolbar
	412209	Orifice Kit - #125, 88' Toolbar - 22" Spacing	-	-	1	-	-	47 Coulters per Toolbar
	412193	Orifice Kit - #125, 90' Toolbar - 20" Spacing	-	-	-	1	-	53 Coulters per Toolbar
	412145	Orifice Kit - #125, 90' Toolbar - 30" Spacing	-	-	-	-	1	35 Coulters per Toolbar
	TA862045	Orifice Plate - 0.089"	2	2	-	-	2	
	TA862055	Orifice Plate - 0.125"	45	29	45	51	33	
	TA862062	Orifice Plate - 0.151"	2	2	2	2	2	

(Continued on next page)

1800 & 2600 NutriMax Liquid Applicator — Parts

Injector Nozzles and Injector Knives (continued)

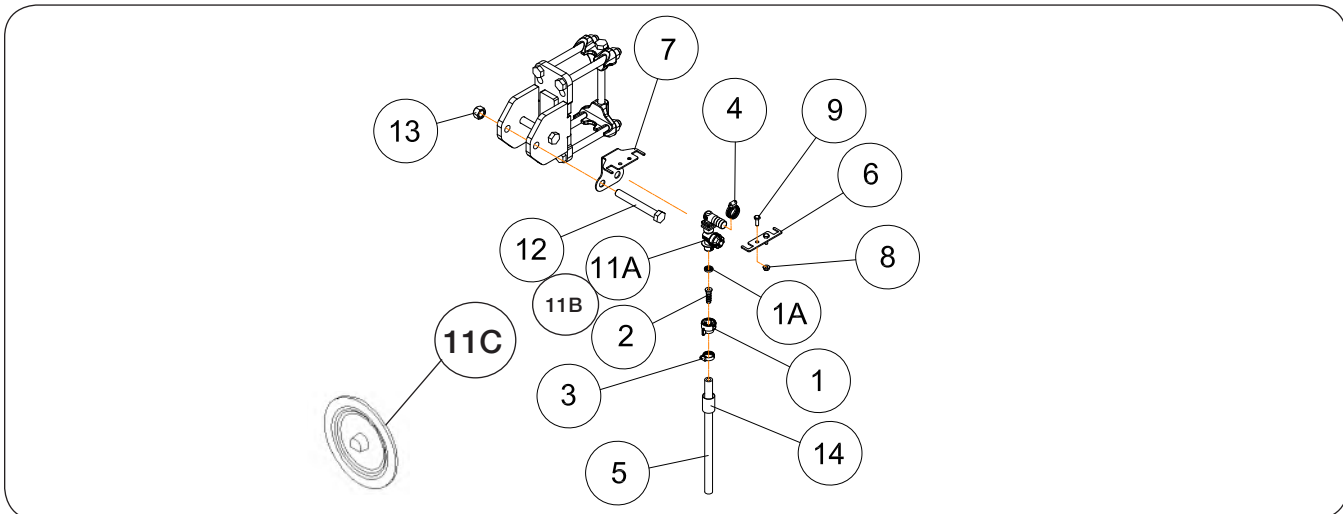
Please visit www.unverferth.com/parts/ for the most current parts listing.

ITEM	PART NUMBER	DESCRIPTION	QTY BY SPACING					NOTES
			80' TOOLBAR		88' TOOLBAR		90' TOOLBAR	
			20"	30"	22"	20"	30"	
40	412178	Orifice Kit - #151, 80' Toolbar - 30" Spacing	-	1	-	-	-	31 Coulters per Toolbar
	412835	Orifice Kit - #151, 80' Toolbar - 20" Spacing	1	-	-	-	-	47 Coulters per Toolbar
	412210	Orifice Kit - #151, 88' Toolbar - 22" Spacing	-	-	1	-	-	47 Coulters per Toolbar
	412194	Orifice Kit - #151, 90' Toolbar - 20" Spacing	-	-	-	1	-	53 Coulters per Toolbar
	412146	Orifice Kit - #151, 90' Toolbar - 30" Spacing	-	-	-	-	1	35 Coulters per Toolbar
	TA862051	Orifice Plate - 0.107"	2	2	-	-	2	
	TA862062	Orifice Plate - 0.151"	45	29	45	51	33	
	TA862070	Orifice Plate - 0.187"	2	2	2	2	2	
	412179	Orifice Kit - #177, 80' Toolbar - 30" Spacing	-	1	-	-	-	31 Coulters per Toolbar
	412836	Orifice Kit - #177, 80' Toolbar - 20" Spacing	1	-	-	-	-	47 Coulters per Toolbar
	412219	Orifice Kit - #177, 88' Toolbar - 22" Spacing	-	-	1	-	-	47 Coulters per Toolbar
	412195	Orifice Kit - #177, 90' Toolbar - 20" Spacing	-	-	-	1	-	53 Coulters per Toolbar
	412147	Orifice Kit - #177, 90' Toolbar - 30" Spacing	-	-	-	-	1	35 Coulters per Toolbar
	TA862055	Orifice Plate - 0.125"	2	2	2	-	2	
	TA862068	Orifice Plate - 0.177"	45	29	-	51	33	
	TA862073	Orifice Plate - 0.218"	2	2	45	2	2	

1800 & 2600 NutriMax Liquid Applicator — Parts

Nozzle

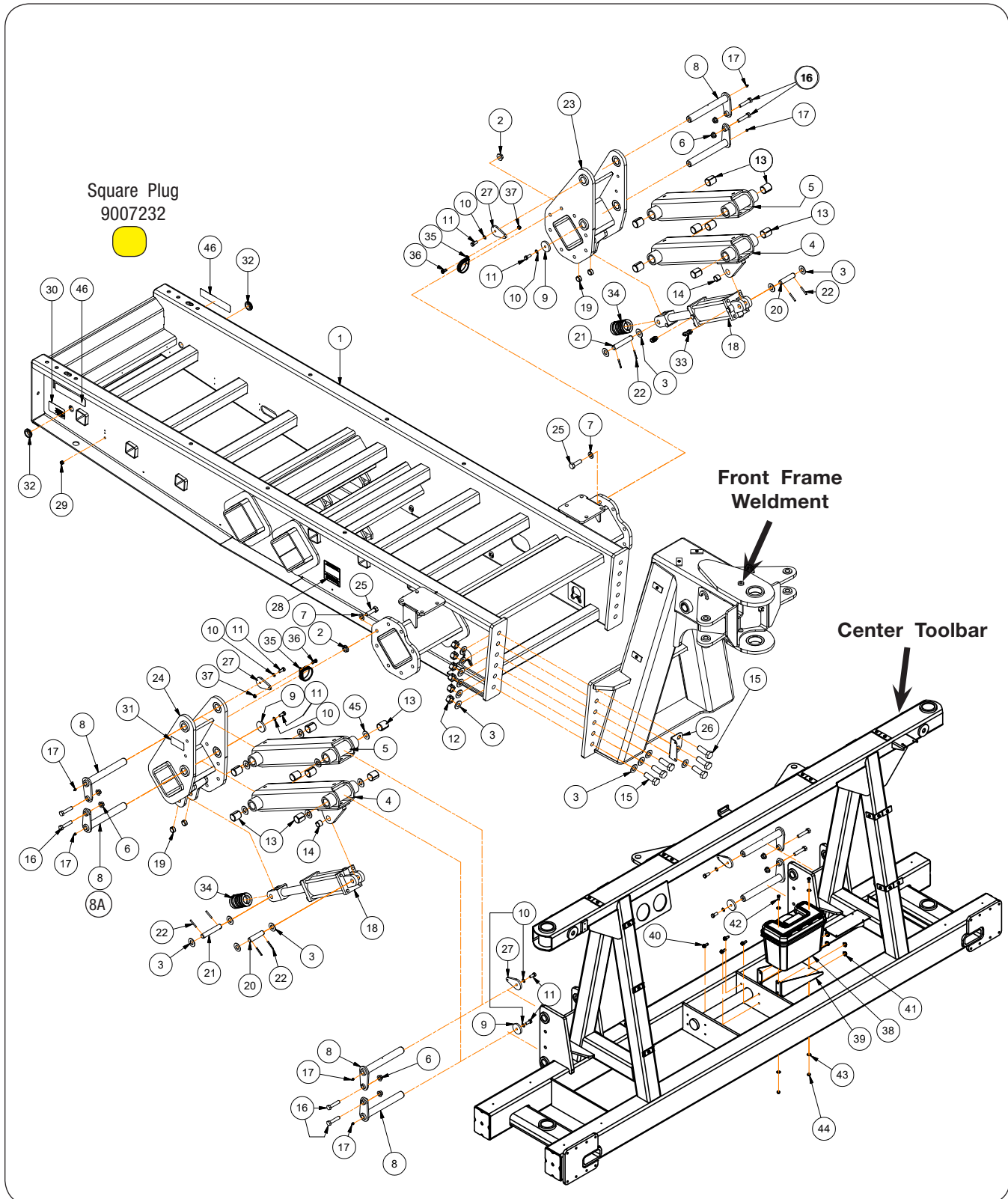
Please visit www.unverferth.com/parts/ for the most current parts listing.



ITEM	PART NUMBER	DESCRIPTION	QTY.	NOTES
1	9007736	Quick Cap w/Gasket	A/R	
1A	9007735	Nozzle Cap Gasket	A/R	
2	TA865665	Hose Shank 1/4" ID x 1 3/8	A/R	
3	TA800902	Hose Clamp for 3/8" Dia. Hose	A/R	
4	TA800910	Hose Clamp for 3/4" Dia. Hose	A/R	
5	TA806200	Hose 3/8" Dia.	A/R	Specify by Feet
6	411916B	Nozzle Retainer Plate =Black=	A/R	
7	411917B	Nozzle Mount Plate =Black=	A/R	
8	9004720	Flange Nut 1/4-20UNC (Stainless Steel)	A/R	
9	900900-003	Capscrew 1/4-20UNC x 3/4 (Stainless Steel)	A/R	
11	TA880149	Single Nozzle Body Elbow	A/R	
11A	TA885125	End Cap Assembly	A/R	
11B	9007657	Chemsaver Manual Valve	2	90'-30" Toolbar Only
11C	TA885127	EPDM Diaphragm	A/R	
12	9501438-134	Capscrew, 5/8-11UNC x 5 Gr.5 (Black)	A/R	
13	9501439-036	Locknut, 5/8-11UNC Gr.5 (Black)	A/R	
14	9007772	Hose Marker Sleeve	A/R	

Applicator Frame Components

Please visit www.unverferth.com/parts/ for the most current parts listing.



1800 & 2600 NutriMax Liquid Applicator — Parts

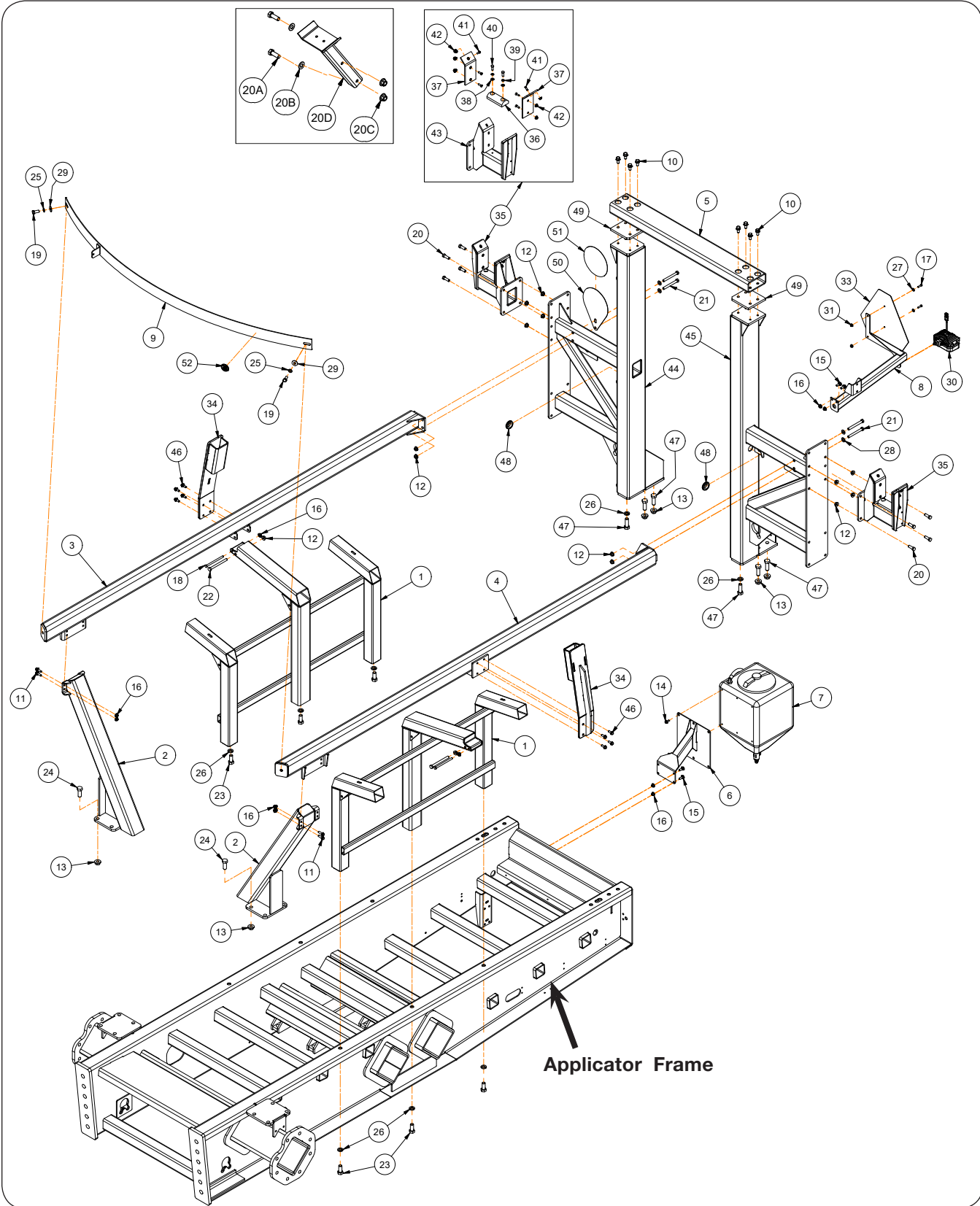
Applicator Frame Components

Please visit www.unverferth.com/parts/ for the most current parts listing.

ITEM	PART NUMBER	DESCRIPTION	QTY	NOTES
1	414300G	Applicator Frame Weldment =Green=	1	SHOWN For 60' & 66' Toolbars
	414300R	Applicator Frame Weldment =Red=		
	414309G	Applicator Frame Weldment =Green=		
	414309R	Applicator Frame Weldment =Red=		
	414636G	Applicator Frame Weldment =Green=		For 40' Toolbars
414636R	Applicator Frame Weldment =Red=			
2	9003399	Locknut 3/4-10UNC	16	
3	9405-116	Flat Washer 1" SAE	30	
4	415004G	Lower Parallel Lift Arm Kit =Green=	2	
	415004R	Lower Parallel Lift Arm Kit =Red=		
5	415005G	Upper Parallel Lift Arm Kit =Green=	2	
	415005R	Upper Parallel Lift Arm Kit =Red=		
6	9003398	Flange Top Locknut 5/8-11UNC	8	
7	9405-104	Flat Washer 3/4" SAE	16	
8	410429	Lift Pin Weldment 1 1/2" Dia. x 12 3/8	8	
8A	412762	Toolbar Pin Weldment 2" Dia. x 9 9/16 (Not Shown)	2	For 40' Toolbars
9	410446	Retainer Pin Plate 2 1/2" Dia.	4	
10	9404-025	Lock Washer 1/2"	8	
11	9390-100	Capscrew 1/2-13UNC x 1 1/4	8	
12	92199	Locknut 1-8UNC	12	
13	9002806	Split Tension Bushing 1 3/4" Dia. x 2	16	
14	91268	Tension Bushing 1 1/4" Dia. x 1	2	
15	9390-187	Capscrew 1-8UNC x 3	12	
16	9390-128	Capscrew 5/8-11UNC x 3	8	
17	9007654	Grease Zerk	8	
18	97310	Hydraulic Cylinder 4 x 10	2	For 40' Toolbars
	95397	Hydraulic Cylinder 3 x 8		
19	9007172	Split Tension Bushing 1 1/4" Dia. x 5/8	4	
20	410447	Cylinder Pin 1" Dia. x 4 3/8	2	For 40' Toolbars
	411811	Cylinder Pin 1" Dia. x 4 1/8		
21	410448	Cylinder Pin 1" Dia. x 5 3/4	2	
22	9392-140	Roll Pin 1/4" Dia. x 2	8	
23	414306G	Lift Arm Slide Weldment Left-Hand =Green=	1	
	414306R	Lift Arm Slide Weldment Left-Hand =Red=		
24	414307G	Lift Arm Slide Weldment Right-Hand =Green=	1	
	414307R	Lift Arm Slide Weldment Right-Hand =Red=		
25	91299-148	Capscrew 3/4-10UNC x 2 3/4	16	Grade 8
26	411273B	Sight Gauge Bracket =Black=	1	Model 2600
	412957B			Model 1800
27	411313	Retainer Pin Plate	4	
28	9007565	Decal, WARNING "Axle Adjustment"	2	
29	98136	Grommet 3/8" ID	1	
30	95445	Decal, WARNING "High-Pressure Fluid"	1	
31	95839	Decal, WARNING "Pinch Point"	2	
32	97840	Grommet 1 1/4" ID	2	
33	9006167	90° Elbow 3/4-16 Male Flare x 3/4 Male O-Ring	4	For 40' Toolbars
	9006173	90° Elbow 9/16 Male Flare x 3/4 Male O-Ring		
34	9003729	Depth Stop Collar Kit	2	
	9003195		4	For 40' Toolbars
35	9007320	Metal Cable Clamp, 3" x 3/4"	4	
36	9390-055	Capscrew, 3/8-16UNC x 1	4	Grade 5
37	9928	Locknut, 3/8-16UNC	4	Grade 5
38	902456	Toolbox	1	
39	414124B	Toolbox Mounting Plate	1	
40	91262	Capscrew, 3/8-16UNC x 1"	4	Grade 5
41	91263	Flange Locknut, 3/8-16UNC	4	Grade 5
42	9390-029	Capscrew, 5/16-18UNC x 7/8"	2	Grade 5
43	9405-070	Flat Washer 5/16"	4	
44	9807	Top Locknut 5/16-18UNC	2	
45	9405-142	Flat Washer 1 1/2"	16	
46	9003127	Reflector 2 x 9 =AMBER=	2	For 1800 - 40' Toolbars

Tank Frame Components

Please visit www.unverferth.com/parts/ for the most current parts listing.



Tank Frame Components

Please visit www.unverferth.com/parts/ for the most current parts listing.

ITEM	PART NUMBER	DESCRIPTION	QTY	NOTES
1	410034G	Wheel Well Support Weldment =Green=	2	
	410034R	Wheel Well Support Weldment =Red=		
2	410126G	Front Tank Support Weldment =Green=	2	Model 1800 - 40' Toolbar
	410126R	Front Tank Support Weldment =Red=		
	412698G	Front Tank Support Weldment =Green=		
	412698R	Front Tank Support Weldment =Red=		
3	410220G	Perimeter Weldment Right-Hand =Green=	1	
	410220R	Perimeter Weldment Right-Hand =Red=		
4	410221G	Perimeter Weldment Left-Hand =Green=	1	
	410221R	Perimeter Weldment Left-Hand =Red=		
5	410677G	Cross Tube =Green=	1	
	410677R	Cross Tube =Red=		
6	410757G	Clean Water Tank Mount Weldment =Green=	1	
	410757R	Clean Water Tank Mount Weldment =Red=		
7	410942	10 Gallon Clean Water Tank Assembly (Gray)	1	See Clean Water Tank Components in This Section
8	411148G	Mount Bracket Weldment =Green=	1	
	411148R	Mount Bracket Weldment =Red=		
9	411320G	Support Bar Weldment =Green=	1	Model 1800 - 40' Toolbar
	411320R	Support Bar Weldment =Red=		
	412956G	Support Bar Weldment =Green=		
	412956R	Support Bar Weldment =Red=		
10	9001529	Flange Screw 1/2-13UNC x 1	8	
11	9003259	Flange Screw 3/8-16UNC x 1 1/4	8	
12	9003397	Locking Flange Nut 1/2-13UNC	14	
13	9003399	Locking Flange Nut 3/4-10UNC	12	
14	91256	Screw/Large Flange 5/16-18UNC x 3/4	6	
15	91262	Flange Screw 3/8-16UNC x 1	2	
16	91263	Nut/Large Flange 3/8-16UNC	12	
17	9390-005	Capscrew 1/4-20UNC x 1	2	Grade 5
18	9390-070	Capscrew 3/8-16UNC x 5 1/2	2	Grade 5
19	9390-100	Capscrew 1/2-13UNC x 1 1/4	2	Grade 5
20	9390-101	Capscrew 1/2-13UNC x 1 1/2	8	Grade 5
20A	9390-123	Capscrew 5/8-11UNC x 1 3/4 Gr. 5	4	Model 1800 - 40' Toolbar
20B	9405-098	Flat Washer 5/8" SAE	4	
20C	9003398	Top Lock Flange Nut 5/8-11UNC	4	
20D	412905G	Rest Weldment Right-Hand =Green=	1	
	412905R	Rest Weldment Right-Hand =Red=		
	412958G	Rest Weldment Left-Hand =Green=		
	412958R	Rest Weldment Left-Hand =Red=		
21	9390-112	Capscrew 1/2-13UNC x 4 1/2	4	Grade 5
22	9390-114	Capscrew 1/2-13UNC x 5 1/2	2	Grade 5
23	9390-144	Capscrew 3/4-10UNC x 1 3/4	6	Grade 5
24	9390-145	Capscrew 3/4-10UNC x 2	8	Grade 5
25	9404-025	Lock Washer 1/2"	2	

(continued on next page)

1800 & 2600 NutriMax Liquid Applicator — Parts

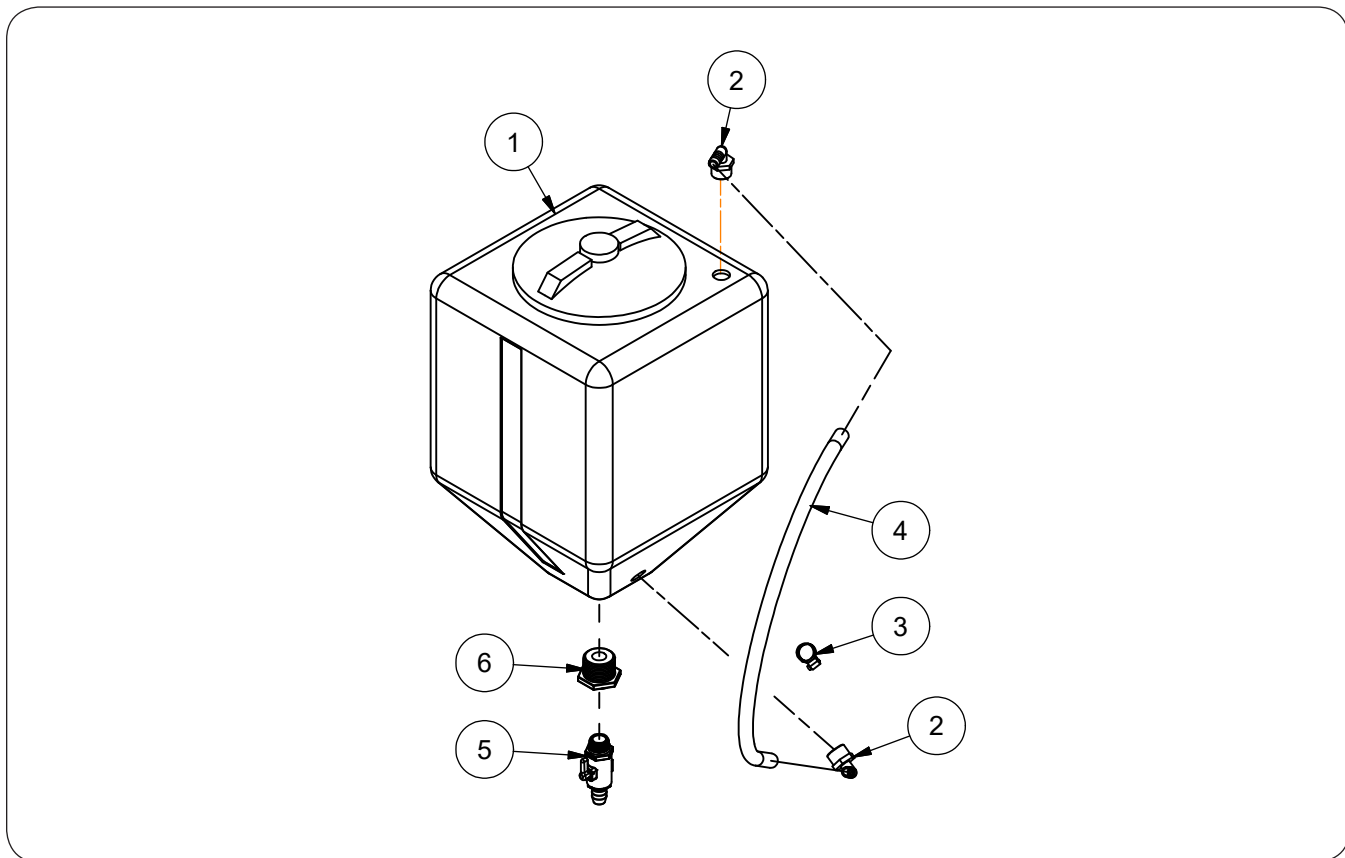
Tank Frame Components (Continued)

Please visit www.unverferth.com/parts/ for the most current parts listing.

ITEM	PART NUMBER	DESCRIPTION	QTY	NOTES
26	9404-033	Lock Washer 3/4"	8	
27	9405-064	Flat Washer 1/4" USS	2	
28	9405-086	Flat Washer 1/2" SAE	4	
29	9405-088	Flat Washer 1/2" USS	2	
30	301213	Work Light w/Switch Replacement Kit	1	
31	97189	Hex Nut/Large Flange 1/4-20UNC	2	
33	TA510514	SMV Emblem	1	
34	410214G	Side Tank Support Weldment =Green=	2	Model 2600 ONLY
	410214R	Side Tank Support Weldment =Red=		
35	414303G	Wing Rest Assembly =Green=	2	
	414303R	Wing Rest Assembly =Red=		
36	410750	Rest Pad 2 1/4 x 5	2	
37	401561	Rest Pad 3 1/2 x 7 3/4	4	
38	9405-074	Flat Washer 3/8" SAE	4	
39	9404-021	Lock Washer 3/8"	4	
40	9390-055	Capscrew 3/8-16UNC x 1	4	Grade 5
41	903171-660	Flat Head Countersunk Machine Screw 5/16-18UNC x 1	12	
42	91257	Hex Nut/Large Flange 5/16-18UNC	12	
43	414304G	Wing Rest Weldment =Green=	2	
	414304R	Wing Rest Weldment =Red=		
44	412909G	Wing Rest Weldment Right-Hand =Green=	1	Model 1800 - 40' Toolbar
	412909R	Wing Rest Weldment Right-Hand =Red=		
	410800G	Wing Rest Weldment Right-Hand =Green=		Model 1800 - 60' Toolbar
	410800R	Wing Rest Weldment Right-Hand =Red=		
	410730G	Wing Rest Weldment Right-Hand =Green=		Model 2600 SHOWN
	410730R	Wing Rest Weldment Right-Hand =Red=		
45	412914G	Wing Rest Weldment Left-Hand =Green=	1	Model 1800 - 40' Toolbar
	412914R	Wing Rest Weldment Left-Hand =Red=		
	410801G	Wing Rest Weldment Left-Hand =Green=		Model 1800 - 60' Toolbar
	410801R	Wing Rest Weldment Left-Hand =Red=		
	410731G	Wing Rest Weldment Left-Hand =Green=		Model 2600 SHOWN
	410731R	Wing Rest Weldment Left-Hand =Red=		
46	91262	Flange Screw 3/8-16UNC x 1	8	
47	9390-146	Capscrew 3/4-10UNC x 2 1/4	6	Grade 5
48	97840	Grommet 1 1/2" Dia.	2	
49	414338G	Spacer Plate =Green=	A/R	Use As Required
	414338R	Spacer Plate =Red=		
50	413862B	SIS Bracket =Black=	1	
51	9008714	Decal, Rear SIS 20 MPH	1	Shown (Wheels)
52	9008715	Decal, Front SIS 20 MPH	1	
53	9008720	Decal, Rear SIS 30 KPH	1	Wheels
54	9008721	Decal, Front SIS 30 KPH	1	
55	9008716	Decal, Rear SIS 15 MPH	1	Tracks
56	9008717	Decal, Front SIS 15 MPH	1	
57	9008722	Decal, Rear SIS 25 KPH	1	
58	9008723	Decal, Front SIS 25 KPH	1	

Clean Water Tank Components

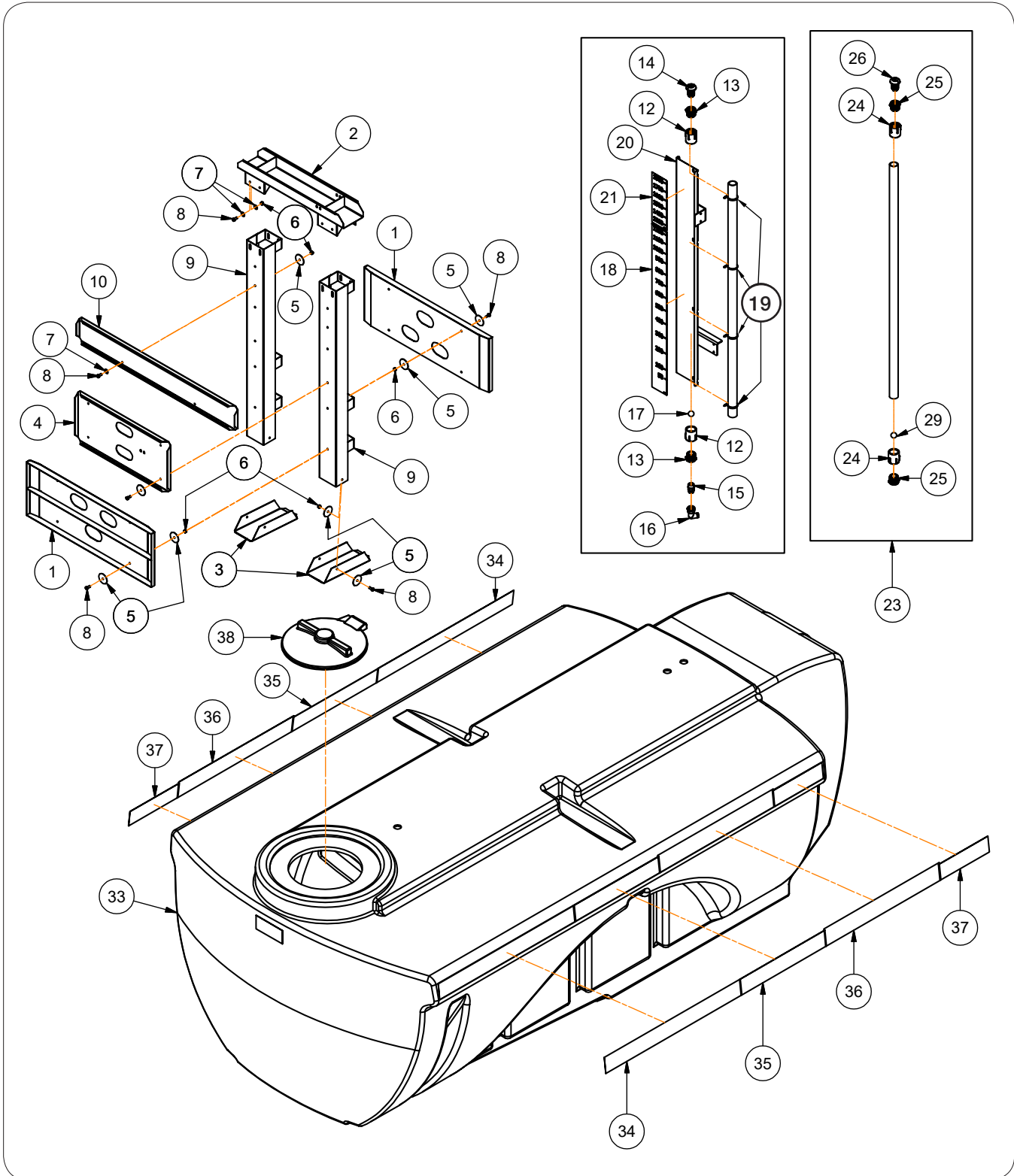
Please visit www.unverferth.com/parts/ for the most current parts listing.



ITEM	PART NUMBER	DESCRIPTION	QTY	NOTES
	410942	10 Gallon Clean Water Tank Assembly (Gray)	-	Includes Items 1-6
1	9007237	10 Gallon Tank (Gray)	1	
2	TA808275	Poly 90° Elbow Hose Barb 3/4" MPT x 1/2"	2	
3	TA800906	Hose Clamp SC-8 (Stainless Steel)	1	
4	TA806554	1/2" Clear Vinyl Tubing	1	
5	9007699	Poly Valve, 3/4" MPT x 3/4" HB	1	
6	TA814657	Reducer Bushing, 1 1/4-11 1/2 NPTF Male x 3/4-14 NPTF Female	1	

Tank & Baffle 1800 Gallon Components

Please visit www.unverferth.com/parts/ for the most current parts listing.



1800 & 2600 NutriMax Liquid Applicator — Parts

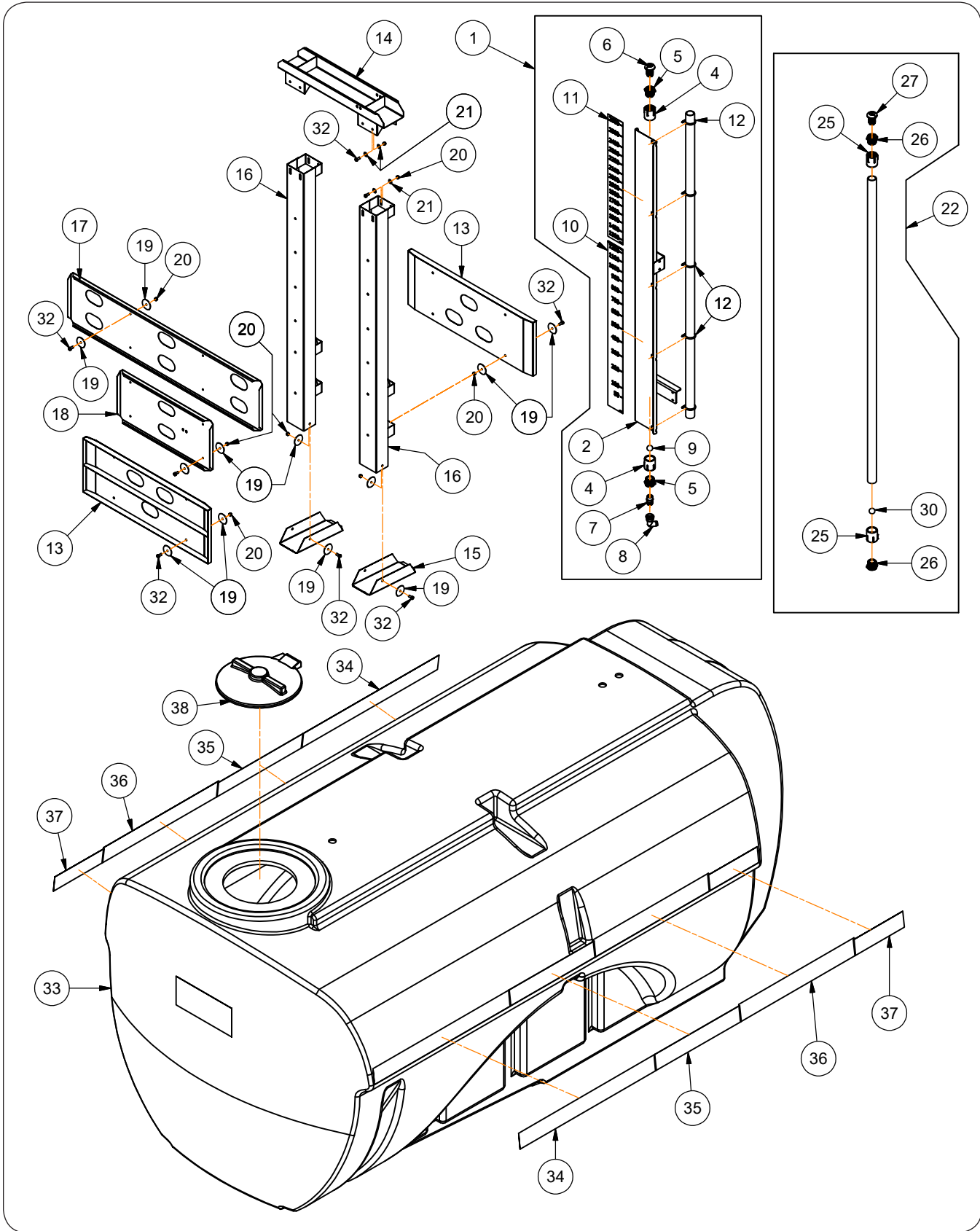
Tank & Baffle 1800 Gallon Components

Please visit www.unverferth.com/parts/ for the most current parts listing.

ITEM	PART NUMBER	DESCRIPTION	QTY.	NOTES
1	411279	Lower Baffle Weldment	2	
2	411282	Upper Baffle Weldment	1	
3	410813	Baffle Panel Support	2	
4	410814	Baffle Panel 30"	1	
5	9004497	Fender Washer (Stainless Steel)	36	
6	900906-006	Locknut 3/8-16UNC (Stainless Steel)	28	
7	900902-038	Flat Washer 3/8" USS	20	
8	900900-054	Capscrew 3/8-16UNC x 7/8 (Stainless Steel)	28	
9	411303	Baffle Upright Support Weldment	2	
10	410833	Baffle Panel 50"	1	
12	9004547	Adapter 1 1/2 Female x 1 1/2 NPT Female	2	
13	TA814661	Reducer Bushing 1 1/2-11 1/2 NPTF Male x 1-11 1/2 NPTF Female	2	
14	9005558	Tank Vent Breather	1	
15	9006477	Quick Connect Adapter 1" Male Pipe	1	
16	TA854886	Quick Connect Kit 90° Elbow 1" Hose Barb	1	
17	9003683	Indicator Ball 1 1/4" (RED)	1	
18	9007350	Decal, Lower Volume for 1800 Gallon Tank (Gray)	1	
19	9000104	Cable Tie 6"	4	
20	410857B	Sight Gauge Bracket Weldment =Black=	1	
21	9007352	Decal, Upper Volume for 1800 Gallon Tank (Gray)	1	
23	412384	Sight Gauge Assembly, Front =Black=	1	
24	9004547	Adapter 1 1/2 Female x 1 1/2 NPT Female	2	
25	TA814661	Reducer Bushing 1 1/2-11 1/2 NPTF Male x 1-11 1/2 NPTF Female	2	
26	9005558	Tank Vent Breather	1	
29	9003683	Indicator Ball 1 1/4" (RED)	1	
33	410863	1800 Gallon Gray Tank	1	
34	9007581	Decal, Unverferth (Green)	2	
	9007582	Decal, Unverferth (Red)		
35	9007583	Decal, Stripe (Green)	2	
	9007584	Decal, Stripe (Red)		
36	9007585	Decal, NutriMax (Green)	2	
	9007586	Decal, NutriMax (Red)		
37	9007589	Decal, Model "1800" (Green)	2	
	9007590	Decal, Model "1800" (Red)		
38	TA805210	Tank Lid	1	

Tank & Baffle 2600 Gallon Components

Please visit www.unverferth.com/parts/ for the most current parts listing.



1800 & 2600 NutriMax Liquid Applicator — Parts

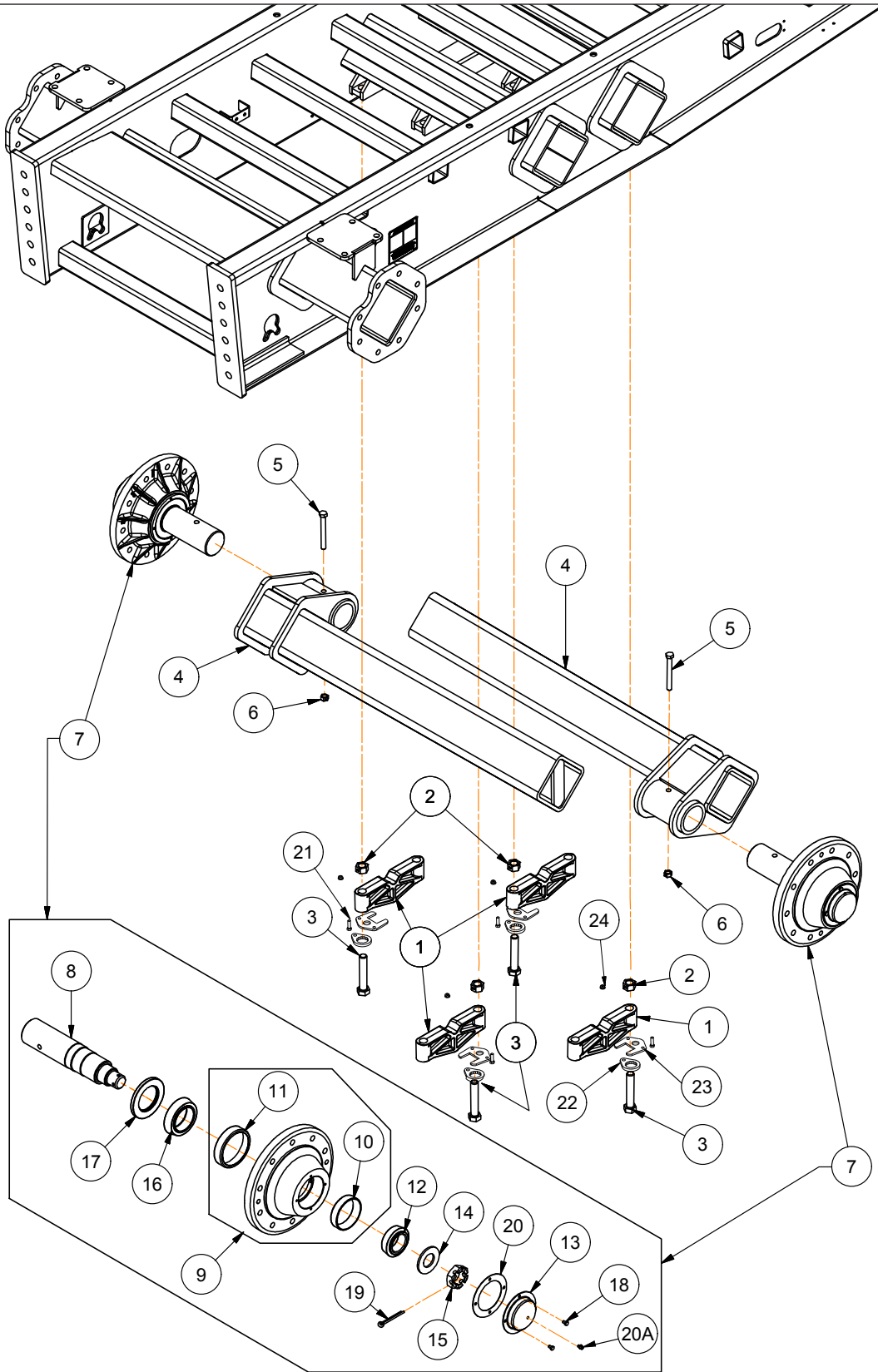
Tank & Baffle 2600 Gallon Components

Please visit www.unverferth.com/parts/ for the most current parts listing.

ITEM	PART NUMBER	DESCRIPTION	QTY.	NOTES
1	411248B	Sight Gauge Assembly, Rear =Black=	1	
2	410756B	Sight Gauge Bracket Weldment =Black=	1	
4	9004547	Adapter 1 1/2 Female x 1 1/2 NPT Female	2	
5	TA814661	Reducer Bushing 1 1/2-11 1/2 NPTF Male x 1-11 1/2 NPTF Female	2	
6	9005558	Tank Vent Breather	1	
7	9006477	Quick Connect Adapter 1" Male Pipe	1	
8	TA854886	Quick Connect Kit 90° Elbow 1" Hose Barb	1	
9	9003683	Indicator Ball 1 1/4" (RED)	1	
10	9007350	Decal, Lower Volume for 2600 Gallon Tank (Gray)	1	
11	9007351	Decal, Upper Volume for 2600 Gallon Tank (Gray)	1	
12	9000104	Cable Tie 6"	5	
13	411279	Lower Baffle Weldment	2	
14	411282	Upper Baffle Weldment	1	
15	410813	Baffle Panel Support	2	
16	411285	Baffle Upright Support Weldment	2	
17	410810	Baffle Panel 60"	1	
18	410814	Baffle Panel 30"	1	
19	9004497	Fender Washer (Stainless Steel)	40	
20	900906-006	Locknut 3/8-16UNC (Stainless Steel)	28	
21	900902-038	Flat Washer 3/8" USS	16	
22	407463	Sight Tube Assembly	1	
25	9004547	Adapter 1 1/2 Female x 1 1/2 NPT Female	2	
26	TA814661	Reducer Bushing 1 1/2-11 1/2 NPTF Male x 1-11 1/2 NPTF Female	2	
27	9005558	Tank Vent Breather	1	
30	9003683	Indicator Ball 1 1/4" (RED)	1	
32	900900-054	Capscrew 3/8-16UNC x 7/8 (Stainless Steel)	28	
33	410861	2600 Gallon Gray Tank	1	
34	9007581	Decal, Unverferth (Green)	2	
	9007582	Decal, Unverferth (Red)		
35	9007583	Decal, Stripe (Green)	2	
	9007584	Decal, Stripe (Red)		
36	9007585	Decal, NutriMax (Green)	2	
	9007586	Decal, NutriMax (Red)		
37	9007587	Decal, Model "2600" (Green)	2	
	9007588	Decal, Model "2600" (Red)		
38	TA805210	Tank Lid	1	

Axle and Hub Components

Please visit www.unverferth.com/parts/ for the most current parts listing.



Axle and Hub Components

Please visit www.unverferth.com/parts/ for the most current parts listing.


ITEM	PART NUMBER	DESCRIPTION	QTY	NOTES
1	404785B	Axle Clamp =Black=	4	
2	9394-020	Hex Nut, 1-8UNC Grade 5	8	
3	9390-194	Capscrew 1-8UNC x 5 1/2 (Grade 5)	8	
4	410009B	Axle Weldment =Black=	2	
5	9390-135	Capscrew 5/8-11UNC x 5 1/2 (Grade 5)	2	
6	95905	Locknut 5/8-11UNC	2	
7	401593B	Hub and Spindle Assembly	2	
8	401580	Spindle 3 3/4" Dia. x 17 1/2	2	
9	401144B	Hub with Bearing Cups =Black=	2	
10	92462	Bearing Cup 4.8125" Dia. (HM212011)	2	
11	92476	Bearing Cup 5.786" Dia. (HM218210)	2	
12	92464	Bearing Cone (HM212049)	2	
13	286171B	Hub Cap	2	
14	92472	Washer	2	
15	92470	Slotted Hex Nut	2	
16	92545	Bearing Cone (HM218248)	2	
17	92565	Seal	2	
18	9390-026	Capscrew 5/16-18UNC x 1/2 (Grade 5)	8	
19	9391-090	Cotter Pin 3/8" Dia. x 4	2	
20	284230	Hub Cap Gasket	2	
20A	91160	Grease Zerk	2	
21	9390-056	Capscrew, 3/8-16UNC x 1 1/4 Grade 5	8	
22	413570B	Bolt Retainer Plate	8	
23	413569B	Bolt Retainer Plate	8	
24	9003396	Locknut, 3/8-16UNC Grade F	8	

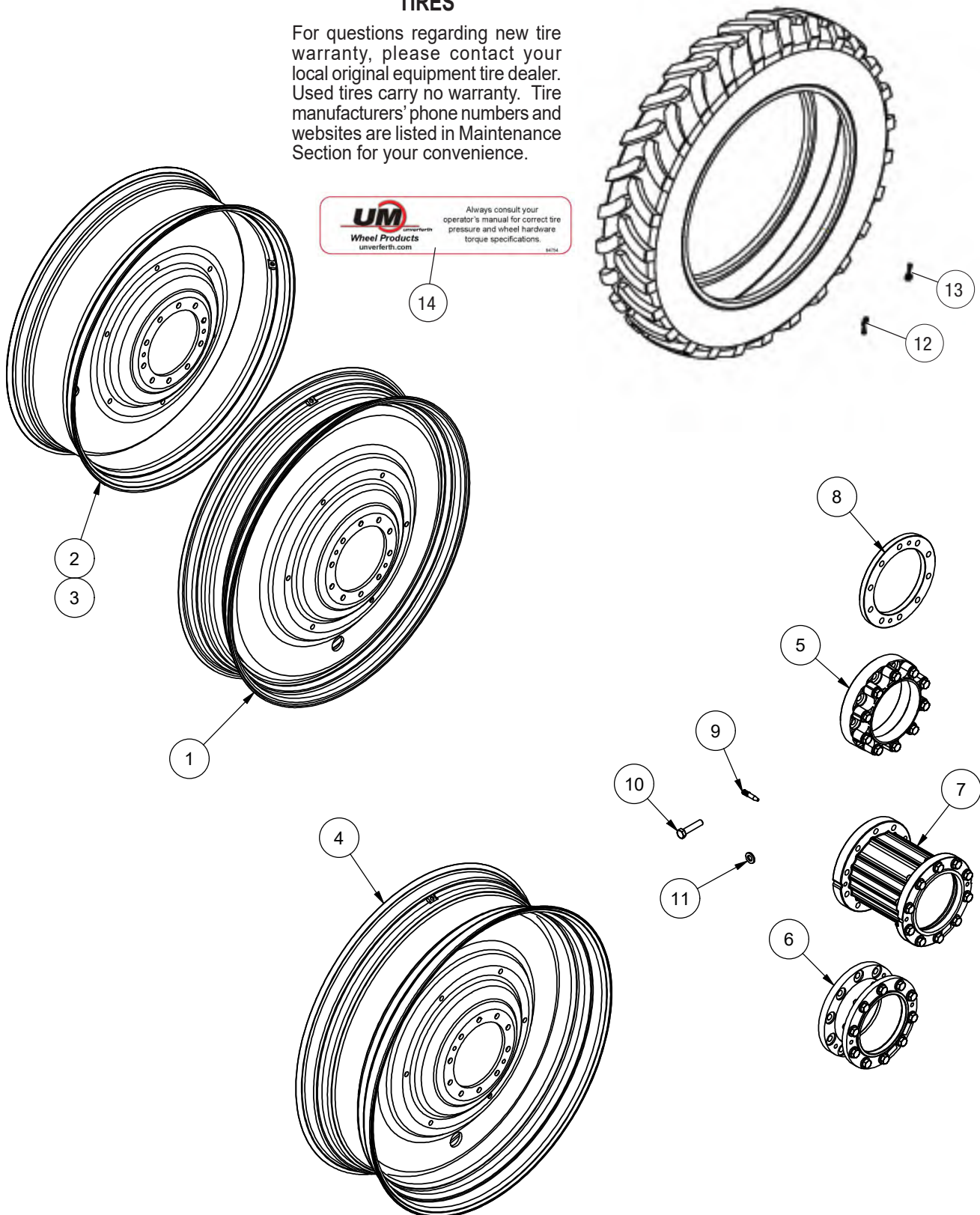
Wheel & Tire 1800 Gallon Components

Please visit www.unverferth.com/parts/ for the most current parts listing.

TIRES

For questions regarding new tire warranty, please contact your local original equipment tire dealer. Used tires carry no warranty. Tire manufacturers' phone numbers and websites are listed in Maintenance Section for your convenience.

 Always consult your operator's manual for correct tire pressure and wheel hardware torque specifications. 5/17/14



Wheel & Tire 1800 Gallon Components

Please visit www.unverferth.com/parts/ for the most current parts listing.

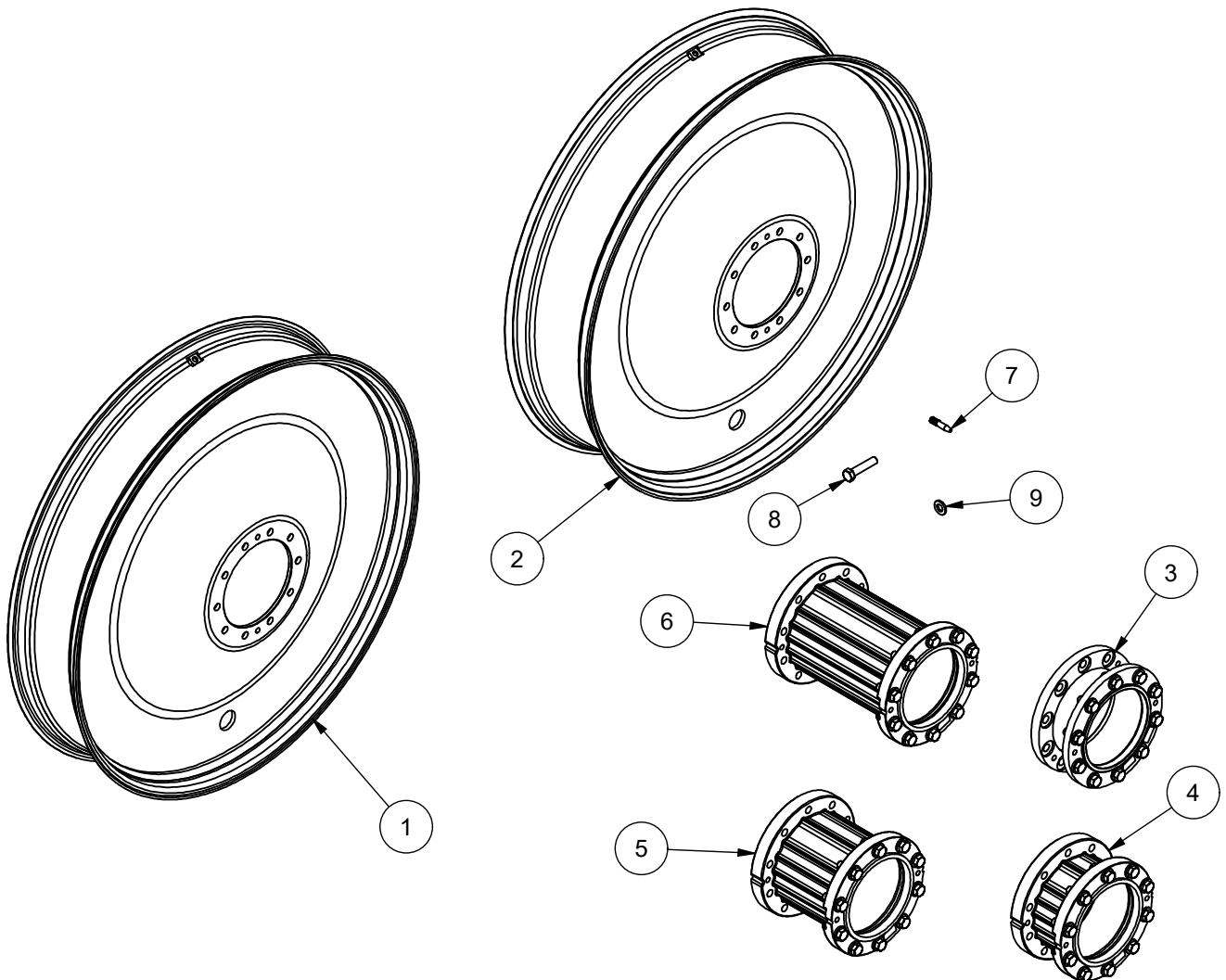
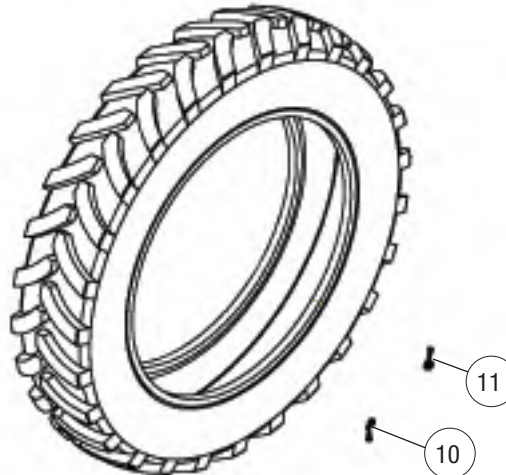
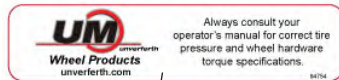
ITEM	PART NUMBER	DESCRIPTION	40' TOOLBAR		60' TOOLBAR		66' TOOLBAR		NOTES		
			QTY BY ROW SPACING								
			20" DUALS	30" DUALS	30" SINGLE	20" DUALS	30" DUALS	30" SINGLE		22" DUALS	
1	17142SM	10 x 50 Wheel w/8.00" Outset	4	-	-	4	-	-	4		
	17142SM/9501538	Wheel & Tire Assembly	4	-	-	4	-	-	4		
2	16366SM	13 x 46 Wheel w/10.00" Outset	-	2	-	-	2	-	-		
	16366SM/902519	Wheel & Tire Assembly	-	2	-	-	2	-	-	Inside Dual Tires	
3	16477SM	13 x 46 Wheel w/5.00" Outset	-	2	2	-	2	2	-		
	16477SM/902519	Wheel & Tire Assembly	-	2	2	-	2	2	-	380/90X46 R-1W (159A8/156B) Outside Dual Tires	
4	110301SM	15 x 50 Wheel w/5.50" Outset	-	-	2	-	-	2	-		
	110301SM/902535	Wheel & Tire Assembly	-	-	2	-	-	2	-	480/80X50 R-1W (159A8)	
5	110368B	4" 10 Bolt Hub Extension w/Hdwr.	2	-	-	2	-	-	-		
6	17540B	6" 10 Bolt Hub Extension w/Hdwr.	-	-	-	-	-	-	2		
7	17043B	15" 10 Bolt Hub Extension w/Hdwr.	-	2	-	-	2	-	-		
8	14442SM	Reinforcing Ring 15.50" Dia.	-	-	2	-	-	2	-		
9	10041	Guide Pin .625" Dia. x 2.625	4	-	4	4	-	4	-		
	19293	Guide Pin .625" Dia. x 3.125	-	8	-	-	8	-	8		
10	96780	Capscrew 7/8-14UNF x 3 (Grade 8)	-	-	-	-	-	-	20		
	97042	Capscrew 7/8-14UNF x 3 1/2 (Grade 8)	-	-	20	-	-	20	-		
	97043	Capscrew 7/8-14UNF x 4 (Grade 8)	20	20	-	20	20	-	-		
11	97041	Flat Washer 7/8"	20	>	>	>	>	>	>		
12	93300	Valve Stem	4	-	4	4	-	4	4		
	PF1230-96SS	Valve Stem (SS)	-	4	-	-	4	-	-		
13	901207	Valve Stem Adapter	4	>	>	>	>	>	>		
14	94754	Decal, UM Wheel Systems	4	>	2	4	>	2	4		

Wheel & Tire 2600 Gallon Components

Please visit www.unverferth.com/parts/ for the most current parts listing.

TIRES

For questions regarding new tire warranty, please contact your local original equipment tire dealer. Used tires carry no warranty. Tire manufacturers' phone numbers and websites are listed in Maintenance Section for your convenience.



1800 & 2600 NutriMax Liquid Applicator — Parts

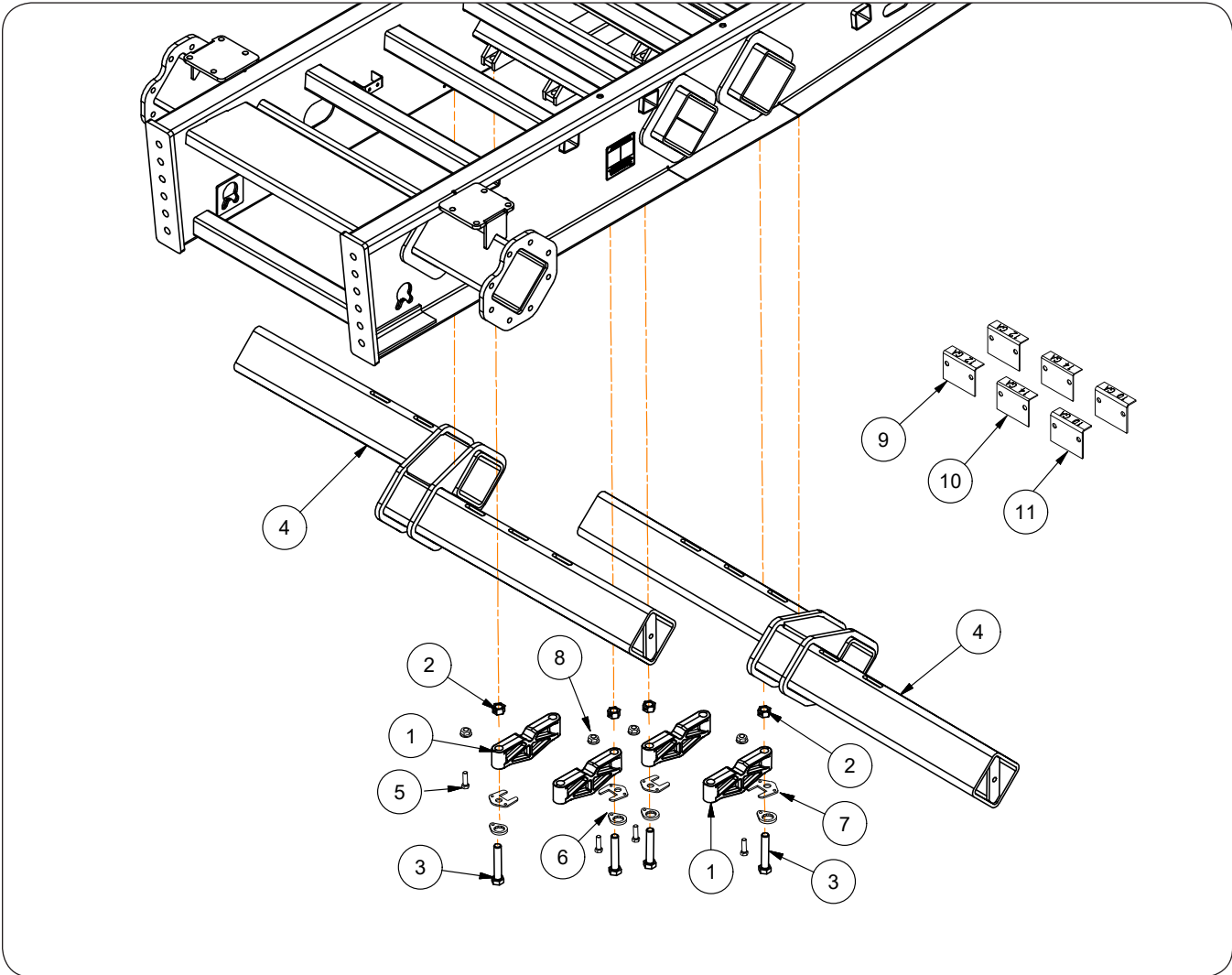
Wheel & Tire 2600 Gallon Components

Please visit www.unverferth.com/parts/ for the most current parts listing.

ITEM	PART NUMBER	DESCRIPTION	60' TOOLBAR		66' TOOLBAR		80' TOOLBAR		88' TOOLBAR		90' TOOLBAR		NOTES		
			QTY BY ROW SPACING												
			20" DUALS	30" DUALS	22" DUALS	20" DUALS	30" DUALS	22" DUALS	30" DUALS						
1	12782SM	10 x 54 Wheel w/7.25" Outset	4	-	4	4	-	-	-	-	-	-			
	12782SM/9501415	Wheel & Tire Assembly	4	-	4	4	-	-	-	-	-	-			
2	17075SM	12 x 54 Wheel w/8.00" Outset	-	4	-	-	4	4	4	4	4	4			
	17075SM/9501418	Wheel & Tire Assembly	-	4	-	-	4	4	4	4	4	4			
3	17540B	6" 10 Bolt Hub Extension w/Hardware	2	-	-	2	-	-	-	-	-	-			
4	16986B	8" 10 Bolt Hub Extension w/Hardware	-	-	2	-	-	-	-	-	-	-			
5	16967B	13" 10 Bolt Hub Extension w/Hardware	-	2	-	-	2	-	-	-	2	2			
6	19242B	28" 10 Bolt Hub Extension w/Hardware	-	-	-	-	-	-	2	-	-	-			
7	10041	Guide Pin .625" Dia. x 2.625	-	-	-	-	-	-	8	-	-	-			
	19293	Guide Pin .625" Dia. x 3.125	8	8	8	8	8	8	-	-	8	8			
8	96780	Capscrew 7/8-14UNF x 3 (Grade 8)	20	-	-	20	-	-	-	-	-	-			
	97042	Capscrew 7/8-14UNF x 3 1/2 (Grade 8)	-	-	-	-	-	-	20	-	-	-			
	97043	Capscrew 7/8-14UNF x 4 (Grade 8)	-	20	20	-	20	-	-	-	20	20			
9	97041	Flat Washer 7/8"	20	>	>	>	>	>	>	>	>	>			
10	93300	Valve Stem	4	>	>	>	>	>	>	>	>	>			
11	901207	Valve Stem Adapter	4	>	>	>	>	>	>	>	>	>			
12	94754	Decal, UM Wheel Systems	4	>	>	>	>	>	>	>	>	>			

Track Axle Components

Please visit www.unverferth.com/parts/ for the most current parts listing.



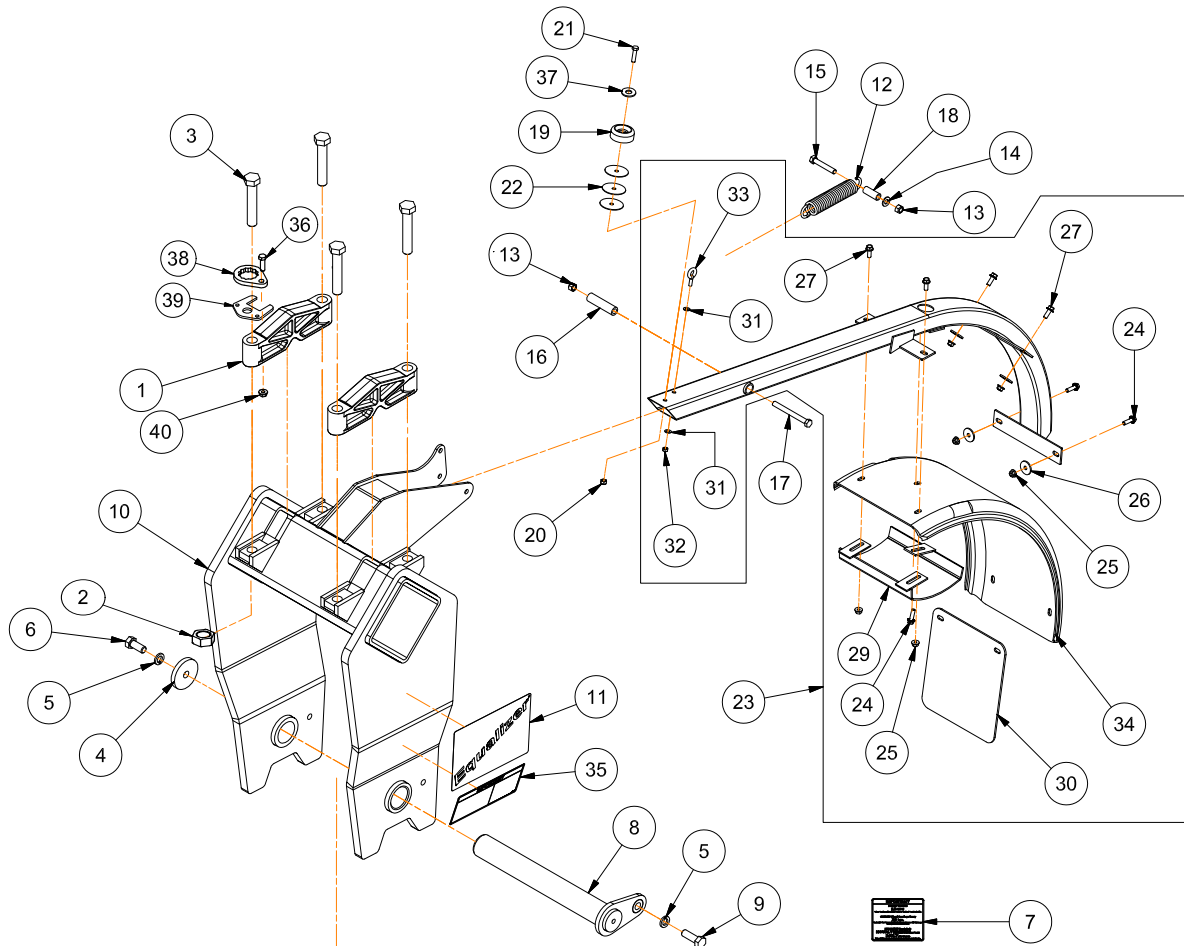
Track Axle Components

Please visit www.unverferth.com/parts/ for the most current parts listing.

ITEM	PART NUMBER	DESCRIPTION	QTY	NOTES
1	404785B	Axle Clamp =Black=	4	
2	9394-020	Hex Nut, 1-8UNC Grade 5	8	
3	9390-194	Capscrew 1-8UNC x 5 1/2 (Grade 5)	8	
4	410845B	Axle Weldment =Black=	2	60'/66' Toolbars
	411783B			80'/88'/90' Toolbars
5	9390-056	Capscrew, 3/8-16UNC x 1 1/4 Grade 5	8	
6	413570B	Bolt Retainer Plate	8	
7	413569B	Bolt Retainer Plate	8	
8	9003396	Locknut, 3/8-16UNC Grade F	8	
9	411098B	12 Gauge Shim =Black=	2	
10	411103B	14 Gauge Shim =Black=	2	
11	411105B	10 Gauge Shim =Black=	2	

Track Mounting & Fender Components

Please visit www.unverferth.com/parts/ for the most current parts listing.



NOTE: Refer to track manual for individual track components.

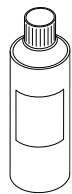
Track Mounting & Fender Components

Please visit www.unverferth.com/parts/ for the most current parts listing.

ITEM	PART NUMBER	DESCRIPTION	QTY	NOTES
1	404785B	Clamp-Axle (Black)	4	
2	9394-020	Hex Nut, 1-8UNC Grade 5	8	
3	9390-194	Capscrew 1-8UNC x 5 1/2	8	
4	408646	Plate-Pin Retainer	2	
5	9404-033	Lockwasher 3/4	4	
6	9390-144	Capscrew 3/4-10UNC x 1 3/4	2	
7	9007523	Decal-Track Guidelines	2	
8	411223	Pivot Pin Weldment	2	
9	9390-146	Capscrew 3/4-10UNC x 2 1/4	2	
10	411237B	Track Fork Weldment (Black)	2	
11	9007564	Decal-Equalizer	2	
12	9004436	Spring-Extension	2	
13	9800	Locknut 1/2-13UNC	4	
14	9405-085	Flatwasher 1/2 SAE	2	
15	9390-107	Capscrew 1/2-13UNC x 3	2	
16	411083	Bushing, 1D x 9/16D x 3 11/16	2	
17	9390-113	Capscrew 1/2-13UNC x 5	2	
18	285290	Bushing-Sleeve	2	
19	9004389	Recessed Bumper	2	
20	9928	Locknut 3/8-16UNC	2	
21	9390-057	Capscrew 3/8-16UNC x 1 1/2	2	
22	9004497	Fender Washer (Stainless Steel)	6	
23	415537B	Fender Assembly (Black)	2	
24	9003259	Flange Screw 3/8-16UNC x 1 1/4	3	
25	9003396	Automation Locknut	7	
26	9005696	Washer-Fender 3/8	4	
27	91262	Flange Screw 3/8-16UNC x 1	4	
28	411087B	Tube-Main Support Weldment (Black)	1	
29	411100B	Fender Bumper Weldment (Black)	1	
30	9009319	Flap-Mud	1	
31	9405-068	Flatwasher 5/16 SAE	2	
32	9807	Locknut 5/16-18UNC	1	
33	9001144	Eyebolt	1	
34	9009315	Fender 18 1/2W x 28 1/32H	1	
35	9007616	Decal-Important, Track Grease	2	
36	9390-056	Capscrew, 3/8-16UNC x 1 1/4 Grade 5	8	
37	9405-076	Flat Washer, 3/8"	2	
38	413570B	Bolt Retainer Plate	8	
39	413569B	Bolt Retainer Plate	8	
40	9003396	Locknut, 3/8-16UNC Grade F	8	

Touch-Up Paint

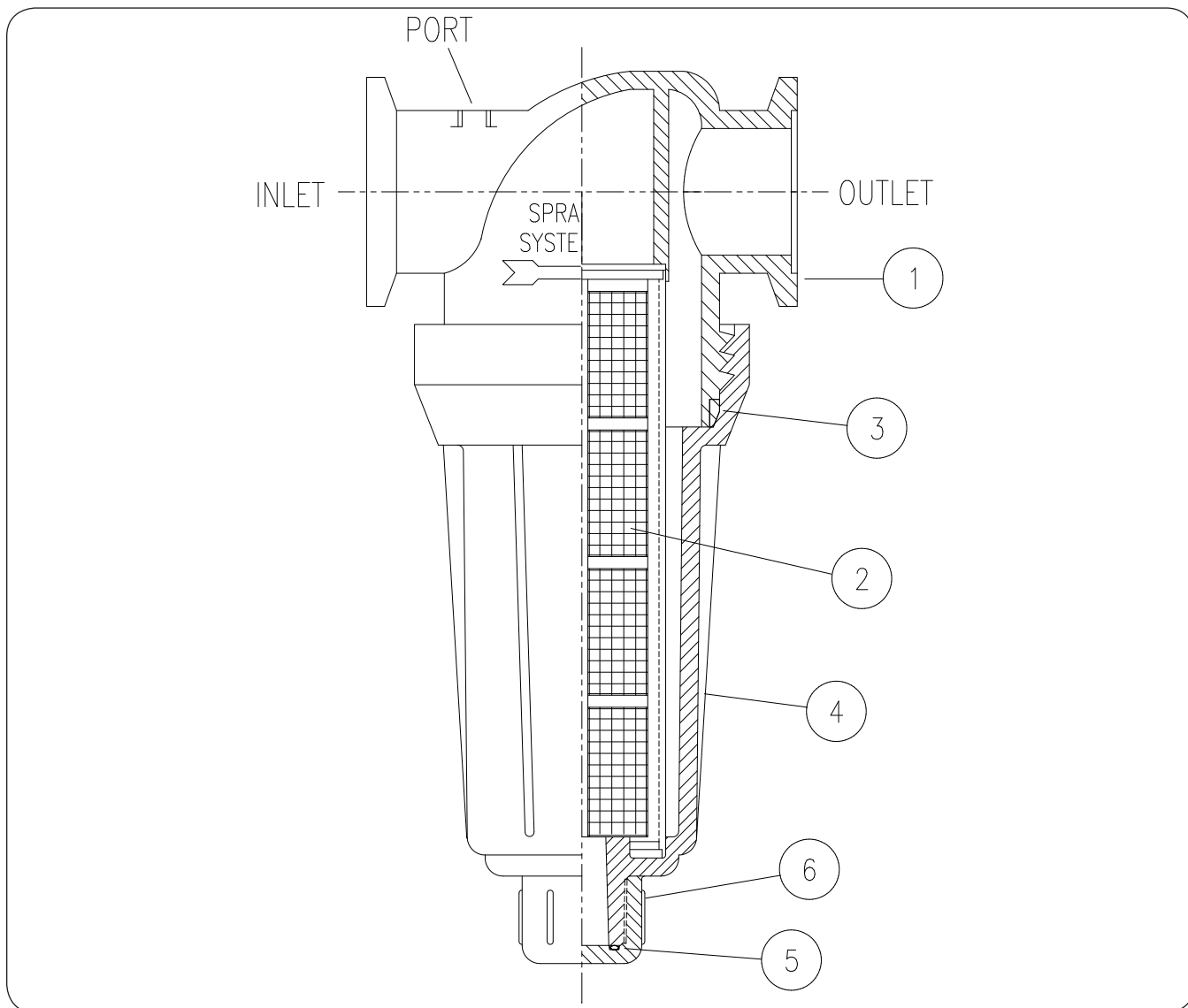
Please visit www.unverferth.com/parts/ for the most current parts listing.



PAIN	SPRAY
Silver Mist	97012
Black	97013
Green	97015
Red	97301

Strainer

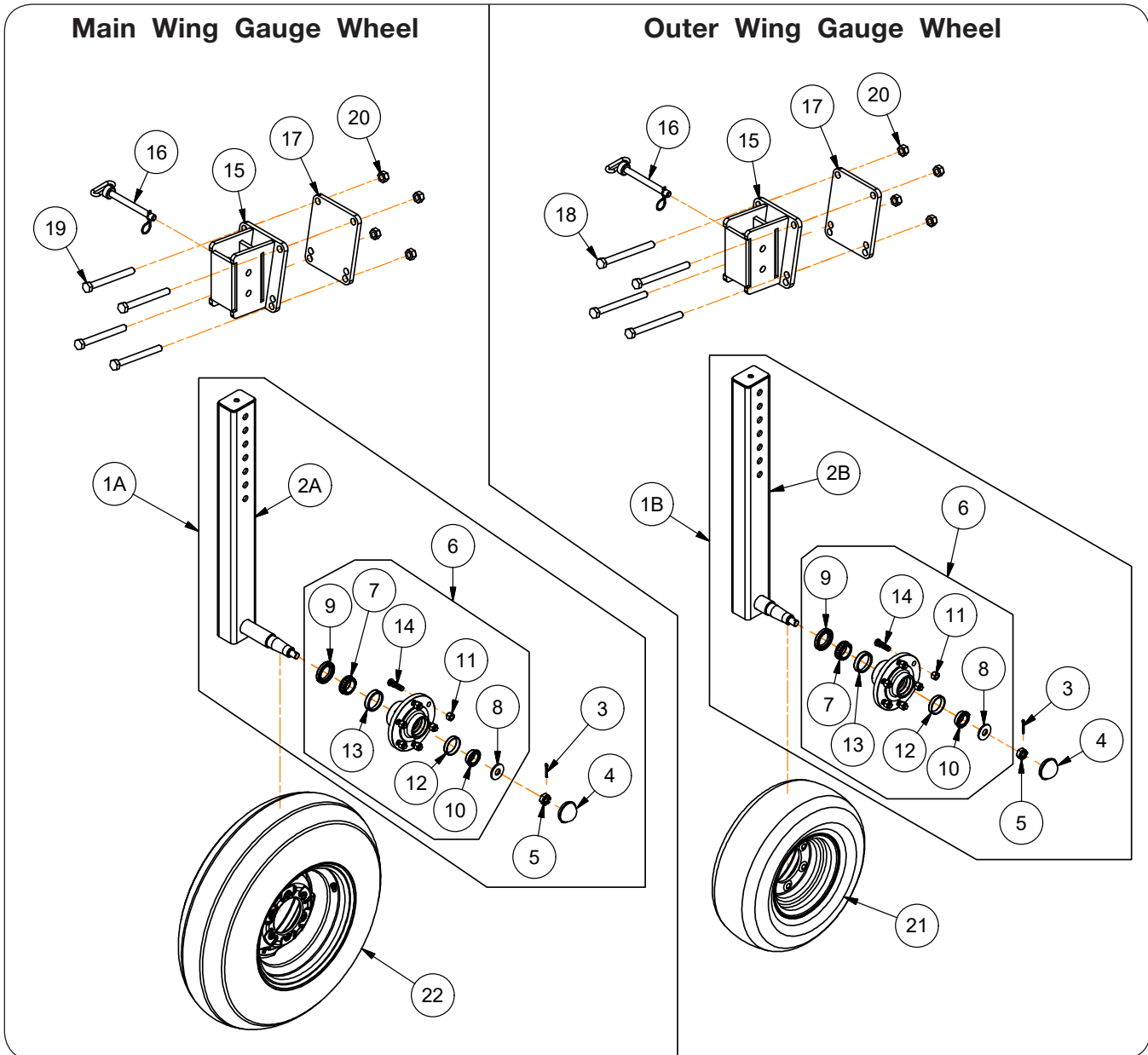
Please visit www.unverferth.com/parts/ for the most current parts listing.



ITEM	DESCRIPTION	PART NO.		QTY.	NOTES
		With Standard Port	With Inlet Port		
	Strainer Complete	TA855650	402255	1	2" Flange
1	Strainer Head	TA868841	403257	1	
2	Screen, 50 Mesh (Gentain Blue)	TA869070	>	1	
3	Gasket, EPDM	TA867486	>	1	
4	Bowl, Polypropylene	TA868842	>	1	
5	O-Ring, Viton	TA868843	>	1	
6	Cap, Polypropylene	TA868844	>	1	

Gauge Wheel Components

Please visit www.unverferth.com/parts/ for the most current parts listing.



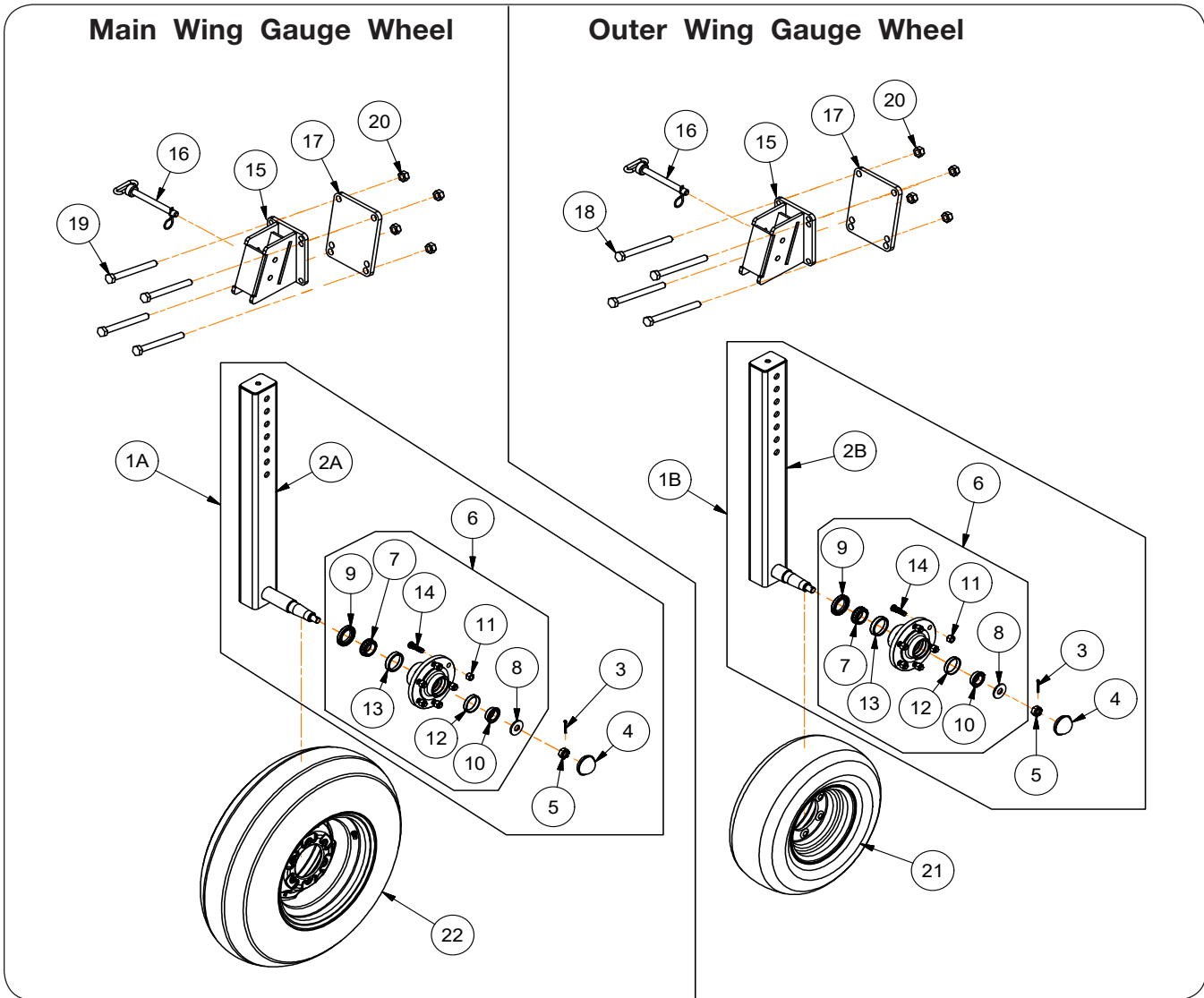
Gauge Wheel Components

Please visit www.unverferth.com/parts/ for the most current parts listing.

ITEM	PART NUMBER	DESCRIPTION	QTY	NOTES
1A	410014B	Main Wing Gauge Wheel Assembly (Black)	2	
1B	411261B	Outer Wing Gauge Wheel Assembly (Black)	2	
2A	410015B	Main Wing Gauge Wheel Post Weldment (Black)	1	
2B	411262B	Outer Wing Gauge Wheel Post Weldment (Black)	1	
3	9391-035	Cotter Pin 5/32" Dia. x 1 1/2	1	
4	9162	Hub Cap	1	
5	9393-016	Slotted Nut 3/4-16UNF	1	Grade 2
6	9500002B	Hub 6 Bolt Assembly Complete	1	
7	9166	Bearing Cone #LM29749	1	
8	9234	Flat Washer 13/16" (Hardened)	1	
9	9168	Seal #17617	1	
10	9165	Bearing Cone #LM67048	1	
11	9348	Beveled Nut 1/2-20UNF	6	
12	9345	Bearing Cup #LM67010	1	
13	9346	Bearing Cup #LM29710	1	
14	9347	Stud Bolt 1/2-20UNF x 1 7/8	6	
15	410020B	Gauge Wheel Mount Weldment (Black)	4	
16	95958	Hitch Pin w/Hairpin Cotter	4	
17	410397B	Mounting Plate (Black)	4	
18	9501438-448	Capscrew 3/4-10UNC x 8 1/2 (Black)	8	
19	9501438-160	Capscrew 3/4-10UNC x 7 1/2 (Black)	8	
20	9501443-037	Locknut 3/4-10UNC	16	
21	95567SM	Mounted Tire & Wheel - W610-6	2	For 60' / 66' Toolbars
	81145SM	Mounted Tire & Wheel - W615-6	2	For 80' / 90' Toolbars
22	60911SM	Mounted Tire & Wheel - W815-6-08	2	For 60' / 66' Toolbars
	17186SM	Mounted Tire & Wheel - W815	2	For 80' / 90' Toolbars

Double Coulter Gauge Wheel Components

Please visit www.unverferth.com/parts/ for the most current parts listing.



Double Coulter Gauge Wheel Components

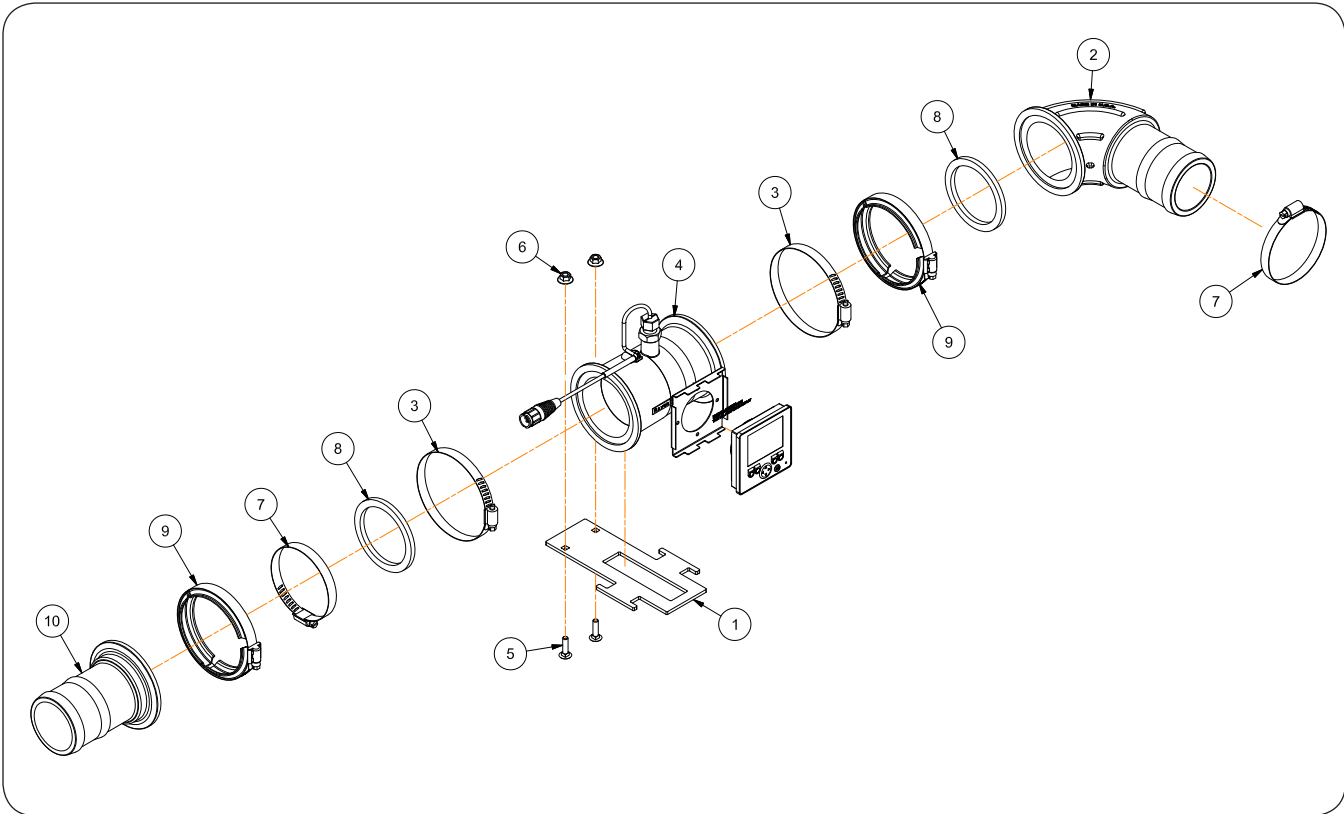
Please visit www.unverferth.com/parts/ for the most current parts listing.

ITEM	PART NUMBER	DESCRIPTION	QTY	NOTES
			60' Toolbar	
1A	410014B	Main Wing Gauge Wheel Assembly (Black)	2	
1B	411261B	Outer Wing Gauge Wheel Assembly (Black)	2	
2A	410015B	Main Wing Gauge Wheel Post Weldment (Black)	1	
2B	411262B	Outer Wing Gauge Wheel Post Weldment (Black)	1	
3	9391-035	Cotter Pin 5/32" Dia. x 1 1/2	1	
4	9162	Hub Cap	1	
5	9393-016	Slotted Nut 3/4-16UNF	1	Grade 2
6	9768B	Hub 6 Bolt Assembly Complete	1	
7	9166	Bearing Cone #LM29749	1	
8	9234	Flat Washer 13/16" (Hardened)	1	
9	9168	Seal #17617	1	
10	9165	Bearing Cone #LM67048	1	
11	9348	Beveled Nut 1/2-20UNF	6	
12	9345	Bearing Cup #LM67010	1	
13	9346	Bearing Cup #LM29710	1	
14	9347	Stud Bolt 1/2-20UNF x 1 7/8	6	
15	414042B	Double Coulter Gauge Wheel Mount Weldment (Black)	4	
16	95958	Hitch Pin w/Hairpin Cotter	4	
17	410397B	Mounting Plate (Black)	4	
18	9501438-448	Capscrew 3/4-10UNC x 8 1/2 (Black)	8	
19	9501438-160	Capscrew 3/4-10UNC x 7 1/2 (Black)	8	
20	9501443-037	Locknut 3/4-10UNC	16	
21	95567SM	Mounted Tire & Wheel - W610-6	2	
22	60911SM	Mounted Tire & Wheel - W815-6-08	2	

1800 & 2600 NutriMax Liquid Applicator — Parts

Tank Fill Kit - RAVEN ISO Only

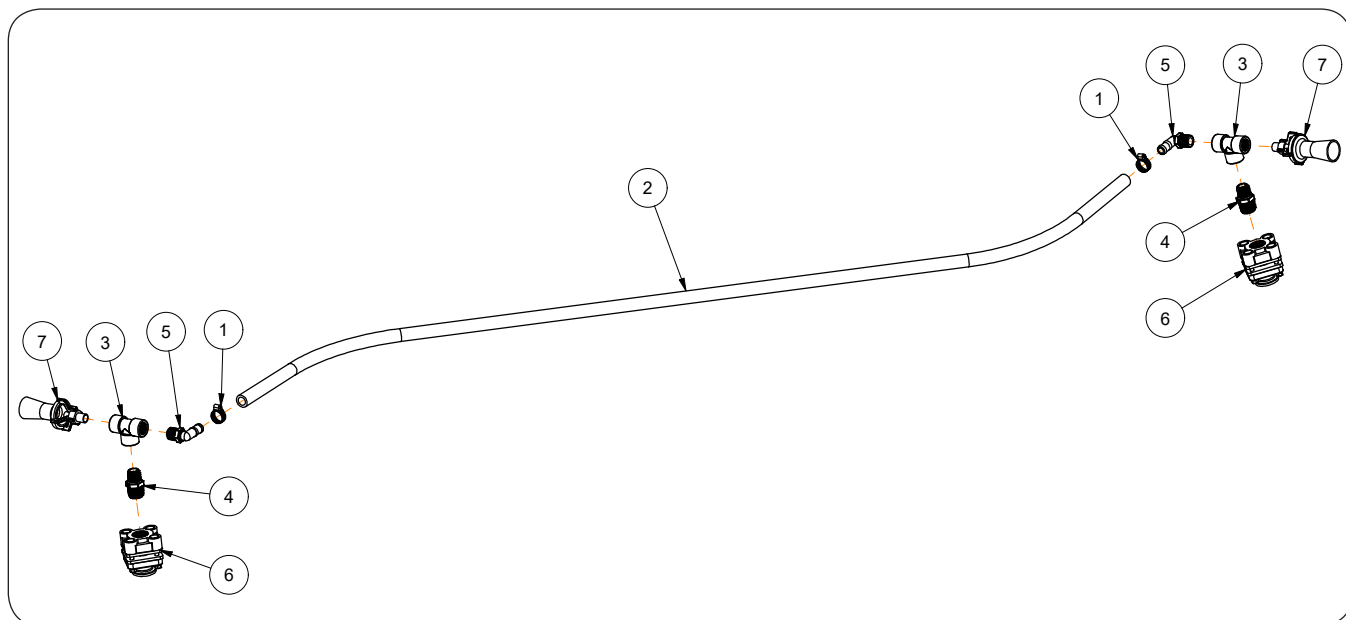
Please visit www.unverferth.com/parts/ for the most current parts listing.



ITEM	PART NUMBER	DESCRIPTION	QTY	NOTES
1	410423B	Flow Meter Plate Bracket, =Black=	1	
2	9007117	Elbow, 3" Flange x 3" Hose Barb	1	
3	9007462	Hose Clamp, 4 1/2" Dia. x 1/2" (SS)	2	
4	9007752	Raven ISO Tank Fill Kit	1	
5	9388-003	Carriage Bolt, 1/4-20UNC x 1 Gr.5	2	
6	97189	Large Flange Hex Nut, 1/4-20UNC	2	
7	TA800926	Hose Clamp WORM DRIVE (SS) SC-52	2	
8	TA816038	Gasket, 3"	2	
9	TA816039	Flange Clamp, 3"	2	
10	TA816047	Hose Barb, 3" Flange x 3" Straight	1	

Agitation Plumbing Components

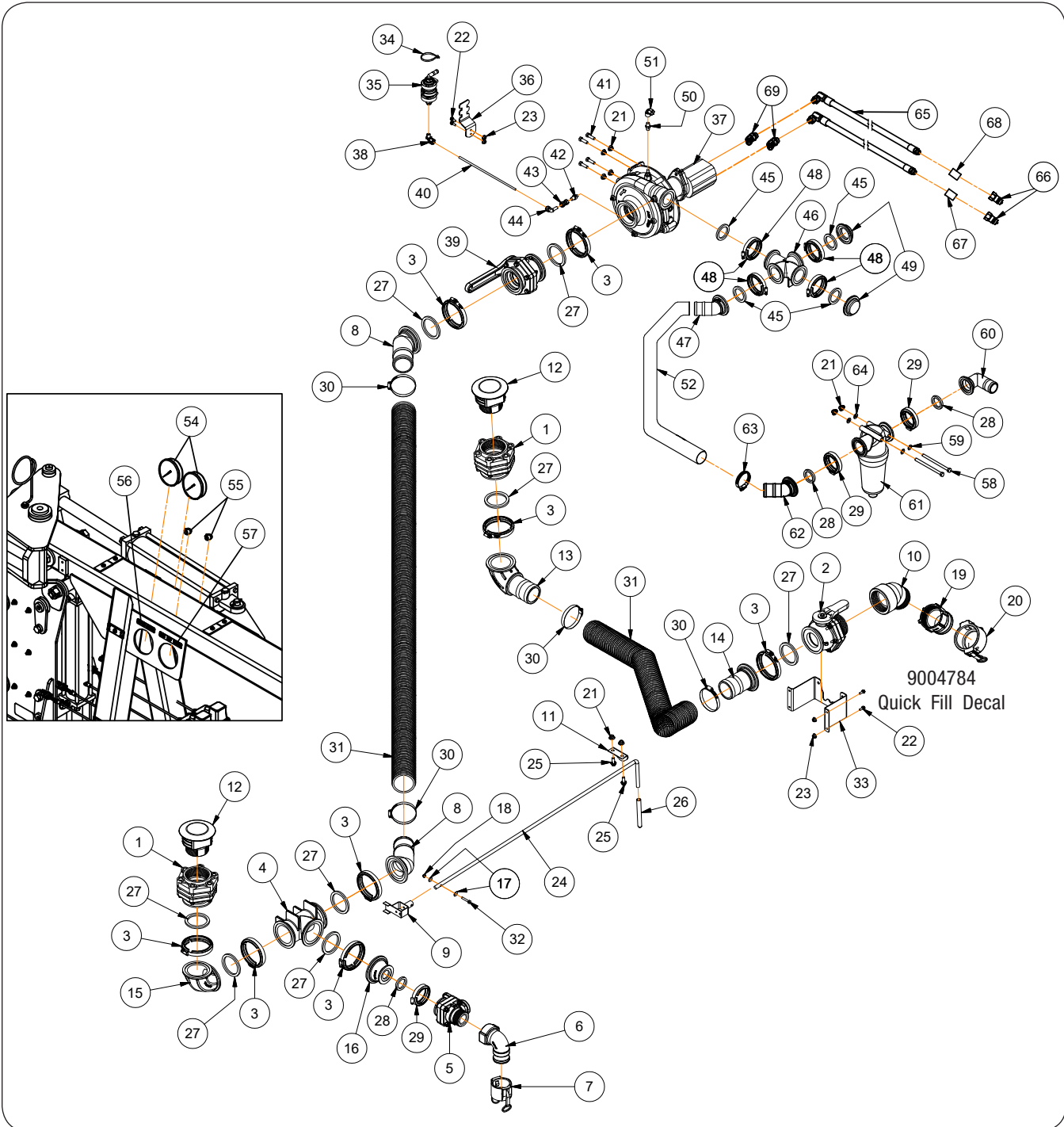
Please visit www.unverferth.com/parts/ for the most current parts listing.



ITEM	DESCRIPTION	PART NO.	QTY	NOTES
1	Hose Clamp 1/2"	TA800910	2	
2	3/4" EPDM Hose	TA806250	8	Specify in Feet
3	Tee Poly 3/4" NPTF x 3/4" NPTF X 3/4" NPTF	TA814781	2	
4	Reducer Nipple, 1" x 3/4" NPTM	TA814815	2	
5	90° Elbow 3/4" NPTM x 3/4" Hose Barb	TA814961	2	
6	4-Bolt Tank Fitting 1" Standard Flange	TA815077	2	
7	Agitation Nozzle, 3/4" MPT	TA816012	2	

Undercarriage Plumbing Components

Please visit www.unverferth.com/parts/ for the most current parts listing.



1800 & 2600 NutriMax Liquid Applicator — Parts

Undercarriage Plumbing Components

Please visit www.unverferth.com/parts/ for the most current parts listing.

ITEM	PART NUMBER	DESCRIPTION	QTY	NOTES
1	TA816042	Tank Flange 3" Manifold	2	
2	TA816041	Ball Valve Poly 3" Flange x 3" NPT Adapter	1	
3	TA816039	3" Flange Worm Screw Clamp	8	
4	TA816051	Tee 3" Flange x 3" Flange x 3" Flange	1	
5	TA816022	Stubby Valve 2" Flange x 2" MPT	1	
6	TA811828	90° Elbow Poly Coupling 2" Male Adapter x 2" NPTF Female	1	
7	TA811500	Cap Coupler Poly 2"	1	
8	TA816047	Adapter 3" Flange x 3" Hose Barb	2	For SN B41310100 & Higher For SN B41310099 & Lower
	9005528	45° Elbow Poly 3" Flange x 3" Hose Barb		
9	402611B	Handle Weldment =Black=	1	
10	TA814730	45° Elbow Poly 3" MPT x 3" FPT	1	
11	402635B	Handle Bracket =Black=	1	
12	TA816053	Plug 3" Anti-Vortex	2	
13	9007117	90° Elbow Sweep Poly 3" Flange x 3" Hose Barb	1	
14	TA816047	Hose Barb 3" Flange x 3" Hose Shank	1	
15	9007195	90° Elbow Sweep Poly 3" Flange x 3" Flange	1	
16	9007201	Coupler-Reducer 3" Flange x 2" Flange	1	
17	9405-064	Flat Washer 1/4" USS	2	
18	9936	Locknut 1/4-20UNC	1	
19	TA811810	Poly Fitting 3" Male Quick Coupler x 3" FPT	1	
20	TA811816	Cap Poly 3" Female Quick Coupler	1	
21	91263	Nut/Large Flange 3/8-16UNC	8	
22	97420	Flange Screw 1/4-20UNC x 3/4 (Grade 5)	4	
23	97189	Hex Nut/Large Flange 1/4-20UNC	4	
24	410208B	Valve Dump Handle =Black=	1	
25	91262	Flange Screw 3/8-16UNC x 1 (Grade 5)	6	
26	9004015	Yellow Grip	1	
27	TA816038	Gasket 3" EPDM	8	
28	TA811944	Gasket 1 5/8" EPDM	3	
29	TA815025	2" Flange Worm Screw Clamp	3	
30	TA800926	Hose Clamp, Worm Drive (SC-52)	4	
31	TA806334	Fertilizer Hose 3"	6	
32	9390-007	Capscrew 1/4-20UNC x 1 1/2 (Grade 5)	1	
33	410419B	Valve Bracket =Black=	1	
34	9000107	Cable Tie	2	
35	411078	Air Vent Assembly	1	
36	412062B	Vent Bracket Plate =Black=	1	
37	9008132	750 PWM Pump	1	
38	TA720802	90° Elbow 1/4" NPT x 1/4" Gauge Tube	1	
39	9007196	Stubby Valve 3" Flange x 3" Flange	1	
40	TA720620	Gauge Tubing 1/4" Dia. (Specify by Feet)	1	
41	9390-056	Capscrew 3/8-16UNC x 1 1/4 (Grade 5)	4	
42	9007182	Nipple Hex 1/4" NPT to 1/8" NPT	1	
43	9007341	Plastic Push-In Fitting 3/8" Push to Connect x 1/4" FNPT	1	
44	9005205	90° Elbow 3/8" Push Lock x 3/8" Stem	1	
45	TA816001	Gasket 2" Full Port Flange EPDM	4	
46	9007194	2" Full Port Flange Cross	1	
47	9005845	45° Elbow 2" Flange x 2" Hose Barb	1	
48	TA816000	Clamp 2" Full Port Flange	4	
49	TA816013	Manifold Plug 2" Full Port Flange	2	
50	TA809325	1/4" Hex Pipe Nipple	1	
51	TA720812	90° Elbow 1/4" FPT x 1/4" Tube	1	
52	TA806328	Hose 2" EPDM	15 Ft.	
53	412333B	Strainer Bracket Weldment =Black=	1	Not Shown
54	9007569	Pressure Gauge	2	
55	TA720812	Elbow, 1/4 FPT x 1/4 TUBE	2	
56	9007760	Decal, Manifold Pressure	1	
57	9003687	Decal, Filter Inlet Pressure	1	

(continued on next page)

1800 & 2600 NutriMax Liquid Applicator — Parts

Undercarriage Plumbing Components (Continued)

Please visit www.unverferth.com/parts/ for the most current parts listing.

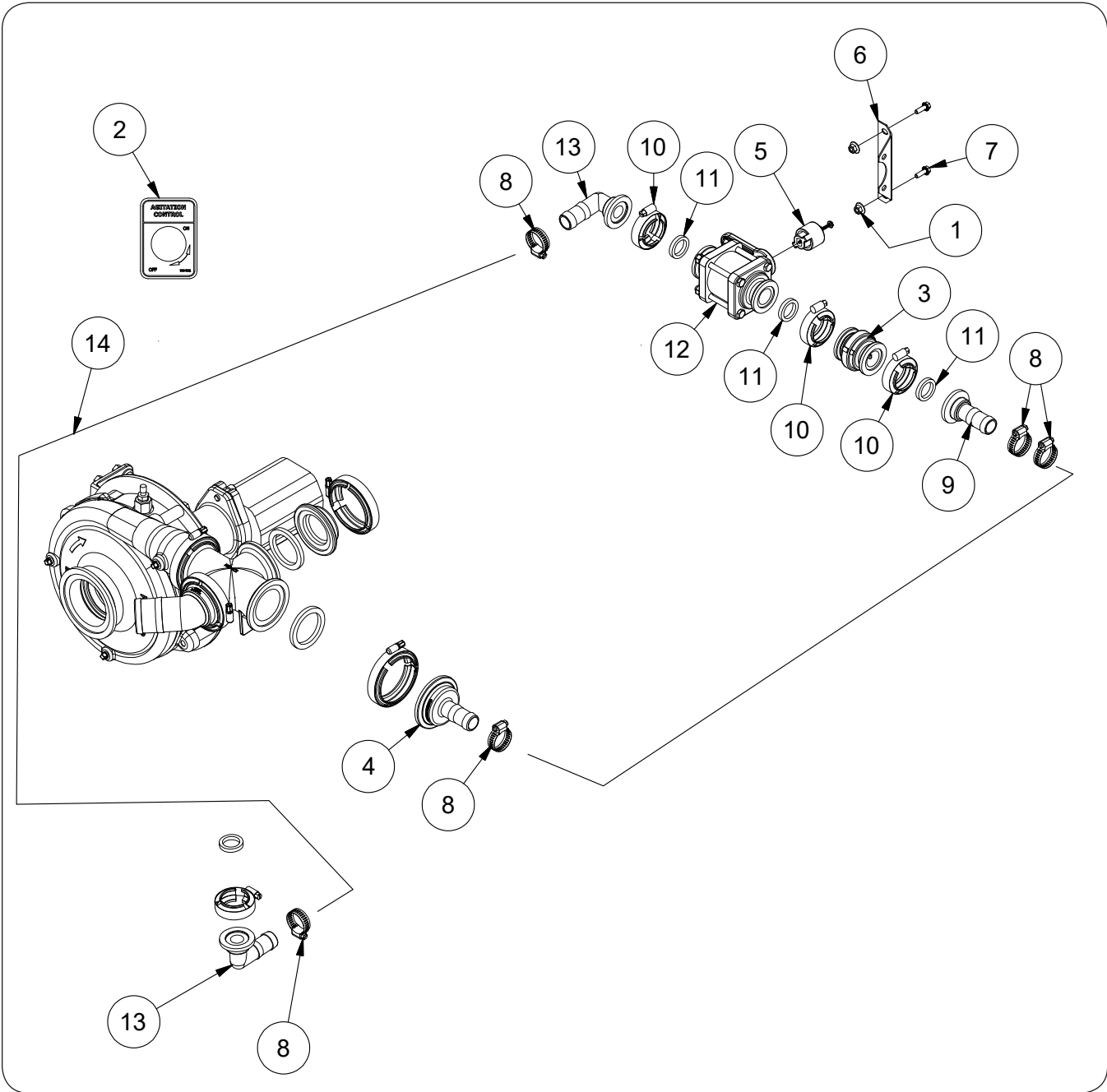
ITEM	PART NUMBER	DESCRIPTION	QTY	NOTES
58	9390-070	Capscrew, 3/8-16UNC x 5 1/2	2	
59	9405-074	Flat Washer, 3/8"	2	
60	TA815021	90° Elbow, 2" Flange x 2" Hose Barb	1	
61	TA855650	Strainer - 2"	1	
62	9005587	45° Elbow 2" Flange x 2" Hose Barb	1	
63	TA800922	Worm Drive Hose Clamp	2	
64	9405-076	Flat Washer, 3/8"	2	
65	9009301	Hyd. Hose 3/4" x 396" 7/8-14 JIC Female 90° x 7/8-14 O-RM	2	For SN B41810100 & Higher
	415538B	Hyd. Pump Hose Replacement Kit (Black)		For SN B41810099 & Lower
66	91383	Male Tip Coupling 3/4-16 JIC	2	For 1/2" Hose
	95477	Male Tip Coupling 7/8-14 O-RF		For 3/4" Hose
67	9003935	Hose Marker-Solution Pump Pressure (Yellow)	1	For 1/2" Hose
	9009304			For SN B41810099 & Lower For 3/4" Hose For SN B41810100 & Higher
68	9003936	Hose Marker-Solution Pump Return (Yellow)	1	For 1/2" Hose
	9009305			For SN B41810099 & Lower For 3/4" Hose For SN B41810100 & Higher
69	9502614	45° Elbow 7/8-14 JIC Male x 7/8-14 Adj. O-RM	2	

Notes

Please visit www.unverferth.com/parts/ for the most current parts listing.

Inductor Plumbing Components

Please visit www.unverferth.com/parts/ for the most current parts listing.



Inductor Plumbing Components

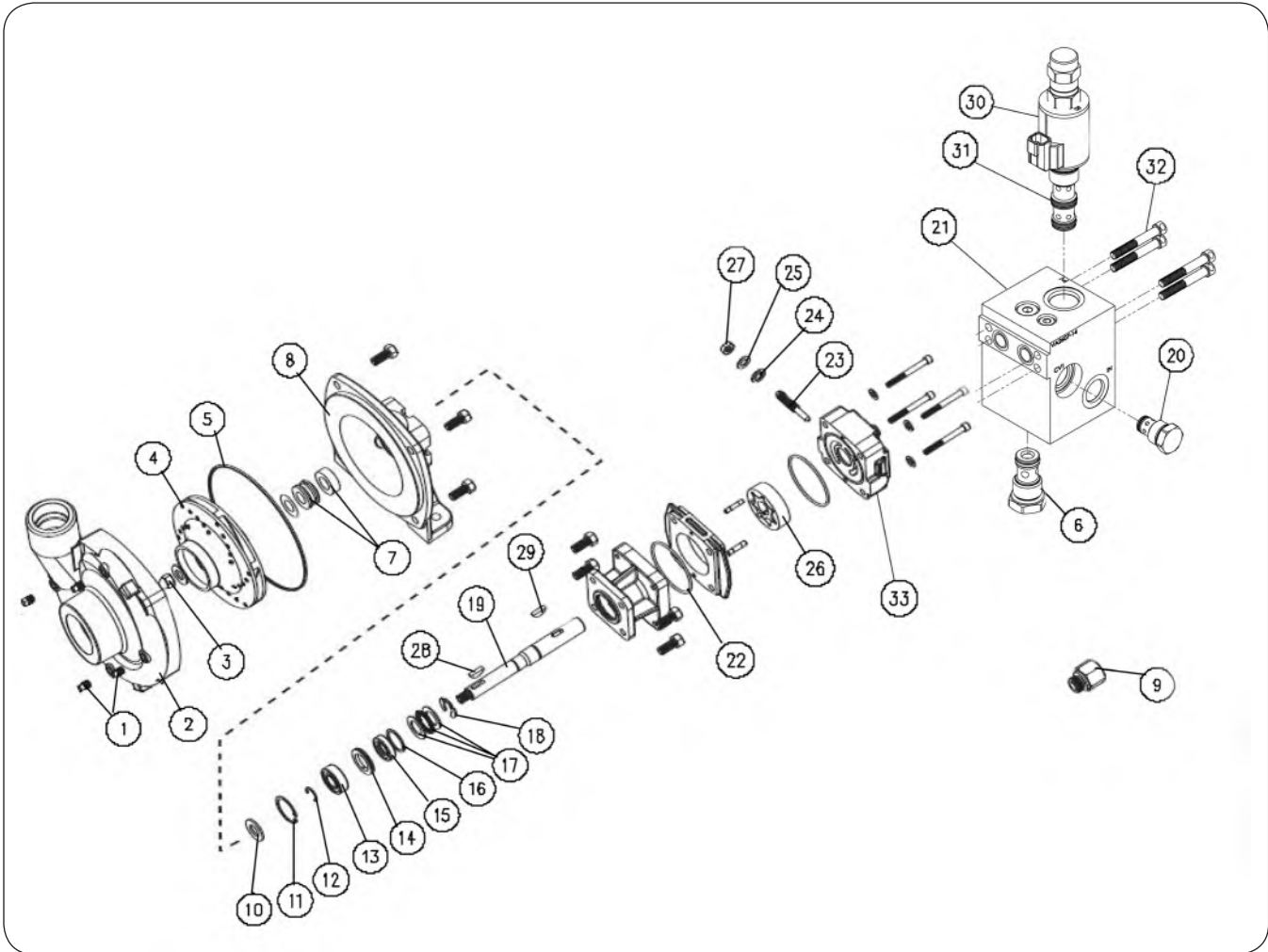
Please visit www.unverferth.com/parts/ for the most current parts listing.

ITEM	DESCRIPTION	PART NO.	QTY	NOTES
1	Large Flange Nut 1/4-20UNC	97189	2	
2	Decal, Agitation Control	9004361	1	
3	Check Valve 1" Flange	9006665	1	
4	Adapter 2" Full Port Flange x 1" Hose Barb	9007335	1	
5	Handle Riser w/Screw	9007360	1	
6	Inductor Valve Bracket	TA620369B	1	
7	Flange Screw 1/4-20UNC x 3/4	97420	2	
8	Hose Clamp SAE #16	TA800912	5	
9	Adapter 1" Flange x 1" Hose Barb	TA815013	2	
10	Clamp 1" Worm Screw	TA815026	3	
11	Gasket/Flange 1"	TA815029	3	
12	Valve 1" Flange	TA815040	1	
13	90° Elbow 1" Flange x 1" Hose Barb	TA815018	2	
14	1" EPDM Hose	TA806275	4 Ft.	

1800 & 2600 NutriMax Liquid Applicator — Parts

Hydraulically Driven Centrifugal PWM Pump - HYPRO 9306C-HM1C

Please visit www.unverferth.com/parts/ for the most current parts listing.



1800 & 2600 NutriMax Liquid Applicator — Parts

Hydraulically Driven Centrifugal PWM Pump - HYPRO 9306C-HM1C

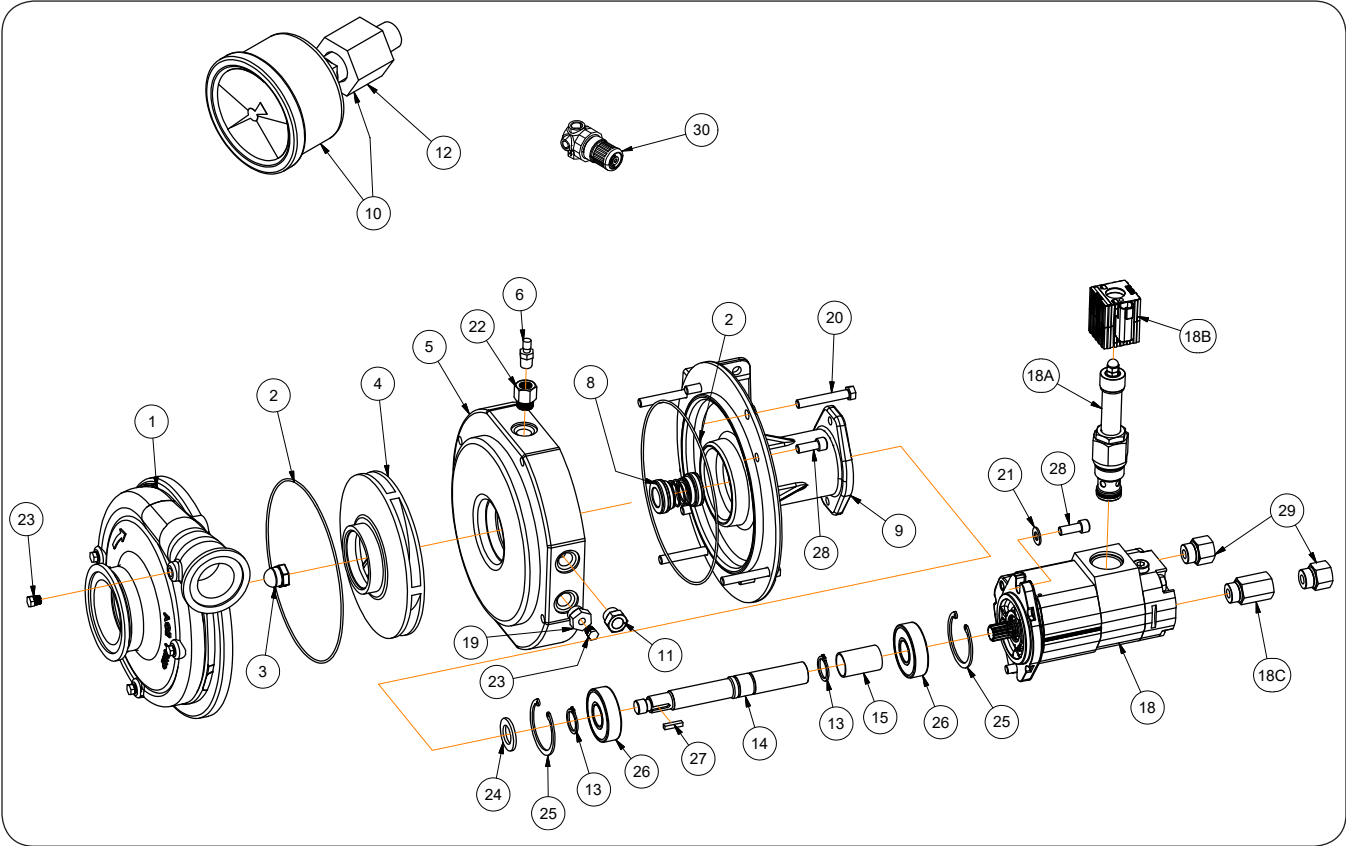
Please visit www.unverferth.com/parts/ for the most current parts listing.

ITEM	PART NUMBER	DESCRIPTION	QTY.	NOTES
	9007141	Pump Complete, Hypro 9306C-HM1C	1	Includes Items 1 thru 29
1	TA840300	Drain Vent Plug	4	
2	N/A	Pump Casing	1	
3	TA840101	Impeller Nut	1	
4	TA836050	Impeller	1	
5	TA838775	O-Ring	1	
6	9007536	Check Valve #12	1	
7	TA839575	Viton Seal	1	
8	TA837475	Mounting Flange	1	
9	98801	Port Adapter	2	
10	TA838300	Slinger Ring	1	
11	TA839125	Retaining Ring	1	
12	TA839050	Snap Ring	1	
13	TA839250	Ball Bearing	1	
14	TA838325	Spacer	1	
15	TA839450	Shaft Seal	1	
16	TA838350	Seal Spacer	1	
17	TA839350	Thrust Bearing Assembly	1	
18	TA839075	Snap Ring	1	
19	TA837050	Shaft, 7"	1	
20	9007537	Check Valve #10	1	
21	9007542	PWM Manifold Assembly	1	
22	TA838900	O-Ring	2	
23	TA840400	Bypass Adjusting Screw	1	
24	TA838700	Gasket	1	
25	TA840225	Washer	1	
26	TA841225	Gerotor	1	
27	TA840075	Lock Nut	1	
28	TA838625	Woodruff Key	1	
29	TA838650	Roll Pin	1	
30	9007540	PWM Valve Coil	1	
31	9007538	Proportional Cartridge Valve	1	
32	9007541	Capscrew	4	
33	9007535	Motor End Cover	1	

1800 & 2600 NutriMax Liquid Applicator — Parts

Hydraulically Driven Centrifugal PWM Pump - (ACE 755) (SS)

Please visit www.unverferth.com/parts/ for the most current parts listing.



1800 & 2600 NutriMax Liquid Applicator — Parts

Hydraulically Driven Centrifugal PWM Pump - (ACE 755) (SS)

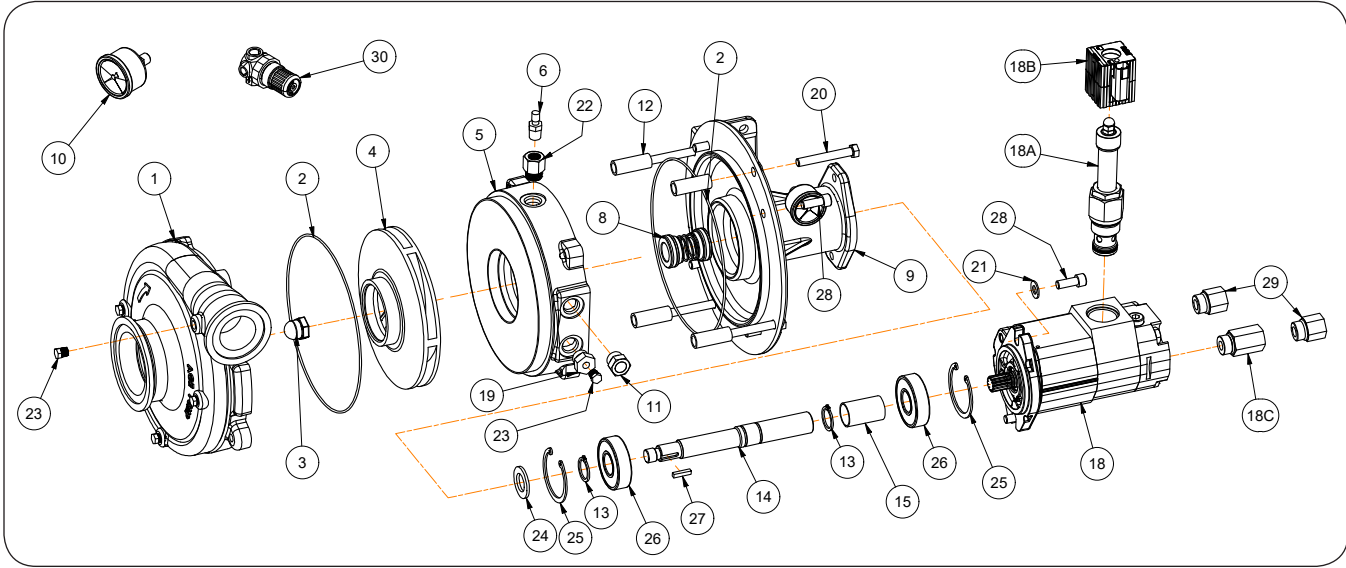
Please visit www.unverferth.com/parts/ for the most current parts listing.

ITEM	DESCRIPTION	PART NO.	QTY.	NOTES
	PWM Pump, 755 Stainless Steel	9008739	1	
	Pump Seal Repair Kit	9005519	-	Includes Items 2, 8, and 16
1	Volute, 300 x 220 Flange, Stainless Steel	9008855	1	
2	O-Ring	9005503	2	
3	Acorn Nut, 5/8-11 SS	9005504	1	
4	Impeller (SS)	9008856	1	
5	Seal Plate (SS)	9008853	1	
6	Air Valve, Clamp-In (for Tubeless Tire)	9005507	1	
7	Plug	9005508	1	Not Shown
8	Dual Seal Assembly	9005509	1	
9	Pump Mounting Frame	9005510	1	
10	Pump Pressure Gauge	9008866	1	
11	Oil Level Sight Gauge	9005512	1	
12	Adapter, 1/4 x 1/8 (SS)	9008860	1	
13	Snap Ring	9005514	2	
14	Pump Shaft	9005515	1	
15	Shaft Spacer	9005516	1	
16	Royal Purple Barrier Fluid (Quart)	9005518	1.32	Qty. in quarts
17	Pump Repair Kit	9005519	1	Not Shown
18	PWM Hydraulic Motor Assembly	9008148	1	
18A	Valve	9008228	1	
18B	Coil	9008229	1	
18C	Reverse Check Assembly	9007530	1	
19	Adapter Plug, 3/4 x 1/8 (SS)	9008257	1	
20	Capscrew, 3/8-16UNC x 2 1/2 (SS)	900900-061	4	
21	Flat Washer, 3/8 (SS)	900902-037	3	
22	Adapter, 3/4 x 1/4	99928	1	
23	ACE Pipe Plug (SS)	TA826325	5	
24	Slinger, 7/8" Shaft	TA831022	1	
25	Snap Ring	TA831024	2	
26	Bearing	TA831026	2	
27	Key, .188 x .188 x .875	TA831030	1	
28	Capscrew, 3/8"NC x 1	TA831034	6	
29	Reducer 7/8-14 O-Ring Male x 3/4-16 O-Ring Female	98801	2	
30	Air Regulator	9006050	1	

1800 & 2600 NutriMax Liquid Applicator — Parts

Hydraulically Driven Centrifugal PWM Pump - (ACE 750)

Please visit www.unverferth.com/parts/ for the most current parts listing.



1800 & 2600 NutriMax Liquid Applicator — Parts

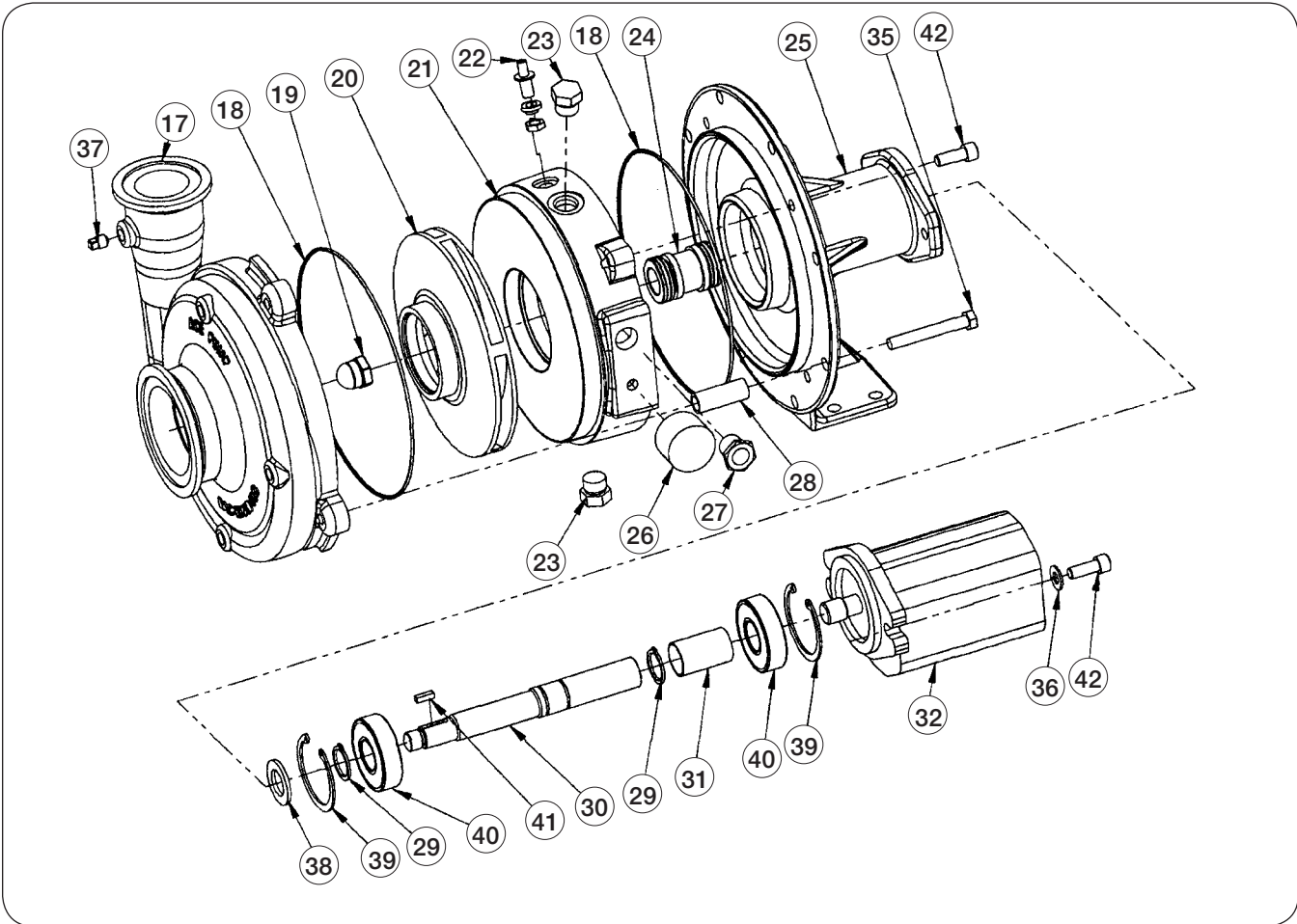
Hydraulically Driven Centrifugal PWM Pump - (ACE 750)

Please visit www.unverferth.com/parts/ for the most current parts listing.

ITEM	DESCRIPTION	PART NO.	QTY.	NOTES
	PWM Pump, 750	9008132	1	
	750 Pump Seal Repair Kit	9005519	-	Includes Items 2, 8, and 16
1	Volute, 300 x 220 Flange	9005502	1	
2	O-Ring	9005503	2	
3	Acorn Nut, 5/8-11 SS	9005504	1	
4	Impeller	9005505	1	
5	Seal Plate	9005506	1	
6	Air Valve, Clamp-In (for Tubeless Tire)	9005507	1	
7	Plug	9005508	1	Not Shown
8	Dual Seal Assembly	9005509	1	
9	Pump Mounting Frame	9005510	1	
10	Pump Pressure Gauge	9005511	1	
11	Oil Level Sight Gauge	9005512	1	
12	Spacer Tube	9005513	4	
13	Snap Ring	9005514	2	
14	Pump Shaft	9005515	1	
15	Shaft Spacer	9005516	1	
16	Royal Purple Barrier Fluid (Quart)	9005518	1.32	Qty. in quarts
17	Pump Repair Kit, ACE 750	9005519	1	Not Shown
18	PWM Hydraulic Motor Assembly	9008148	1	
18A	Valve	9008228	1	
18B	Coil	9008229	1	
18C	Reverse Check Assembly	9007530	1	
19	Adapter Plug, 3/4 x 1/8	9008257	1	
20	Capscrew, 3/8-16UNC x 2 3/4	9390-062	4	Grade 5
21	Flat Washer, 3/8	900902-037	3	
22	Adapter, 3/4 x 1/4	99928	1	
23	ACE Pipe Plug	TA826325	5	
24	Slinger, 7/8" Shaft	TA831022	1	
25	Snap Ring	TA831024	2	
26	Bearing	TA831026	2	
27	Key, .188 x .188 x .875	TA831030	1	
28	Capscrew, 3/8"NC x 1	TA831034	6	
29	Reducer 7/8-14 O-Ring Male x 3/4-16 O-Ring Female	98801	2	
30	Air Regulator	9006050	1	

Hydraulically Driven Centrifugal Pump - ACE HYD 750

Please visit www.unverferth.com/parts/ for the most current parts listing.



Hydraulically Driven Centrifugal Pump - ACE HYD 750

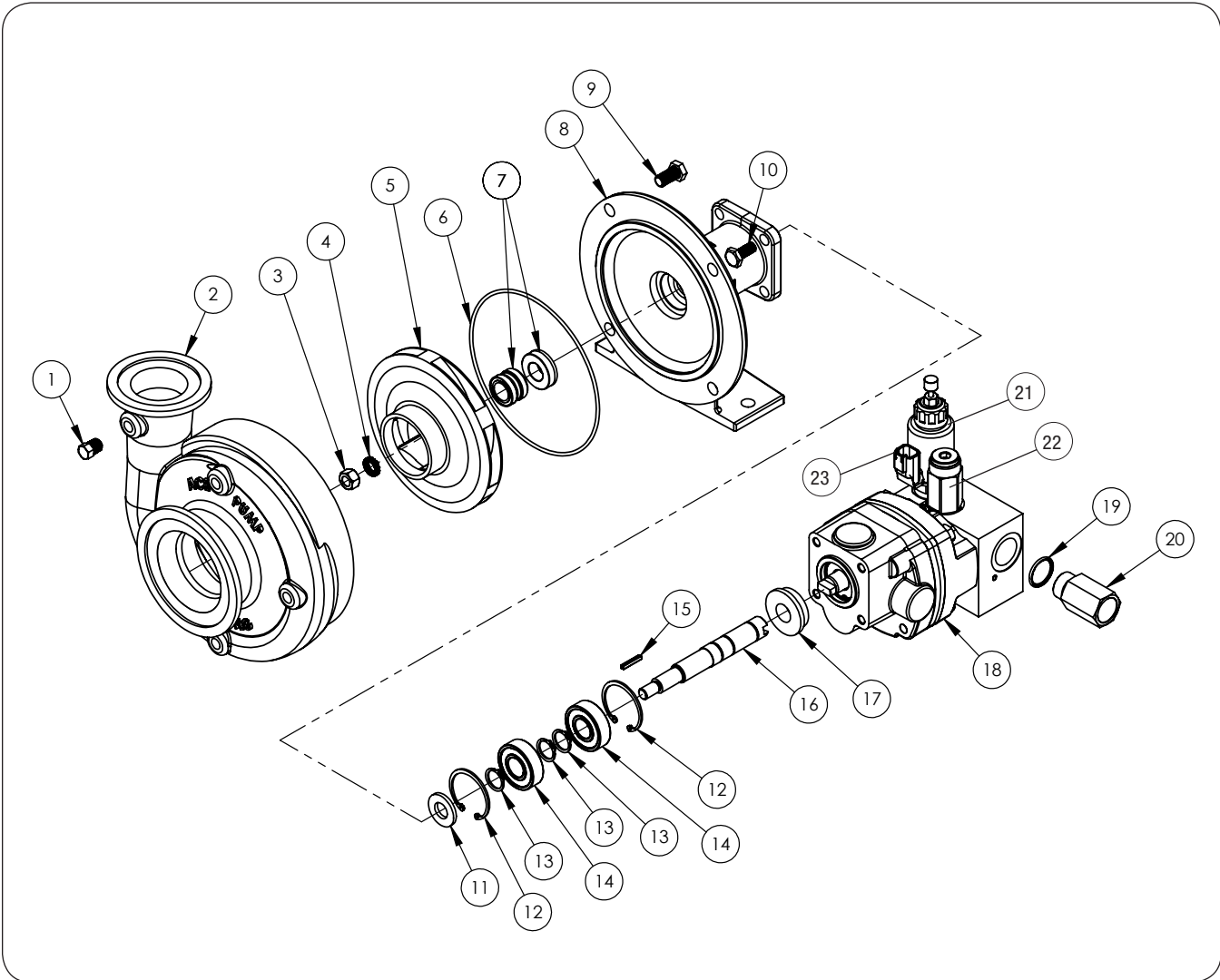
Please visit www.unverferth.com/parts/ for the most current parts listing.

ITEM	PART NUMBER	DESCRIPTION	QTY.	NOTES
16	9005840	Pump, 750	1	
17	9005502	Volute, 300 x 220 Flange	1	
18	9005503	O-Ring	2	
19	9005504	Acorn Nut, 5/8-11 SS	1	
20	9005505	Impeller	1	
21	9005506	Seal Plate	1	
22	9005507	Air Valve, Clamp-In (for Tubeless Tire)	1	
23	9005508	Plug	2	
24	9005509	Dual Seal Assembly	1	
25	9005510	Pump Mounting Frame	1	
26	9005511	Pump Pressure Gauge	1	
27	9005512	Oil Level Sight Gauge	1	
28	9005513	Spacer Tube	4	
29	9005514	Snap Ring	2	
30	9005515	Pump Shaft	1	
31	9005516	Shaft Spacer	1	
	9005781	Hydraulic Motor Shaft Seal Repair Kit	1	Not Shown
32	9005517	Hydraulic Motor, 18 GPM	1	
33	9005518	Royal Purple Barrier Fluid (Quart)		Not Shown
34	9005519	Pump Repair Kit, ACE 750	1	Not Shown
35	9390-062	Capscrew, 3/8-16UNC x 2 3/4	4	Grade 5
36	9405-076	Flat Washer, 3/8	2	
37	TA826325	ACE Pipe Plug	4	
38	TA831022	Slinger, 7/8" Shaft	1	
39	TA831024	Snap Ring	2	
40	TA831026	Bearing	2	
41	TA831030	Key, .188 x .188 x .875	1	
42	TA831034	Capscrew, 3/8"NC x 1	4	

1800 & 2600 NutriMax Liquid Applicator — Parts

Hydraulically Driven Centrifugal PWM Pump - FMCS 205F HYD 304

Please visit www.unverferth.com/parts/ for the most current parts listing.



1800 & 2600 NutriMax Liquid Applicator — Parts

Hydraulically Driven Centrifugal PWM Pump - FMCS 205F HYD 304

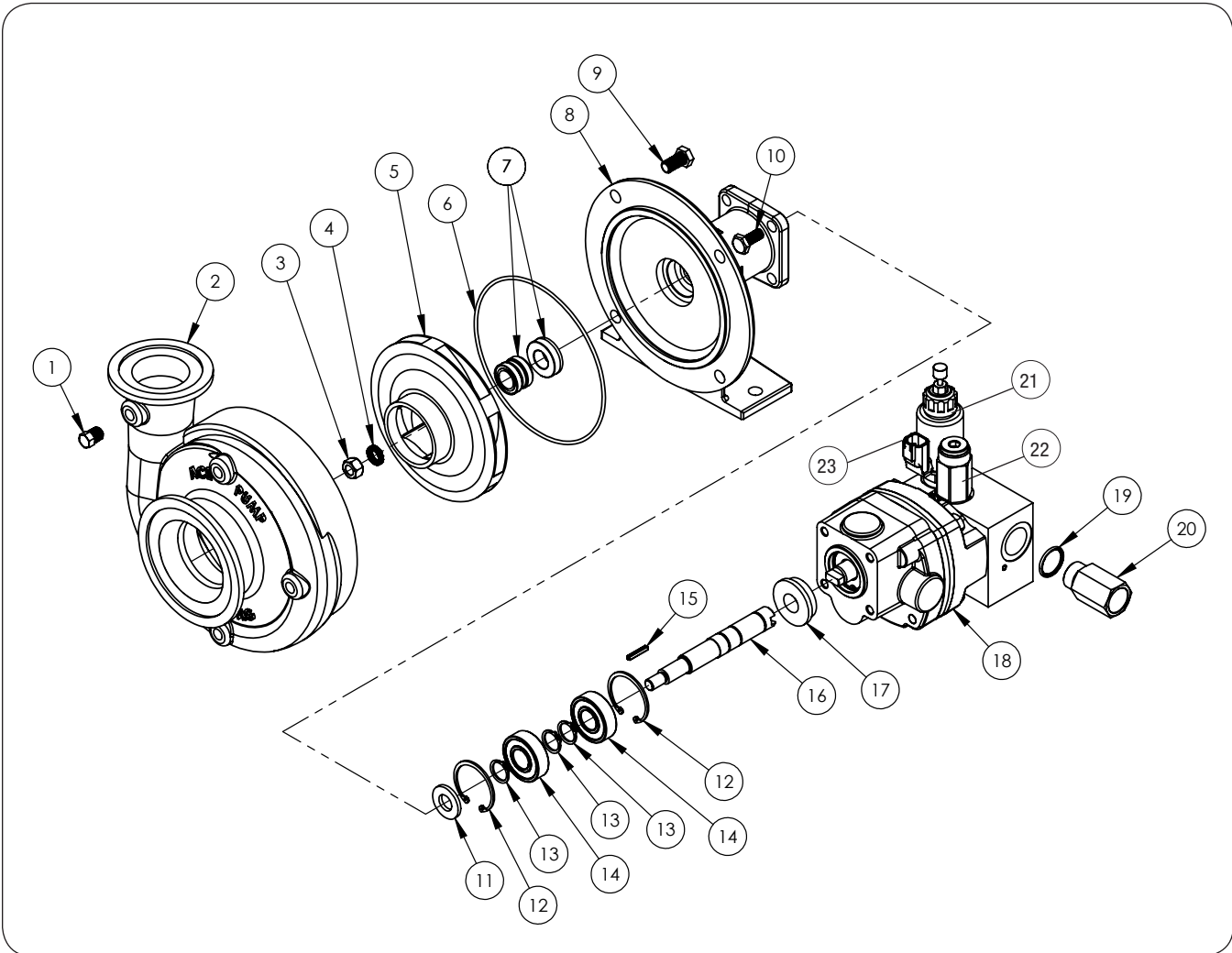
Please visit www.unverferth.com/parts/ for the most current parts listing.

ITEM	PART NUMBER	DESCRIPTION	QTY.	NOTES
	9007100	Pump Complete, ACE FMCS-205-HYD-304	1	Includes Items 1 thru 22
1	TA826325	Pipe Plug	4	
2	9007526	Volute, 300 Standard Flange x 220 Full Port Flange, Cast Iron	1	
	9005902	Repair Kit - FMC-205 Pump w/Carbide Shaft Seal	-	Not Shown
3	900901-005	Nut, 3/8" UNF, Stainless Steel	1	
4	9007531	Washer, 3/8", Stainless Steel, Self-Locking	1	
5	TA827920	Impeller, Thermoplastic	1	
	TA830732	Impeller, Cast Iron (Optional)		
6	TA827875	O-Ring	1	
7	9005894	Silicon Carbide Seal	1	
8	9005895	Mounting Frame, 205 Pump	1	
9	9390-053	Capscrew, 3/8-16UNC x 3/4	4	
10	TA829300	Capscrew, 5/16-18UNC x 3/4 (Motor to Pump)	4	
11	TA826275	Slinger	1	
12	9005897	Snap Ring, Internal	2	
13	9005898	Snap Ring, External	3	
14	9005899	Ball Bearing, Sealed	2	
15	TA830736	Key, 1/8 x 1/8 x 13/16" - Extended	1	
16	9005900	Shaft, Extended Keyway, Impeller	1	
17	9005901	Seal Support Spacer	1	
18	9007396	Hydraulic Motor, 304/205 - 11 GPM, PWM	1	
	TA830910	Repair Kit - Hydraulic Motor	-	Not Shown
19	TA831035	O-ring, #10 SAE fitting	1	
20	9007530	Reverse check assembly, #10 SAE x #10 SAE	1	
21	9007887	Cartridge Valve Assembly	1	
22	9007889	Pressure Reducing Valve Assembly	1	
23	9009262	PWM Pump Coil	1	

1800 & 2600 NutriMax Liquid Applicator — Parts

Hydraulically Driven Centrifugal PWM Pump - ACE 205 PWM (SS)

Please visit www.unverferth.com/parts/ for the most current parts listing.



1800 & 2600 NutriMax Liquid Applicator — Parts

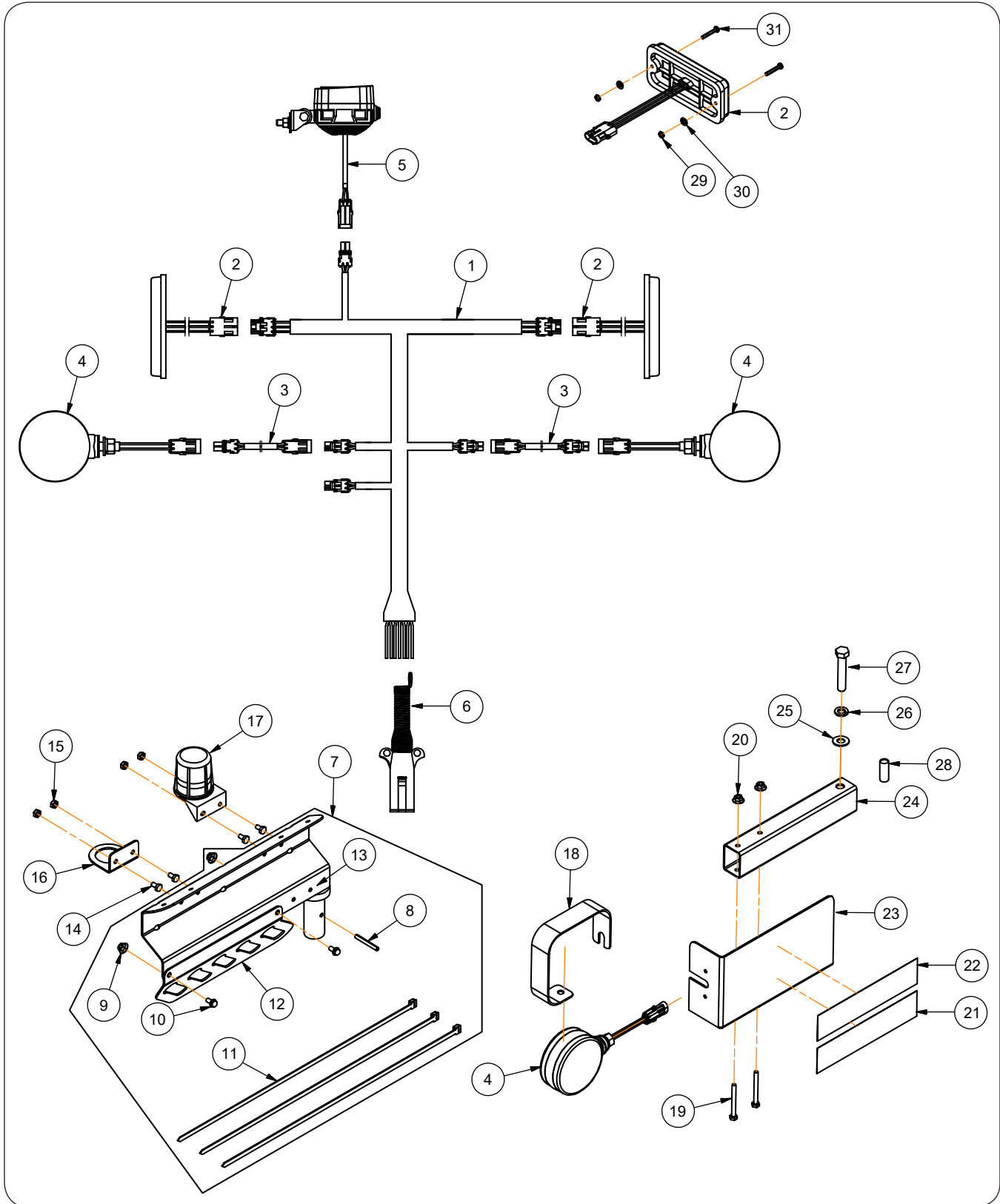
Hydraulically Driven Centrifugal PWM Pump - ACE 205 PWM (SS)

Please visit www.unverferth.com/parts/ for the most current parts listing.

ITEM	PART NUMBER	DESCRIPTION	QTY.	NOTES
	9007431	Pump Complete, ACE FMCSC-205-HYD-304	1	Includes Items 1 thru 22
1	TA826300	Pipe Plug, Stainless Steel	4	
2	9007527	Volute, 300 Standard Flange x 220 Full Port Flange, Stainless Steel	1	
	9005902	Repair Kit - FMC-205 Pump w/Carbide Shaft Seal	-	Not Shown
3	900901-005	Nut, 3/8" UNF, Stainless Steel	1	
4	9007531	Washer, 3/8", Stainless Steel, Self-Locking	1	
5	TA827920	Impeller, Thermoplastic	1	
	9007528	Impeller, Stainless Steel (Optional)		
6	TA827875	O-Ring	1	
7	9005894	Silicon Carbide Seal	1	
8	9007529	Mounting Frame, 205 Pump, Stainless Steel	1	
9	900900-053	Capscrew, 3/8-16UNC x 3/4	4	
10	TA829300	Capscrew, 5/16-18UNC x 3/4 (Motor to Pump)	4	
11	TA826275	Slinger	1	
12	9005897	Snap Ring, Internal	2	
13	9005898	Snap Ring, External	3	
14	9005899	Ball Bearing, Sealed	2	
15	TA830736	Key, 1/8 x 1/8 x 13/16" - Extended	1	
16	9005900	Shaft, Extended Keyway, Impeller	1	
17	9005901	Seal Support Spacer	1	
18	9007396	Hydraulic Motor, 304/205 - 11 GPM, PWM	1	
	TA830910	Repair Kit - Hydraulic Motor	-	Not Shown
19	TA831035	O-ring, #10 SAE fitting	1	
20	9007530	Reverse check assembly, #10 SAE x #10 SAE	1	
21	9007887	Cartridge Valve Assembly, 12-Volt Proportional	1	
22	9007889	Pressure Reducing Valve Assembly	1	
23	9009262	PWM Pump Coil, ACE 205	1	

Main Electrical Components

Please visit www.unverferth.com/parts/ for the most current parts listing.



Main Electrical Components

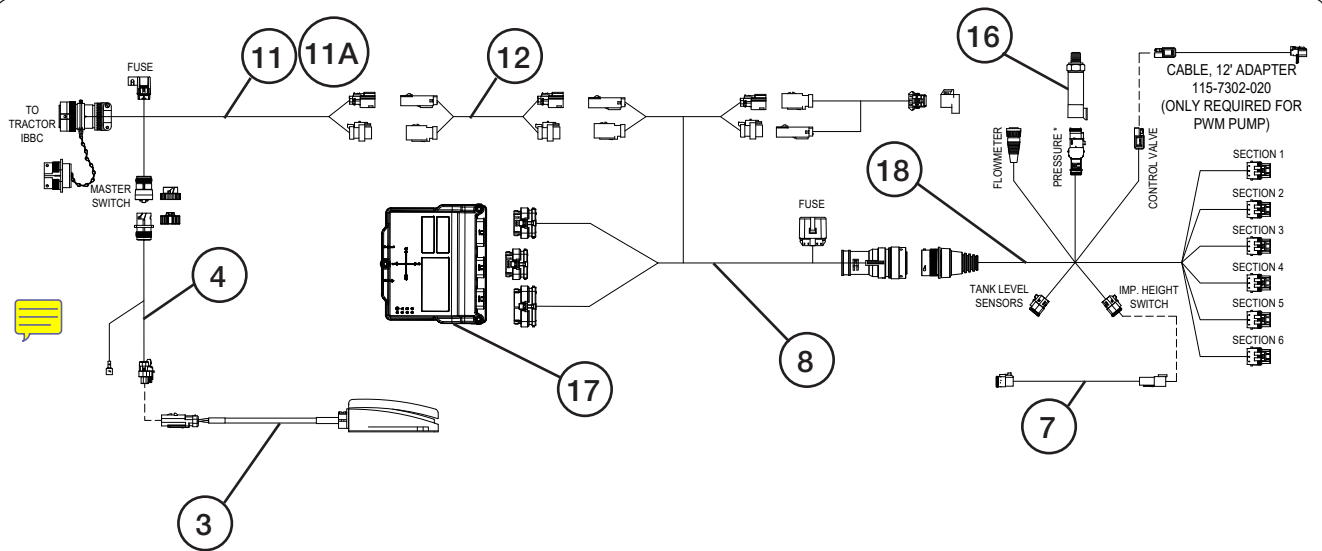
Please visit www.unverferth.com/parts/ for the most current parts listing.

ITEM	PART NUMBER	DESCRIPTION	QTY.	NOTES
1	9007224	Main Light Harness	1	
2	9006282	Tail Light Red (LED)	2	
3	9007310	Extension Harness 516"	2	
4	9005142	Lamp - Amber (LED) Double Face	2	
5	9500801	Work Light w/ Mounting Hardware	1	
6	92450	7-Way Plug	1	
7	415534B	Hose Caddy Replacement Kit (Black)	1	Includes Items 8 - 13 For SN B41810099 & Lower
	8	9392-140	Roll Pin 1/4" Dia. x 2	1
	9	91257	Hex Nut/Large Flange 5/16-18UNC	2
	10	91256	Screw/Large Flange 5/16-18UNC x 3/4	2
	11	9000104	Cable Tie 21 1/2" x 5/16"	3
	12	415536	Hose Caddy Plate	1
	13	415532B	Hose Caddy Weldment =Black=	1
14	9390-001	Capscrew 1/4-20UNC x 1/2	4	Grade 5
15	9936	Locknut 1/4-20UNC	4	
16	281837B	Plate Holder (Black)	1	
17	9001968	Connector Holder	1	
18	268678B	Light Guard Plate	2	
19	9390-011	Capscrew 1/4-20UNC x 2 1/2	4	Grade 5
20	97189	Hex Nut/Large Flange 1/4-20UNC	4	
21	9003125	Fluorescent Strip	2	
22	9003126	Reflector Red	2	
23	252304B	LH Light Bracket Plate (Black) SHOWN	1	
	252303B	RH Light Bracket Plate (Black)	1	
24	285771B	Light Tube (Black)	2	
25	9405-086	Flat Washer 1/2" SAE	2	
26	9404-025	Lock Washer 1/2"	2	
27	9390-106	Capscrew 1/2-13UNC x 2 3/4	2	Grade 5
28	411336B	Tube Spacer (Black)	2	
29	9830-016	Hex Nut #10-32UNF	4	Grade 2
30	9404-013	Lock Washer #10	4	
31	903172-350	Pan Head Phillips Screw #10-32UNF x 1 1/4	4	

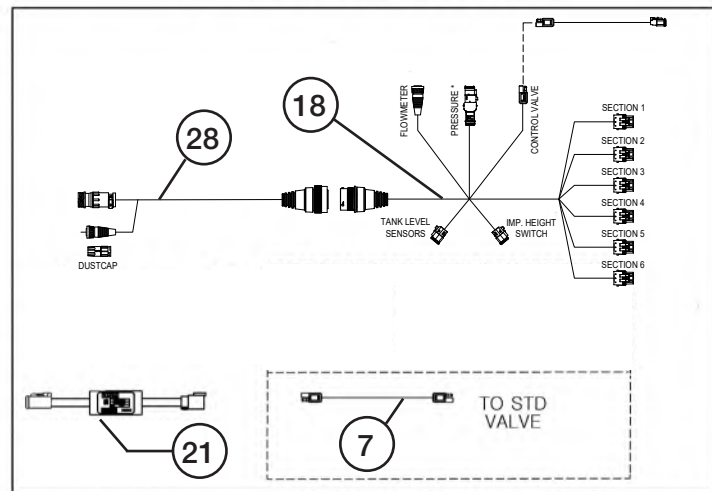
1800 & 2600 NutriMax Liquid Applicator — Parts

Rate Control Module (RCM) Electrical Components

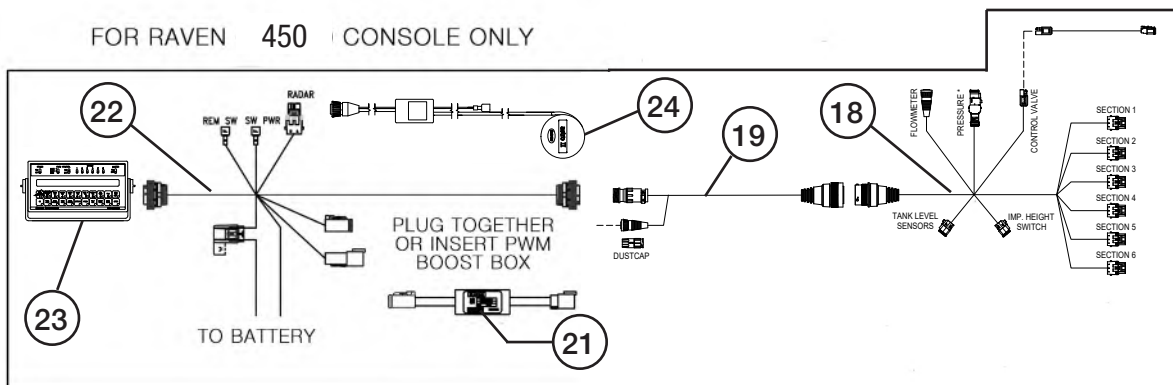
Please visit www.unverferth.com/parts/ for the most current parts listing.



FOR ALL NON RAVEN ISO UNITS

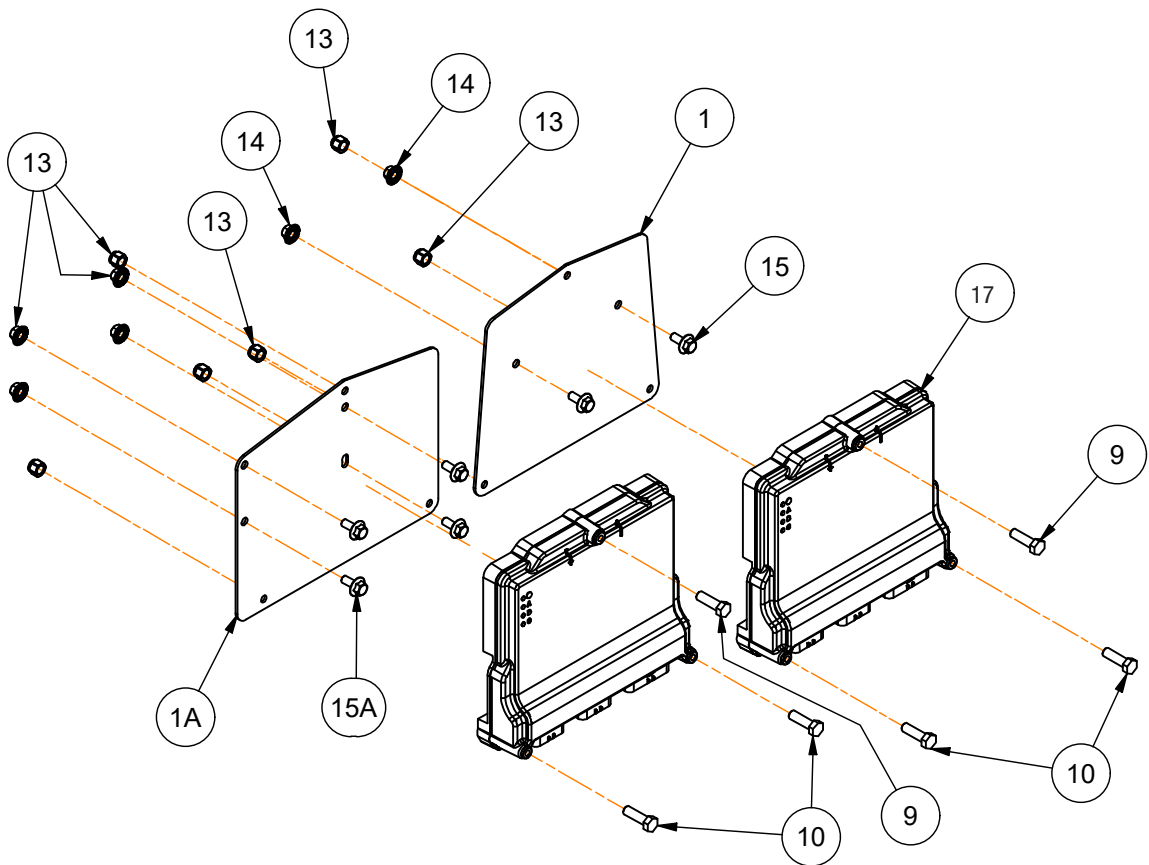
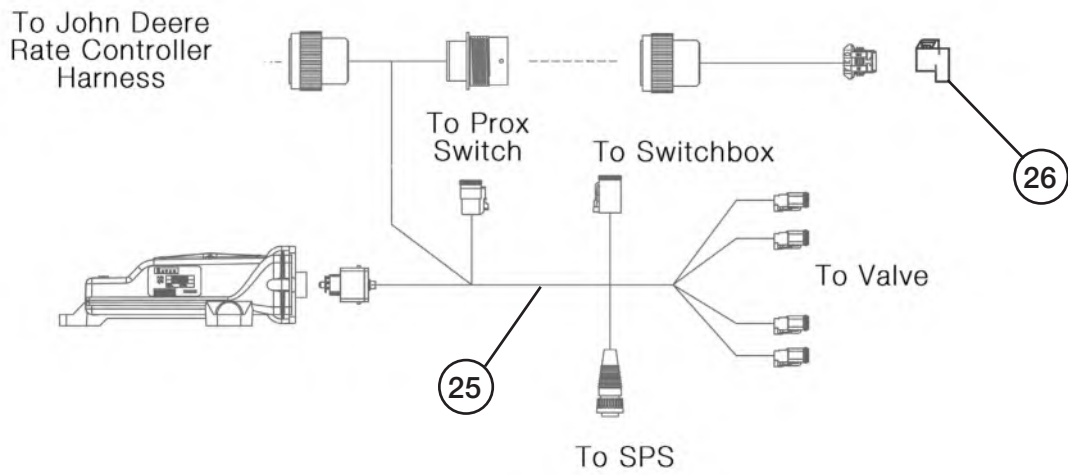


FOR RAVEN 450 CONSOLE ONLY



Rate Control Module (RCM) Electrical Components

Please visit www.unverferth.com/parts/ for the most current parts listing.



1800 & 2600 NutriMax Liquid Applicator — Parts

Rate Control Module (RCM) Electrical Components

Please visit www.unverferth.com/parts/ for the most current parts listing.

ITEM	PART NUMBER	DESCRIPTION	QTY.	NOTES
1	415118B	Node Mount Plate =Black=	1	For 60' - 90' Units
1A	415120B			For 40' - 44' Units
2	9000106	Cable Tie (Not Shown)	10	For 60' - 90' Units
			12	For 40' - 44' Units
3	9005916	Foot Switch ISO Note w/Harness	1	
4	9503390	Switch Extension Cable 23 FT	1	
5	9006885	Panel Nut (Size 24)	1	Not Shown
6	9006886	Lock Washer Connector (Size 24)	1	Not Shown
7	9007524	Extension Harness	1	For 60' - 90' Units
8	9008095	RAVEN CONTROL MODULE CABLE	1	
9	900900-011	Capscrew 1/4"-20UNC x 2 1/2" (SS)	1	
10	900900-013	Capscrew 1/4"-20UNC x 3" (SS)	2	
11	9009018	GEN 1 ISO TO IBIC HITCH - 24 FT CABLE	1	For 60' - 90' Units
11A	9503387	GEN 1 ISO TO IBIC HITCH - 12 FT CABLE	1	For 40' - 44' Units
12	9009019	GEN 1 ISO - 9 FT EXTENSION CABLE	1	For 60' - 90' Units
13	900905-007	ELASTIC STOP NUT 1/4"-20 UNC (SS)	3	For 60' - 90' Units
			7	For 40' - 44' Units
14	900905-010	ELASTIC STOP NUT 5/16"-18 UNC (SS)	2	For 60' - 90' Units
15	9503176	BUTTON HEAD SOCKET CAPSCREW 5/16"-18UNC x 3/4" (SS)	2	For 60' - 90' Units
15A	9008010	BUTTON HEAD SOCKET CAPSCREW 1/4"-20UNC x 3/4" (SS)	4	For 40' - 44' Units
16	9503299	PRESSURE TRANSDUCER	1	
17	9503386	RATE CONTROL MODULE	1	
18	9503472	WIRE HARNESS 6 FT FLOW CABLE 6 SECTION	1	
19	9503471	WIRE HARNESS 30 FT, 16-PIN CONSOLE	1	
21	9007550	Boost Box Harness	1	
22	9007549	Console Control Harness	1	
23	TA720315	SCS Control Console	1	
24	TA723025	GPS Speed Sensor	1	
25	9009029	Steerable Hitch Harness GEN 1 ISO Nutrimax	1	
26	9005921	Terminator Powell	1	
27	411878	Nutrimax Quick Reference Guide	1	Not Shown
28	9009175	Rate Harness 360" - 47 to 37 Pin	1	

Notes

Please visit www.unverferth.com/parts/ for the most current parts listing.



Unverferth[®]

Manufacturing Company, Inc. www.unverferth.com